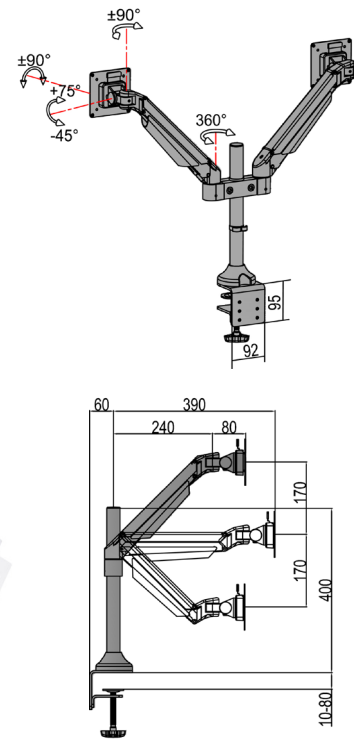




Ready when you are.



# M VESA Gas Lift Arm Dual White

Art No: 7 350 022 737 181

The M VESA Gas Lift Arm is made out of a durable aluminum construction and uses a gas driven suspension technique. This makes the screen "float" and it can then be moved with near zero effort. Fingertip tilt provides smooth adjustment in any direction. Sup-

ports VESA standards 75x75 and 100x100 and holds screens weighing from minimum 2kg and up to maximum 10kg. The M Vesa Gas Lift Arm Dual holds to your standard workdesk (max 50mm), or assemble it using a workdesk thru hole technique.

## SPECIFICATIONS

M VESA Gas Lift Arm Dual White	
For screen size:	15-(32")*
VESA standard:	75x75 100x100 mm
EAN:	7 350 022 737 181
Colour:	Black
Screen weight:	Min. 2 kg — Max. 10 kg
Function:	Gas driven piston
Warranty:	2 years
Weight:	5,9 kg
Tilt angle:	+75 — -45 degrees
Turn angle:	+90 — -90 degrees
Rotate:	90 degrees
Distribution package:	3 pcs
Single box size:	54x22x14cm

