

**24HFL2849T/12**

**32HFL2849T/12**

**43HFL2849T/12**

**49HFL2849T/12**

User manual

Руководство пользователя

Brugervejledning

Käyttöohje

Mode d'emploi

Bedienungsanleitung

Användarmanual

Manuale utente

Gebruikershandleiding

Brukerveiledning

Instrukcja obsługi

Посібник користувача

Manual del usuario

دليل المستخدم

**PHILIPS**

**Contents**

Notifications, features and accessories ..... 5

Energy efficiency ..... 5

TV scroll button..... 5

Switching on/off ..... 5

First time installation..... 5

Play media files from a USB drive ..... 6

Media browser menu ..... 6

CEC ..... 7

Change TV settings ..... 7

Display options ..... 7

Sound options..... 7

Configuring parental settings..... 7

Electronic program guide (EPG)..... 8

Update your TV ..... 8

Troubleshooting & Tips ..... 9

PC input typical display modes ..... 11

AV and HDMI signal compatibility..... 11

Supported Video File Formats for USB Mode ..... 12

Supported Picture File Formats for USB Mode ... 12

Supported Audio File Formats for USB Mode ..... 13

Supported Subtitle File Formats for USB Mode .. 14

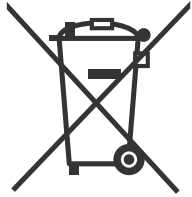
## Important

'Read and understand all information in the accompanying Safety booklet before you install and use your TV. If damage is caused by failure to follow these instructions, the warranty does not apply.'

### Disposal of old Equipment and Batteries

Please do not dispose of this TV or battery as general household waste. If you want to dispose of this product or battery, please consider the collection systems or facilities for appropriate recycling.

**Notice:** The sign Pb below the symbol for batteries indicates that this battery contains lead.



**Products**



**Battery**



1. **Standby:** Switches On / Off the TV
2. **Text:** Displays teletext (where available), press again to superimpose the teletext over a normal broadcast picture (mix)
3. **Stop:** Stops the media being played
4. **Screen:** Changes the aspect ratio of the screen
5. **Source:** Shows all available broadcast and content sources
6. **Menu:** Displays TV menu
7. **Swap:** Quickly cycles between previous and current channels or sources  
If the **Hotel Mode** is set to **On**, a press of this button switches along the Network Channel Types DVB-T&Analogue, DVB-Cable&Analogue and DVB-Satellite&Analogue
8. **Navigation buttons:** Helps navigate menus, content etc. and displays the subpages in TXT mode when pressed Right or Left
9. **Programme - / Page -** (in TXT mode)
10. **Volume -**
11. **Green button:** Follow the on-screen instructions for coloured button functions
12. **Red button:** Follow the on-screen instructions for coloured button functions
13. **Numeric buttons:** Switches the channel, enters a number or a letter in the text box on the screen.
14. **Subtitles:** Turns subtitles on and off (where available)
15. **Language:** Switches between sound modes (analogue TV), displays and changes audio/subtitle language (digital TV, where available)
16. **Blue button:** Follow the on-screen instructions for coloured button functions
17. **Yellow button:** Follow the on-screen instructions for coloured button functions
18. **Volume +**
19. **Mute:** Completely turns off the volume of the TV
20. **Programme + / Page +** (in TXT mode)
21. **Return/Back:** Returns to previous screen, opens index page (in TXT mode)
22. **OK:** Confirms user selections, holds the page (in TXT mode), views channel list
23. **Info:** Displays information about on-screen content, shows hidden information (reveal - in TXT mode)
24. **Play:** Starts to play selected media
25. **Pause:** Pauses the media being played
26. **Sleep:** Sets your TV to shut down automatically
27. **EPG (Electronic programme guide):** Displays the electronic programme guide

**Note:** The Remote Control range is approximately 7m / 23ft.

## Teletext

Press **Text** button to view teletext information. Press again to activate mix mode, which allows you to see the teletext page and the TV broadcast at the same time. Press once more to exit. If available, sections or pages in teletext will become color-coded and can be selected by pressing the colored buttons. Use either the navigation or the **Programme +/-** buttons to browse the pages. The operation method may differ depending on the contents of the teletext. Follow the instructions displayed on the screen.

## Notifications, features and accessories

### Energy efficiency

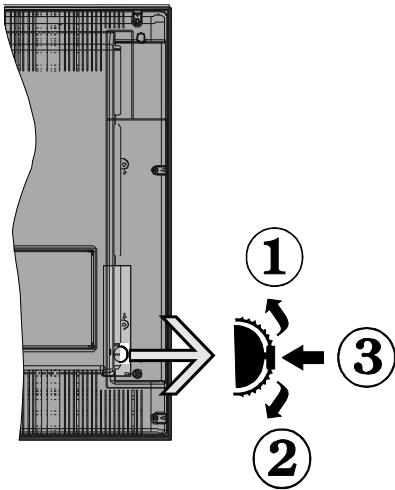
This TV is designed with energy efficiency features:

- **Energy Saving:** You can apply a combination of energy saving picture settings. While you watch TV, press the **Menu** button and, the **Energy Saving** settings can be found in the **Picture** section of the Main Menu.
- **Picture off mode:** If you only want to listen to audio from the TV, you can switch off the display. Other functions continue to operate normally. While you watch TV, press **Menu** button and select **Picture**, and from there select the **Energy Saving** option. Press Right button while **Auto** option is selected or Left button while **Custom** option is selected. A message will be displayed on the screen. Select **Proceed** and press **OK** to turn the screen off immediately. If you don't press any button, the screen will be off in 15 seconds. Press any button on the remote or on the TV to turn the screen on again.

**Note:** **Screen Off** option is not available if the Mode is set to **Game**. Disconnect your TV from the mains plug in case your TV is going to be inactive for a long time.

### TV scroll button

The TV Scroll button on the side of the TV allows you to control the volume, change channels and put the TV into standby.



**To change volume:** Increase the volume by scrolling up. Decrease the volume by scrolling down.

**To change channel:**

- Press the middle of the scroll button in, the channel information banner will appear on screen.
- Scroll through the stored channels by pushing the button up or down.

**To change source:**

- Press the middle of the button in twice (for the second time in total), the source list will appear on screen.
- Scroll through the available sources by pushing the button up or down.

**To switch the TV to standby:** Press the middle of the button in and hold it down for a few seconds, the TV will turn into standby mode.

**To switch the TV on from standby:** Press the middle of the button in, the TV will turn on.

**Notes:**

*If you turn the TV off, this circle starts again beginning with the volume setting.*

*Main menu OSD cannot be displayed via control button.*

### Switching on/off

**To switch the TV on**

To switch on the TV from standby mode either:

- Press the **Standby** button, **Programme +/-** or a numeric button on the remote control.
- Press the middle of the side function switch on the TV in.

**Note:** *If the TV has been left on and not been operated for a while, the TV will go into standby. When you next switch-on, the following message will be displayed. "Standby Cause No Operation", Press OK to continue.*

**To switch the TV off**

- Press the **Standby** button on the remote control or press the middle of the side function switch on the TV in and hold it down for a few seconds, the TV will switch into standby mode.

**Note:** *To power down the TV completely, unplug the power cord from the mains socket.*

### First time installation

You will see the language selection screen when you first turn on your TV. Select your preferred language and press **OK**.

**Note:** *If a USB device is connected to the TV, you can press the **GREEN** button on the remote before continuing, in order to load the NVRAM data (service list, preferences, etc.) from the USB device which is uploaded from another Philips Hotel TV. Refer to the "Copy To USB" and "Copy From USB" sections under the **Hotel Mode** title on the pages at the end of this manual.*

*If the correct software update file is pre-installed in the USB device, you can press the **RED** button on the remote before continuing, in order to upgrade your TV's software. The software update file should be named as "VES162HE\_upgrade.bin" or "Philips\_upgrade\_mb110.bin".*

*Software upgrade via an USB device can be done anytime by using the hidden key combination, "Menu-1-5-0-5".*

On the next screen, set your preferences using the directional buttons and when finished, press **OK** to continue.

You can set up your TV by following the First Time Installation (FTI) screen with the following selections.

## Digital Aerial installation

If **Digital Aerial** broadcast search option is turned on, the TV will search for digital terrestrial broadcasts after other initial settings are completed.

## Digital Cable installation

If **Digital Cable** broadcast search option is turned on, the TV will search for digital cable broadcasts after other initial settings are completed. According to your other preferences a confirmation message may be displayed before starting to search. For automatic installation in case your Cable network supplier supports a Network-ID based installation (e.g. Unitymedia), select **Yes** and press **OK**.

In case your Cable network supplier does not support a Network-ID based installation please select **No**, press **OK** and follow the instruction on the screen.

You can also select frequency ranges from this screen. Enter the frequency range manually by using the numeric buttons.

**Note:** Searching duration will change depending on the selected **Search Step**.

## Analogue installation

If **Analogue** broadcast search option is turned on, the TV will search for analogue broadcasts after other initial settings are completed.

Additionally you can set a broadcast type as your favourite one. Priority will be given to the selected broadcast type during the search process and the channels of it will be listed on the top of the **Channel List**. When finished, press **OK** to continue.

**Home Mode / Store Mode** selection screen follows. It is recommended to select **Home Mode** for home use.

After the initial settings are completed TV will start to search for available broadcasts of the selected broadcast types.

While the search continues a message may appear, asking whether you want to sort channels according to the LCN(\*). Select **Yes** and press **OK** to confirm.

(\* *LCN is the Logical Channel Number system that organizes available broadcasts in accordance with a recognizable channel number sequence (if available).*

After all the available stations are stored, scan results will be displayed. Press **OK** to continue. The **Edit Channel List** will be displayed next. Press **Menu** button to quit **Edit Channel List** and watch TV.

**Note:** Do not turn off the TV while initializing first time installation. Note that, some options may not be available depending on the country selection.

## Play media files from a USB drive

You can play photo, music and movie files stored on a USB disk by connecting it to your TV. Connect a USB disk to one of the USB inputs located on the rear side of the TV. The USB device will be automatically recognized by the TV and **Media Browser** menu will be displayed. You can also access to **Media Browser** menu from the main TV menu. Press the **Menu** button, select **Media Browser** from the list and press the **OK** button to enter.

After selecting a desired media type in the main **Media Browser** menu, pressing the **Menu** button will access the **Picture**, **Sound** and **Settings** menu options. Pressing the **Menu** button again will exit from this screen. You can set your **Media Browser** preferences by using the **Settings** menu.

To enable **Auto Play** feature highlight this option in the **Settings** menu and set as **On** using the directional buttons. When this feature is enabled, the TV detects connected USB devices and searches for media files.

Photo files are searched first. If no photo files are found, the program searches for Video files. If no Video files are found, the program searches for Audio files.






After finding a file to play, the format of this file will be selected as a constant choice and each file with this format will be played in an infinite loop. Using the remote control to exit etc. will interrupt the playing of the file(s) and break the play loop.

When the TV cannot find any media files, the main media browser menu will be displayed on the screen. Set the **View Style** as **Flat** to make all files searched in all sub-folders in the USB device.

**Note:** If the TV is in standby mode, this feature will not be available.

**IMPORTANT!** Back up your files before making any connections to the TV. The manufacturer will not be responsible for any file damage or data loss. Certain types of USB devices, for example, MP3 players or USB hard disk drives/memory sticks may not be compatible with this TV.

## Media browser menu

<i>Loop/Shuffle Mode Operation</i>	
Start playback with the <b>Play</b> button and activate 	All files in the list will be continuously played in original order
Start playback with the <b>OK</b> button and activate 	The same file will be played continuously (repeat)
Start playback with the <b>Play</b> button and activate 	All files in the list will be played once in random order
Start playback with the <b>Play</b> button and activate  	All files in the list will be continuously played in the same random order

## CEC

This function allows to control the CEC-enabled devices, that are connected through HDMI ports by using the remote control of the TV.

The **CEC** option in the **Settings>More** menu should be set as **Enabled** at first. Press the **Source** button and select the HDMI input of the connected CEC device from the **Sources list** menu. When new CEC source device is connected, it will be listed in source menu with its own name instead of the connected HDMI ports name (such as DVD Player, Recorder 1 etc.).

The TV remote is automatically able to perform the main functions after the connected HDMI source has been selected.

To terminate this operation and control the TV via the remote again, press and hold the "0-Zero" button on the remote control for 3 seconds. This feature can also be enabled or disabled under the **Settings>More** menu.

The TV supports also ARC (Audio Return Channel) feature. This feature is an audio link meant to replace other cables between the TV and the audio system (A/V receiver or speaker system).

When ARC is active, TV does not mute its other audio outputs automatically. So you need to decrease TV volume to zero manually, if you want to hear audio from connected audio device only (same as other optical or co-axial digital audio outputs). If you want to change connected device's volume level, you should select that device from the source list. In that case volume control keys are directed to connected audio device.

**Note:** ARC is supported only via the HDMI1 input.

### System Audio Control

Allows an Audio Amplifier/Receiver to be used with the TV. The volume can be controlled using the remote control of the TV. To activate this feature set the **Speakers** option in the **Settings>More** menu as **Amplifier**. The TV speakers will be muted and the sound of the watched source will be provided from the connected sound system.

**Note:** The audio device should support System Audio Control feature and CEC option should be set as Enabled.

### Change TV settings

To access the options listed below;

- 1- Press the **Menu** button
- 2- Highlight your selection
- 3- Press **OK** to confirm

## Display options

**Mode:** Changes the picture mode to one of the following: **Cinema**, **Game(\*)**, **Sports**, **Dynamic** and **Natural**.

(\*) *Game mode option may not be available depending on the current source selection.*

**Contrast:** Sets the light and dark values of the image.

**Brightness:** Sets the brightness value of the image.

**Sharpness:** Sets the sharpness value. A high sharpness value may result in a clearer, crisper image depending on the content.

**Colour:** Sets the color value.

**Backlight:** Controls the brightness of the backlight. The backlight function will be inactive if the **Energy Saving** is set to an option other than **Custom**.

## Sound options

**Volume:** Adjusts volume level.

**Equalizer:** Changes the equalizer mode.

**Balance:** Adjusts whether the sound is coming mainly from the right or left speakers.

**Headphone:** Sets headphone volume. This option will be inactive if the **Headphone/Lineout** option is set to **Lineout**.

**Sound mode:** Sets the preferred sound mode.

**AVL:** Sets a limit to maximum volume output.

**Headphone/Lineout:** This option should be set to **Headphone** if you have headphones or **Lineout** if you have external amplifier connected to the headphone jack.

**Dynamic bass:** Enables or disables the Dynamic Bass. Increases the range of bass.

**Surround sound:** Surround sound mode can be changed as **On** or **Off**.

**Digital Out:** Sets digital out audio type.

## Configuring parental settings

This feature is for restricting access to selected content. It is controlled by a pin number defined by you. These settings are located in the **Settings>Parental** menu.

**Note:** Default PIN can be set to **0000** or **1234**. If you have defined the PIN (is requested depending on the country selection) during the **First Time Installation** use the PIN that you have defined.

*Some options may not be available depending on the country selection in the **First Time Installation**.*

**Menu lock:** Menu lock setting enables or disables the menu access.

**Maturity lock (optional):** If this option is set, TV gets the maturity information from the broadcast and if this maturity level is disabled, disables access to the broadcast.



**Child lock (optional):** When Child Lock is set, the TV can only be controlled by the remote control. In this case the control panel buttons will not work.

**Guidance (optional):** This setting enables or disables access some of the MHEG applications. Disabled applications can be released by entering the right PIN.

**Set PIN:** Defines a new PIN number.

**Default CICAM PIN:** This option will appear as greyed out if no CI module is inserted into the CI slot of the TV. You can change the default PIN of the CI CAM using this option.

## Electronic program guide (EPG)

Some channels send information about their broadcast schedules. Press the **Epg** button to view the EPG menu.

There are 3 different types of schedule layouts available, **Timeline Schedule**, **List Schedule** and **Now/Next Schedule**. To switch between them follow the instructions on the bottom of the screen.

### Timeline Schedule

**Zoom (Yellow button):** Press the **Yellow** button to see events in a wider time interval.

**Filter (Blue button):** Views filtering options.

**Select Genre (Subtitles button):** Displays **Select Genre** menu. Using this feature, you can search the program guide database in accordance with the genre. Info available in the program guide will be searched and results matching your criteria will be highlighted.

**Options (OK button):** Displays event options.

**Event Details (Info button):** Displays detailed information about selected events.

**Next/Prev Day (Program +/- buttons):** Displays the events of previous or next day.

**Search (Text button):** Displays **Guide Search** menu.

**Now (Swap button):** Displays current event of the highlighted channel.

### List Schedule(\*)

(\*) *In this layout option, only the events of the highlighted channel will be listed.*

**Prev. Time Slice (Red button):** Displays the events of previous time slice.

**Next/Prev Day (Program +/- buttons):** Displays the events of previous or next day.

**Event Details (Info button):** Displays detailed information about selected events.

**Filter (Text button):** Views filtering options.

**Next Time Slice (Green button):** Displays the events of next time slice.

**Options (OK button):** Displays event options.

## Now/Next Schedule

**Navigate (Directional buttons):** Press the **Directional buttons** to navigate through the channels and events.

**Options (OK button):** Displays event options.

**Event Details (Info button):** Displays detailed information about selected events.

**Filter (Blue button):** Views filtering options.

### Event Options

In EPG menu, press the **OK** button to open the **Event Options** menu.

**Select Channel:** In EPG menu, using this option, you can switch to the selected channel.

**Set Timer on Event / Delete Timer on Event:** After you have selected an event in the EPG menu, press the **OK** button. Select the **Set Timer on Event** option and press the **OK** button. You can set a timer for future events. To cancel an already set timer, highlight that event and press the **OK** button. Then select **Delete Timer on Event** option. The timer will be cancelled.

## Update your TV

Navigate on your main menu, choose **Settings>More**, the version of the current software is displayed.

**CAUTION:** *Do not install a lower version of software than the current version installed on your product. TP Vision cannot be held liable or be made responsible for problems caused by a software downgrade.*

### Update with USB

Before you update the software, make sure that you have:

- A USB storage device that has at least 256 megabytes of storage space, is FAT32 or DOS formatted and has its write protection disabled.
- Access to a computer with a USB connector and Internet access.

Navigate to [www.philips.com/support](http://www.philips.com/support), and follow the software update instructions.

### Automatic update from digital broadcast

While the TV is connected to an aerial signal. If **Automatic scanning** in the **Upgrade options** menu is **Enabled**, the TV wakes up at 03:00 and searches broadcast channels for new software upgrades. If new software is found and downloaded successfully, the next time the TV powers up, it will have the new software version. To open the **Upgrade options** menu, enter the **Settings>More** menu, highlight **Software upgrade** and press the **OK** button.

**Note:** *Do not unplug the power cord while led is blinking during the reboot process. If the TV fails to come on after the upgrade unplug the TV for 2 minutes and plug in again.*

## Troubleshooting & Tips

### **Tv will not turn on**

Make sure the power cord is plugged in securely to wall outlet. Check if batteries are exhausted. Press the Power button on the TV.

### **Poor picture**

- Check if you have selected the correct TV system.
- Low signal level can cause picture distortion. Please check antenna access.
- Check if you have entered the correct channel frequency if you have done manual tuning.
- The picture quality may degrade when two devices are connected to the TV at the same time. In such a case, disconnect one of the devices.

### **No picture**

- This means your TV is not receiving any transmission. Make sure the correct source has been selected.
- Is the antenna connected properly?
- Is the antenna cable damaged?
- Are suitable plugs used to connect the antenna?
- If you are in doubt, consult your dealer.

### **No sound**

- Check if the TV is muted. Press the **Mute** button or increase the volume to check.
- Sound may be coming from only one speaker. Check the balance settings from **Sound** menu.

### **Remote control - no operation**

- The batteries may be exhausted. Replace the batteries.

### **Input sources - can not be selected**

- If you cannot select an input source, it is possible that no device is connected. If not;
- Check the AV cables and connections if you are trying to switch to the input source dedicated to the connected device.

## Specifications

<b>TV Broadcasting</b>	PAL BG/DK/II' SECAM BG/DK			
<b>Receiving Channels</b>	VHF (BAND I/III) - UHF (BAND U) - HYPERBAND			
<b>Digital Reception</b>	Fully integrated digital terrestrial-cable TV(DVB-T-C) (DVB-T2 compliant)			
<b>Number of Preset Channels</b>	1.000			
<b>Channel Indicator</b>	On Screen Display			
<b>RF Aerial Input</b>	75 Ohm (unbalanced)			
<b>Operating Voltage</b>	220-240V AC, 50Hz.			
<b>Audio</b>	German+Nicam Stereo			
<b>Display</b>	24"	32"	43"	49"
<b>Audio Output Power (WRMS.) (10% THD)</b>	2x2,5W	2x6W	2x8W	2x8W
<b>Power Consumption (W)</b>	45W	65W	75W	75W
<b>Weight (Kg)</b>	3,45 kg	5,60 kg	9,30 kg	11,35 kg
<b>TV Dimensions DxLxH (with foot) (mm)</b>	134x554x370 mm	185x735x478 mm	220x974x615 mm	220x1112x692 mm
<b>TV Dimensions DxLxH (without foot) (mm)</b>	35(min)/61(max)x554x339mm	77(min)/89(max)x735x438mm	64(min)/93(max)x974x572mm	60(min)/91(max)x1112x653mm
<b>Operation temperature and operation humidity</b>	0°C up to 40°C, 85% humidity max			

## PC input typical display modes

The following table is an illustration of some of the typical video display modes.

Index	Resolution	Frequency
1	640x350	85Hz
2	640x400	70Hz
3	640x480	60Hz
4	640x480	66Hz
5	640x480	72Hz
6	640x480	75Hz
7	640x480	85Hz
8	800x600	56Hz
9	800x600	60Hz
10	800x600	70Hz
11	800x600	72Hz
12	800x600	75Hz
13	800x600	85Hz
14	832x624	75Hz
15	1024x768	60Hz
16	1024x768	66Hz
17	1024x768	70Hz
18	1024x768	72Hz
19	1024x768	75Hz
20	1024x768	85Hz
21	1152x864	60Hz
22	1152x864	70Hz
23	1152x864	75Hz
24	1152x864	85Hz
25	1152x870	75Hz
26	1280x768	60Hz
27	1360x768	60Hz
28	1280x768	75Hz
29	1280x768	85Hz
30	1280x960	60Hz
31	1280x960	75Hz
32	1280x960	85Hz
33	1280x1024	60Hz
34	1280x1024	75Hz
35	1280x1024	85Hz
36	1400x1050	60Hz
37	1400x1050	75Hz
38	1400x1050	85Hz
39	1440x900	60Hz
40	1440x900	75Hz
41	1600x1200	60Hz
42	1680x1050	60Hz
43	1920x1080	60Hz
44	1920x1200	60Hz

## AV and HDMI signal compatibility

Source	Supported Signals	Available
EXT (SCART)	PAL	○
	SECAM	○
	NTSC4.43	○
	NTSC3.58	○
	RGB 50/60	○
Side AV	PAL	○
	SECAM	○
	NTSC4.43	○
	NTSC3.58	○
PC/YPbPr	480i, 480p	60Hz ○
	576i, 576p	50Hz ○
	720p	50Hz,60Hz ○
	1080i	50Hz,60Hz ○
HDMI	480i, 480p	60Hz ○
	576i, 576p	50Hz ○
	720p	50Hz,60Hz ○
	1080i	50Hz,60Hz ○
	1080p	24Hz, 25Hz, 30Hz, 50Hz, 60Hz ○

## Supported Video File Formats for USB Mode

Extension	Video Codec	SPEC (Resolution) & Bit Rate
.dat, vob	MPEG1/2	1080P@30fps - 40 Mbps
.mpg, .mpeg	MPEG1/2, MPEG4	
.ts, .trp, .tp	MPEG1/2, H.264, AVS, MVC	<b>H.264:</b> 1080Px2@30fps - 62.5 Mbps, 1080P@60fps - 62.5 Mbps <b>MVC:</b> 1080P@30fps - 62.5 Mbps <b>Other:</b> 1080P@30fps - 40Mbps
.mp4, .mov, .3gpp, .3gp	MPEG1/2, MPEG4, H.263, H.264, Motion JPEG	<b>H.264:</b> 1080Px2@30fps - 62.5 Mbps, 1080P@60fps - 62.5 Mbps <b>Motion JPEG:</b> 640x480@30fps - 10 Mbps <b>Other:</b> 1080P@30fps - 40 Mbps
.avi	MPEG1/2, MPEG4, Sorenson H.263, H.263, H.264, WMV3, Motion JPEG	
.mkv	MPEG1/2, MPEG4, H.263, H.264, WMV3, Motion JPEG	
.asf	Sorenson H.263, H.264, WMV3, Motion JPEG	
.flv	WMV3	1080P@30fps - 40 Mbps
.swf	RV30/RV40	1080P@30fps - 40 Mbps
.wmv		
.mp4, .mov, .3gpp, .3gp, MPEG transport stream, .ts, .trp, .tp, .mkv	HEVC/H.265	1080P@60fps - 50Mbps

## Supported Picture File Formats for USB Mode

Image	Photo	Resolution (width x height)	Remark
JPEG	Base-line	15360x8640	The limitation of max resolution depends on DRAM size
	Progressive	1024x768	
PNG	non-interlace	9600x6400	
	interlace	1200x800	
BMP		9600x6400	

## Supported Audio File Formats for USB Mode

Extension	Audio Codec	Bit Rate	Sample rate
.mp3,	MPEG1/2 Layer1	32Kbps ~ 448Kbps	16KHz ~ 48KHz
	MPEG1/2 Layer2	8Kbps ~ 384Kbps	
	MPEG1/2 Layer3	8Kbps ~ 320Kbps	
.avi	MPEG1/2 Layer1	32Kbps ~ 448Kbps	16KHz ~ 48KHz
	MPEG1/2 Layer2	8Kbps ~ 384Kbps	
	MPEG1/2 Layer3	8Kbps ~ 320Kbps	
	AC3	32Kbps ~ 640Kbps	32KHz, 44.1KHz, 48KHz
	AAC, HEAAC		8KHz ~ 48KHz
	WMA	128bps ~ 320Kbps	8KHz ~ 48KHz
	WMA 10 Pro M0	< 192kbps	48KHz
	WMA 10 Pro M1	< 384kbps	48KHz
	WMA 10 Pro M2	< 768kbps	96KHz
	LPCM	64Kbps ~ 1.5Mbps	8KHz ~ 48KHz
	IMA-ADPCM, MS-ADPCM	384Kbps	8KHz ~ 48KHz
G711 A/mu-law	64Kbps ~ 128Kbps	8KHz	
.asf	MPEG1/2 Layer1	32Kbps ~ 448Kbps	16KHz ~ 48KHz
	MPEG1/2 Layer2	8Kbps ~ 384Kbps	
	MPEG1/2 Layer3	8Kbps ~ 320Kbps	
	WMA	128bps ~ 320Kbps	8KHz ~ 48KHz
	WMA 10 Pro M0	< 192kbps	48KHz
	WMA 10 Pro M1	< 384kbps	48KHz
	WMA 10 Pro M2	< 768kbps	96KHz
.mkv, .mka	MPEG1/2 Layer1	32Kbps ~ 448Kbps	16KHz ~ 48KHz
	MPEG1/2 Layer2	8Kbps ~ 384Kbps	
	MPEG1/2 Layer3	8Kbps ~ 320Kbps	
	AC3	32Kbps ~ 640Kbps	32KHz, 44.1KHz, 48KHz
	AAC, HEAAC		8KHz ~ 48KHz
	WMA	128bps ~ 320Kbps	8KHz ~ 48KHz
	WMA 10 Pro M0	< 192kbps	48KHz
	WMA 10 Pro M1	< 384kbps	48KHz
	WMA 10 Pro M2	< 768kbps	96KHz
	VORBIS		Up to 48KHz
	LPCM	64Kbps ~ 1.5Mbps	8KHz ~ 48KHz
	IMA-ADPCM, MS-ADPCM	384Kbps	8KHz ~ 48KHz
	G711 A/mu-law	64Kbps ~ 128Kbps	8KHz
	FLAC	< 1.6Mbps	8KHz ~ 96KHz
.ts, .trp, .tp, .dat, .vob, .mpg, .mpeg	MPEG1/2 Layer1	32Kbps ~ 448Kbps	16KHz ~ 48KHz
	MPEG1/2 Layer2	8Kbps ~ 384Kbps	
	MPEG1/2 Layer3	8Kbps ~ 320Kbps	
	AC3	32Kbps ~ 640Kbps	32KHz, 44.1KHz, 48KHz
	EAC3	32Kbps ~ 6Mbps	32KHz, 44.1KHz, 48KHz
	AAC, HEAAC		8KHz ~ 48KHz
	LPCM	64Kbps ~ 1.5Mbps	8KHz ~ 48KHz

Extension	Audio Codec	Bit Rate	Sample rate
.wav	MPEG1/2 Layer1	32Kbps ~ 448Kbps	16KHz ~ 48KHz
	MPEG1/2 Layer2	8Kbps ~ 384Kbps	
	MPEG1/2 Layer3	8Kbps ~ 320Kbps	
	LPCM	64Kbps ~ 1.5Mbps	8KHz ~ 48KHz
	IMA-ADPCM, MS-ADPCM	384Kbps	8KHz ~ 48KHz
	G711 A/mu-law	64Kbps ~ 128Kbps	8KHz
.3gpp, .3gp, .mp4, .mov, .m4a	MPEG1/2 Layer3	8Kbps ~ 320Kbps	16KHz ~ 48KHz
	AC3	32Kbps ~ 640Kbps	32KHz, 44.1KHz, 48KHz
	EAC3	32Kbps ~ 6Mbps	32KHz, 44.1KHz, 48KHz
	AAC, HEAAC		8KHz ~ 48KHz
	VORBIS		Up to 48KHz
	LPCM	64Kbps ~ 1.5Mbps	8KHz ~ 48KHz
	IMA-ADPCM, MS-ADPCM	384Kbps	8KHz ~ 48KHz
	G711 A/mu-law	64Kbps ~ 128Kbps	8KHz
.flv	MPEG1/2 Layer3	8Kbps ~ 320Kbps	16KHz ~ 48KHz
	AAC, HEAAC		8KHz ~ 48KHz
.ac3	AC3	32Kbps ~ 640Kbps	32KHz, 44.1KHz, 48KHz
	AAC, HEAAC		8KHz ~ 48KHz
.swf	MPEG1/2 Layer3	8Kbps ~ 320Kbps	16KHz ~ 48KHz
.ec3	EAC3	32Kbps ~ 6Mbps	32KHz, 44.1KHz, 48KHz
	AAC, HEAAC		8KHz ~ 48KHz
.rm, .rmvb, .ra	LBR (cook)	6Kbps ~ 128Kbps	8KHz, 11.025KHz, 22.05KHz, 44.1KHz
.wma, .wmv	WMA	128bps ~ 320Kbps	8KHz ~ 48KHz
	WMA 10 Pro M0	< 192kbps	48KHz
	WMA 10 Pro M1	< 384kbps	48KHz
	WMA 10 Pro M2	< 768kbps	96KHz
.webm	VORBIS		Up to 48KHz

## Supported Subtitle File Formats for USB Mode

Internal Subtitles		
Extension	Container	Subtitle Code
dat, mpg, mpeg, vob	MPG, MPEG	DVD Subtitle
ts, trp, tp	TS	DVB Subtitle
mp4	MP4	DVD Subtitle UTF-8 Plain Text
mkv	MKV	ASS SSA UTF-8 Plain Text VobSub DVD Subtitle

External Subtitles		
Extension	Subtitle Parser	Remark
.srt	Subrip	
.ssa/ .ass	SubStation Alpha	
.smi	SAMI	
.sub	SubViewer MicroDVD DVDSusbtittleSystem SubIdx (VobSub)	SubViewer 1.0 & 2.0 Only
.txt	TMPlayer	

## Содержание

Уведомления, функции и аксессуары .....	4
Энергосбережение.....	4
Кнопка прокрутки телевизора .....	4
Включение/выключение .....	4
Первая установка .....	5
Воспроизведение медиа-файлов с USB-устройства .....	5
Меню медиа браузера.....	6
СЕС .....	6
Изменение настроек телевизора.....	7
Отображает опции .....	7
Опции звука.....	7
Конфигурирует настройки родительского контроля. ....	7
Электронная программа передач (EPG).....	8
Обновление Вашего телевизора .....	8
Поиск и устранение неисправностей и рекомендации .....	9
Типичные режимы изображения при подключении ПК .....	11
Совместимость сигналов AV и HDMI.....	11
Поддерживаемые форматы видео-файлов для режима USB .....	12
Поддерживаемые форматы файлов с изображениями для режима USB.....	12
Поддерживаемые форматы звуковых файлов для режима USB .....	13
Поддерживаемые форматы файлов с субтитрами для режима USB.....	14



## Важно

‘Перед установкой и эксплуатацией телевизора внимательно прочтите и поймите всю информацию, содержащуюся в брошюре по безопасности. Возникновение повреждений в результате невыполнения данных инструкций не будет являться гарантийным случаем’.

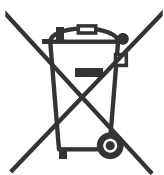
### Утилизация старого оборудования и батареек

Пожалуйста, не утилизируйте этот телевизор или батарейки вместе с обычными бытовыми отходами. При утилизации изделия или батареек воспользуйтесь соответствующими системами или средствами сбора для надлежащей вторичной переработки отходов.

**Примечание:** Значок Pb под символом на батарейках означает, что данная батарейка содержит свинец.



Изделие



Батарея



1. **Режим ожидания:** Включение/выключение телевизора
2. **Текст:** Отображает телетекст (при наличии), нажмите еще раз для наложения телетекста на обычное телевизионное изображение (смешанный режим)
3. **Стоп:** Прекращает воспроизведение медиа-файлов
4. **Экран:** Изменяет соотношение сторон экрана
5. **Источник:** Показывает все доступные станции вещания и источники контента
6. **Меню:** Отображение меню телевизора
7. **Перестановка каналов:** Поочередное включение предыдущих и текущих каналов или источников  
Если **Гостиничный режим** установлен как "Вкл.", при нажатии этой кнопки происходит переключение между Типами сетевых каналов DVB-T&Analogue, DVB-Cable&Analogue и DVB-Satellite&Analogue
8. **Навигационные кнопки:** Помогает перемещаться по меню, контенту и т.д. и отображает подстраницы в режиме TXT при нажатии кнопки Вправо или Влево
9. **Программа вниз /страница вниз (в текстовом режиме)**
10. **Громкость -**
11. **Зеленая кнопка:** Выполните инструкции на экране для использования цветных кнопок
12. **Красная кнопка:** Выполните инструкции на экране для использования цветных кнопок
13. **Цифровые кнопки:** Переключение канала, ввод цифры или буквы в текстовом окне на экране.
14. **Субтитры:** Включение и выключение субтитров (при наличии)
15. **Язык:** Переключает режимы звука (аналоговое телевидение), отображает и изменяет язык аудио/ субтитров (цифровое телевидение, при наличии)
16. **Синяя кнопка:** Выполните инструкции на экране для использования цветных кнопок
17. **Желтая кнопка:** Выполните инструкции на экране для использования цветных кнопок
18. **Громкость +**
19. **Без звука:** Полностью отключает громкость телевизора
20. **Программа вверх /страница вверх (в текстовом режиме)**
21. **Return/Back:** Возврат к предыдущему экрану, открывание страницы указателя (в режиме TXT)
22. **OK:** Подтверждение выбора пользователя, удерживание страницы (в режиме TXT), просмотр списка каналов
23. **Информация:** Отображение информации о контенте, показываемом на экране (раскрытие информации - в режиме TXT)
24. **Воспроизведение:** Начинает воспроизводить выбранные медиа-файлы
25. **Пауза:** Приостанавливает воспроизведение медиа-файлов
26. **Спящий режим:** Программирует телевизор на автоматическое отключение
27. **EPG (Электронная программа передач):** Отображение электронной программы передач

### Телетекст

Нажмите кнопку **Text**, чтобы просмотреть информацию телетекста. Нажмите повторно для включения режима смешивания, который позволит вам просматривать страницы телетекста и программы телевещания одновременно. Чтобы выйти, нажмите кнопку еще раз. Разделы или страницы телетекста будут окрашены в разные цвета, их можно будет выбрать при помощи цветных кнопок. Для просмотра страниц используйте кнопки навигации или кнопку **Программа +/-**. Можно использовать различные способы управления в зависимости от содержания телетекста. Следуйте инструкциям, отображаемым на экране.

**Примечание:** Диапазон работы ПДУ составляет примерно 7м/23 фута.

## Уведомления, функции и аксессуары

### Энергосбережение

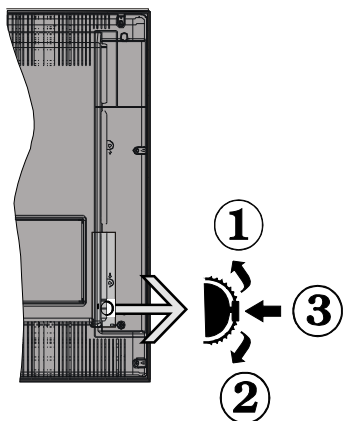
В этом телевизоре имеются функции, позволяющие осуществлять энергосбережение:

- **Сбережение энергии:** Вы можете применять комбинацию настроек энергоэффективности изображения. Во время просмотра телевизора нажмите на кнопку **Menu**, и настройки **Режима энергосбережения** могут быть найдены в разделе "Изображение" главного меню.
- **Режим отключения изображения:** Если Вам необходимо только прослушивание аудио-файлов, Вы можете отключить дисплей. Другие функции будут доступны в обычном режиме. Во время просмотра телевизора нажмите кнопку **Menu** и выберите "**Изображение**", затем выберите опцию "**Энергосбережение**". Нажмите кнопку "Вправо", после того, как будет выбрана опция "Авто" (автоматический режим), или кнопку "Влево" после того, как будет выбрана опция "**Настраиваемый**". На экране появится сообщение. Выберите **ПРОДОЛЖИТЬ** и нажмите **ОК**, чтобы выключить телевизор. Если не будет нажата какая-либо кнопка, экран отключится через 15 секунд. Нажмите любую кнопку на пульте дистанционного управления телевизора, чтобы включить экран снова.

*Примечание:* При включении режима "**Игра**" опция "**Отключение экрана**" будет недоступной. Если телевизор не будет использоваться в течение длительного времени, отключите его от сети питания.

### Кнопка прокрутки телевизора

Кнопка прокрутки телевизора, расположенная на его боковой части, позволяет контролировать громкость, переключать каналы и переводить телевизор в режим ожидания.



**Изменение громкости:** Увеличивайте громкость нажатием кнопки прокрутки вверх. Уменьшайте громкость нажатием кнопки прокрутки вниз.

### Переключение каналов:

- Нажмите на среднюю часть кнопки прокрутки, на экране появится баннер с информацией о канале.
- Нажатием кнопки вверх или вниз выполняйте прокрутку сохраненных каналов.

### Переключение источника:

- Нажмите на среднюю часть кнопки (второй раз полностью), на экране появится исходный список.
- Нажатием кнопки вверх или вниз выполняйте прокрутку доступных источников.

**Переключение телевизора в режим ожидания.** Нажмите на центральную часть кнопки и удерживайте ее нажатой в течение нескольких секунд, пока телевизор не переключится в режим ожидания.

**Чтобы включить телевизор из режима ожидания:** Нажмите на среднюю часть кнопки, телевизор включится.

### Примечания:

*Если телевизор будет выключен, указанный цикл начнется заново, начиная с настройки громкости.*

*Главное меню OSD не может быть отображено с помощью кнопок управления.*

### Включение/выключение

#### Чтобы включить телевизор

Выведите телевизор из режима ожидания любым из способов:

- Нажмите кнопку **Режим ожидания, Программа +/-** или числовую кнопку на пульте дистанционного управления.
- Нажмите на среднюю часть бокового функционального переключателя на телевизоре.

*Примечание:* Если телевизор оставлен и не эксплуатируется в течение часов, то он перейдет в режим ожидания. При следующем включении появится сообщение: "**Нерабочее состояние в связи с режимом ожидания**", Нажмите **ОК**, чтобы продолжить.

#### Чтобы выключить телевизор

- Нажмите кнопку **Режим ожидания** на пульте дистанционного управления или нажмите на среднюю часть бокового функционального переключателя на телевизоре, чтобы переключить телевизор в режим ожидания.

*Примечание:* Для полного отключения питания телевизора, отключите сетевой шнур из розетки.

## Первая установка

При первом включении телевизора на экране появится меню выбора языка. Выберите необходимый язык и нажмите на кнопку **OK**.

**Примечание:** Если к телевизору подключено USB-устройство, можно нажать на **ЗЕЛЕНУЮ** кнопку на пульте дистанционного управления перед тем, как продолжить, для загрузки данных NVRAM (список услуг, первые настройки и т.д.) с USB-устройства, которые были загружены с другого Philips Hotel TV. Изучите разделы "Копирование на USB-устройство" и "Копирование с USB-устройства" под заголовком "Гостиничный режим" на страницах в конце данного руководства.

В случае предварительной установки правильного файла обновления ПО на USB-устройстве можно нажать **КРАСНУЮ** кнопку на пульте дистанционного управления перед тем, как продолжить, для обновления программного обеспечения телевизора. Файл обновления программного обеспечения должен называться "VES162HE\_upgrade.bin" or "Philips\_upgrade\_mb110.bin".

Обновление ПО через USB-устройство может быть выполнено в любое время с помощью скрытой комбинации кнопок "**Menu-1-5-0-5**".

На следующей экранной странице установите первичные настройки, используя кнопки направления, и нажмите **OK** по мере завершения.

Вы можете осуществить настройку телевизора с помощью меню "Первоначальная установка", выполнив выбор следующих опций.

### Установка цифровой антенны

Если включена опция "**Цифровая антенна**", то после завершения начальных настроек будет выполняться поиск цифровых станций наземного вещания.

### Установка цифрового кабеля

Если включена опция поиска станций **цифрового кабельного** телевидения, телевизор будет осуществлять поиск станций цифрового кабельного телевидения после завершения других начальных настроек. В соответствии с другими начальными настройками, перед началом поиска на экране может отобразиться сообщение подтверждения. Для автоматической установки, если поставщик услуг кабельного телевидения поддерживает установку на основе идентификатора сети (например, Unitymedia), выберите **Да** и нажмите **OK**.

Если Ваш поставщик услуг кабельного телевидения не поддерживает установку с использованием Идентификатора сети, выберите **НЕТ**, нажмите **OK** и следуйте инструкциям, отображаемым на экране.

На этом экране можно выбирать частотные диапазоны. Вы можете ввести диапазон частот вручную, пользуясь кнопками с цифрами.

**Примечание:** Продолжительность поиска будет изменена, в зависимости от выбранного Шага поиска.

### Установка аналоговой антенны

Если включена опция **Аналоговое** телевидение, то после завершения начальных настроек будет выполняться поиск станций аналогового вещания. Также можно установить предпочитаемый тип телевидения. Во время поиска приоритет будет отдаваться выбранному типу телевидения, и соответствующие каналы будут отображаться в верхней части **Списка каналов**. После завершения нажмите кнопку **OK**, чтобы продолжить.

Затем осуществляется выбор **Домашнего / магазинного режима**. Для домашнего использования рекомендуется выбирать **Домашний режим**.

После завершения начальных настроек телевизор начнет поиск доступных станций телевидения в соответствии с выбранными типами вещания.

По мере того, как поиск продолжится, появится сообщение с запросом, хотите ли вы отсортировать каналы в соответствии с LCN (\*). Выберите **Да** и нажмите **OK** для подтверждения.

(\* ) LCN – это система номеров логических каналов, которая организует доступные программы вещания в соответствии с распознаваемой последовательностью каналов (при наличии).

После сохранения всех имеющихся станций на экране появятся результаты поиска. Нажмите **OK** чтобы продолжить. Затем отобразится меню **Редактирование списка каналов**. Нажмите кнопку **Menu**, чтобы выйти из меню "**Редактирование списка каналов**" и начать просмотр телевизора.

**Примечание:** Не выключайте телевизор, когда инициализирована первая установка. Следует отметить, что некоторые опции могут быть недоступными, в зависимости от страны.

## Воспроизведение медиа-файлов с USB-устройства

Можно воспроизводить фото и музыкальные файлы и файлы с фильмами, сохраненные на USB-диске, путем подключения диска к телевизору. Подключите USB-диск к одному из входных USB-разъемов, находящихся на задней панели телевизора. Телевизор автоматически распознает USB-устройство, и отобразится меню **Обозревателя мультимедиа**. Также доступ к меню **Обозревателя мультимедиа** может быть получен через главное меню телевизора. Нажмите кнопку **Menu**, выберите из списка пункт

**Обозреватель мультимедиа** и нажмите кнопку **OK** для выполнения входа.

После выбора требуемого типа мультимедиа в главном меню **Обозревателя мультимедиа**, при нажатии кнопки **Menu** будет получен доступ к опциям меню **Изображение, Звук и Настройки**. При повторном нажатии кнопки **Menu** будет иметь место выход из данного экрана. Настройки обозревателя мультимедиа можно установить с помощью диалогового окна **Настройки**.

Для включения функции "**Автоматическое воспроизведение**" выделите эту опцию в меню **Настройки** и установите опцию "**Вкл.**" с помощью кнопок направления. Когда эта функция включена, телевизор распознает подключенные USB-устройства и осуществляет поиск мультимедийных файлов.

сначала осуществляется поиск файлов с фотографиями. Если фотографии не найдены, программа ищет видео-файлы. Если видео-файлы не найдены, программа ищет аудио-файлы.

После нахождения файла для воспроизведения формат этого файла будет выбран как постоянный, и каждый файл с этим форматом будет воспроизводиться в бесконечном цикле. При использовании пульта дистанционного управления для выхода и т.д. воспроизведение файла (-ов) будет прервано, и цикл воспроизведения будет прекращен.

Если телевизор не сможет найти каких-либо мультимедийных файлов, на экране отобразится основное меню обозревателя мультимедиа. Установите опцию **Стиль просмотра** как **Плоский**, чтобы поиск всех файлов производится во всех подпапках на USB-устройстве.

***Примечание:** Если телевизор находится в режиме ожидания, эта функция будет недоступной.*

**ВАЖНО!** Перед выполнением любого подключения к телевизору создайте резервные копии файлов. Производитель не несет ответственности за повреждение файлов или утерю данных. Некоторые виды USB-устройств (например, MP3-плееры) могут оказаться не совместимыми с данным телевизором.

## Меню медиа браузера

### Включение режима "Цикл/Перемешивание"

Начните воспроизведение с помощью кнопки <b>воспроизведение</b> и активируйте	Все файлы в списке будут постоянно воспроизводиться в первоначальном порядке.
Начните воспроизведение с помощью кнопки <b>OK</b> и активируйте	Будет постоянно воспроизводиться один и тот же файл (повтор)
Начните воспроизведение с помощью кнопки <b>воспроизведение</b> и активируйте	Все файлы в списке будут воспроизводиться один раз вразброс.
Начните воспроизведение с помощью кнопки <b>воспроизведение</b> и активируйте ,	Все файлы в списке будут постоянно воспроизводиться в том же произвольном порядке.

## СЕС

Эта функция позволяет управлять с помощью пульта дистанционного управления телевизора устройствами, поддерживающими СЕС, которые подключены в разъемы HDMI.

Опция СЕС в меню "Настройки > Больше" сначала должна быть установлена как "Вкл." Нажмите на кнопку **Источник** и выберите вход HDMI подключенного устройства СЕС из меню **Список источников**. Когда будет подключено устройство источника СЕС, оно будет отображаться в меню источника с собственным названием вместо подключенных разъемов HDMI (DVD-плеер, Записывающее устройство 1 и т.д.).

Пульт дистанционного управления автоматически сможет выполнять основные функции после того, как будет выбран источник HDMI.

Для завершения данной операции и дальнейшего управления телевизором через пульт дистанционного управления нажмите и удерживайте в течение 3 секунд на пульте дистанционного управления кнопку "0-ноль". Эта функция также может быть включена или отключена с помощью меню "Настройки > Больше".

Данный телевизор также поддерживает функцию ARC (Реверсивный звуковой канал/Audio Return Channel). Эта функция является звуковым звеном, предназначенным для замены других кабелей между телевизором и аудио-системой (приемник A/V или акустическая система).

Когда будет включена функция ARC, в телевизоре не будет автоматически включен режим "без звука" для других звуковых выводов. Необходимо будет уменьшить громкость телевизора до нуля вручную, если вы захотите слушать аудио только с подключенного аудио-устройства (так же, как и с других оптических или коаксиальных цифровых аудио-выводов). Если вы захотите

изменить громкость подключенного устройства, необходимо будет выбрать данное устройство из списка источников. В этом случае кнопки управления громкостью сопряжены с подключенным аудио-устройством.

**Примечание:** Функция ARC поддерживается только через вход HDMI1.

### Звуковое управление системой

Допускается использование с телевизором звукового усилителя/ресивера. Управление громкостью может осуществляться с помощью пульта дистанционного управления телевизора. Для включения данной функции установите опцию "Громкоговорители" в меню "Настройки>Больше" как "Усилитель". Звук громкоговорителей телевизора будет выключен, и из подключенной звуковой системы будет слышен звук источника просмотра.

**Примечание:** Аудио-устройство должно поддерживать функцию Управление аудио-файлами системы, и функция СЕС должна быть установлена как **Вкл.**

### Изменение настроек телевизора

Получение доступа к нижеуказанным опциям;

- 1- Нажмите кнопку **Menu**.
- 2- Выделите пункт, которые необходимо выбрать
- 3- Нажмите **OK** для подтверждения.

### Отображает опции

**Режим:** Изменение режима изображения на один из следующих: Кинотеатр, Игра, спорт, Динамическое, и Естественное изображение.

(\* Опция "Режим игры" может быть недоступной, в зависимости от выбранного источника.

**Контрастность:** Устанавливает контрастность изображения.

**Яркость:** Устанавливает яркость изображения.

**Резкость:** Устанавливает резкость изображения. Высокая резкость может обеспечивать четкое, насыщенное изображение, в зависимости от контента.

**Цвет:** Устанавливает цветность изображения.

**Подсветка:** Устанавливает яркость фоновое изображения. Функция подсветки будет неактивной, если **Энергосбережение** будет установлено в режим **Настраиваемое**.

### Опции звука

**Громкость:** Настраивает уровень громкости.

**Эквалайзер:** Переключает режим эквалайзера.

**Баланс:** Регулирует баланс звука (в большей степени в левом или правом динамике).

**Наушники:** Устанавливает громкость наушников. Эта опция будет неактивной в случае установки

опции "**Наушники/Линейный выход**" как "**Линейный выход**".

**Режим звука:** Устанавливает предпочитаемый режим звука.

**AVL:** Устанавливает предельную максимальную громкость.

**Наушники/Линейный выход:** Эта опция устанавливается для **Наушников**, если имеются наушники или **Линейный выход** с внешним усилителем, подключенным к гнезду для наушников.

**Dynamic Bass (Динамические низкие частоты):** Включение и выключение Dynamic Bass. Увеличивает диапазон низких частот.

**Surround sound (Пространственный звук):** **Включение** или **Выключение** пространственного звука.

**Digital Out (Цифровой выход):** Устанавливает цифровой тип аудио выхода.

### Конфигурирует настройки родительского контроля.

Эта функция используется для ограничения доступа к выбранному контенту. Контроль осуществляется с помощью ПИН-кода, устанавливаемого Вами. Эти настройки находятся в меню "Настройки>Родительские настройки".

**Примечание:** ПИН-кодом по умолчанию является **0000** или **1234**. Если вы установили ПИН-код (требуется в зависимости от выбора страны) во время **Первой Установки**, используйте данный ПИН-код.

Некоторые опции могут быть недоступными, в зависимости от страны во время **Первой Установки**.

**Блокировка меню:** Эта настройка включает или отключает доступ к меню.

**Блокировка в зависимости от возраста зрителей (дополнительно):** При установке этой опции у вещающих станций будет запрашиваться информация о зрелости, и если данный уровень зрелости отключен, то доступ к соответствующей передаче будет отключен.

**Защита от детей (дополнительно):** Если установлена эта опция, то управлять телевизором можно будет только при помощи пульта дистанционного управления. В этом случае кнопки панели управления работать не будут.

**Управление (опция):** С помощью этой настройки включается или отключается доступ к некоторым приложениям MHEG. Отключенные приложения могут быть запущены путем ввода правильного ПИН-кода.

**Установить ПИН-код:** Устанавливает новый ПИН-код.

**ПИН-код SICAM По Умолчанию:** Эта опция будет выделена серым цветом, если в слот CI телевизора не будет вставлен модуль CI. С помощью данной опции ПИН-код CI CAM, используемый по умолчанию, может быть изменен.

### **Электронная программа передач (EPG)**

Некоторые каналы содержат информацию о графике их транслирования. Нажмите кнопку **EPG** (электронная программа передач) для просмотра меню EPG.

Существует 3 различных вида доступных графика размещения — **График временной шкалы**, **График списка** и **График "Сейчас/Далее"**. Для переключения между ними выполните инструкции, приведенные в нижней части экрана.

#### **График временной шкалы**

**Масштабирование (желтая кнопка):** Нажмите Желтую кнопку для просмотра событий в более широком временном интервале.

**Фильтрация (синяя кнопка):** Отображает опции фильтра.

**Выбор жанра (кнопка Subtitles):** Отображение меню **Выбор жанра**. Используя эту функцию, можно выполнять поиск в базе данных программы передач по выбранному жанру. Будет выполняться поиск, и его результаты, в соответствии с заданными Вами критериями, будут выданы в виде списка..

**Опции (кнопка ОК):** Отображение опций для передачи.

**Подробная информация по событиям (кнопка Info):** Отображает подробную информацию о выбранных программах.

**Следующий/Предыдущий день (кнопки Program +/-):** Отображение передачи следующего или предыдущего дня.

**Поиск (кнопка Текст):** Отображает меню «поиск по программе передач».

**Сейчас (кнопка Swap):** Отображает текущее событие выбранного канала.

#### **График списка (\*)**

(\*) В этом варианте размещения перечисляются события выделенного канала.

**Предыдущий Временной промежуток (красная кнопка):** Отображает передачи предыдущего периода.

**Следующий/Предыдущий день (кнопки Program +/-):** Отображение передачи следующего или предыдущего дня.

**Подробная информация по событиям (кнопка Info):** Отображает подробную информацию о выбранных программах.

**Фильтрация (кнопка Текст):** Отображает опции фильтра.

**Следующий временной промежуток (зеленая кнопка):** Отображение передач следующего периода.

**Опции (кнопка ОК):** Отображение опций для передачи.

#### **График "Сейчас/Далее"**

**Перемещение (кнопки направления):** Используйте **Кнопки направления** для переключения каналов и программ.

**Опции (кнопка ОК):** Отображение опций для передачи.

**Подробная информация по событиям (кнопка Info):** Отображает подробную информацию о выбранных программах.

**Фильтрация (синяя кнопка):** Отображает опции фильтра.

#### **Опции передачи**

В меню Электронной программы передач нажмите кнопку **ОК** для входа в меню **опции передачи**.

**Выбор канала** С помощью этой опции в меню электронной программы передач вы сможете переключиться на выбранный канал.

**Таймер на передаче / Удалить таймер на Передаче:** После выбора передачи в меню Электронной программы передач нажмите кнопку **ОК**. Выберите опцию **“Установить таймер на передаче”** и нажмите кнопку **ОК**. Таймер можно установить на программы, которые будут передаваться в будущем. Для отмены уже запланированной записи, выделите передачу и нажмите кнопку **ОК**. Затем выберите опцию **“Удалить таймер на передаче”**. Таймер будет отменен.

### **Обновление Вашего телевизора**

Перемещайтесь по главному меню, выберите меню **Настройки>Больше**, отобразится версия текущего ПО.

**ОСТОРОЖНО:** Не устанавливайте версию ПО, являющуюся более старой, чем текущая версия, установленная на изделии. TP Vision не несет ответственности за неполадки, которые могут иметь место в связи с переходом на более старую версию ПО.

#### **Обновление с помощью USB-накопителя**

Перед обновлением ПО убедитесь в наличии:

- USB-накопитель с объемом памяти 256 мегабайт имеет формат FAT32 или DOS и заблокирован для записи.

- Доступ к компьютеру с помощью USB-соединителя и доступ в интернет

Зайдите на страничку [www.philips.com/support](http://www.philips.com/support) и выполните инструкции по обновлению ПО.

## Автоматическое обновление с цифровой станции телевидения

Телевизор подключен к антенне. Если опция "Автоматическое сканирование" включена в меню "Опции обновления", то телевизор просыпается в 03:00 и выполняет поиск обновления программ на вещающих каналах. В случае обнаружения ПО и его успешной загрузки при следующем включении питания телевизор запустится с новой версией программного обеспечения. Чтобы открыть меню "Опции обновления", войдите в меню "Настройки > Больше", выделите пункт "Обновление ПО" и нажмите кнопку ОК.

*Примечание: Не отключайте телевизор из электрической розетки, когда светодиод мигает, указывая, что идет процесс перезагрузки. Если телевизор не возобновил работу после обновления, отключите его из электрической розетки на 2 минуты, а затем снова включите.*

## Поиск и устранение неисправностей и рекомендации

### Телевизор не включается

Убедитесь, что шнур питания должным образом включен в настенную розетку. Проверьте, не сели ли батарейки. Нажмите кнопку Питание на телевизоре.

### Низкое качество изображения

- Может быть неправильно выбрана телевизионная система.
- Слабый сигнал может привести к искажению изображения. Проверьте соединение антенны.
- Проверьте, правильно ли настроена частота каналов, если настройка была произведена вручную.
- Изображение может ухудшиться, если к телевизору одновременно подключены два внешних устройства. В этом случае следует отключить одно из внешних устройств.

### Отсутствует изображение

- Это означает, что телевизор не получает какого-либо сигнала. Проверьте, что Вы выбрали правильный источник входящего сигнала.
- Возможно, неправильно подключена антенна?
- Может быть поврежден антенный провод
- Возможно, используемые штекеры не подходят для соединения с антенной.
- Если у вас есть сомнения, обратитесь к Вашему местному представителю.

### Нет звука

- Проверьте, не включена ли блокировка звука. Нажмите на кнопку **Блокировка звука** или увеличьте громкость.

- Звук слышен только из одного динамика. Проверьте настройки баланса в меню **звук**.

### Пульт дистанционного управления не работает.

- Возможно, сели батарейки. Произведите их замену.

### Невозможно выбрать источник входного сигнала

- Если Вы не можете выбрать источник входящего сигнала, возможно, нет подключенных устройств. В противном случае;
- Если Вы пытаетесь переключиться на источник входного сигнала, предназначенного для подключенного устройства, проверьте кабели AV и соединения.



## Технические характеристики

Телевещание	PAL BG/DK/II' SECAM BG/DK			
Прием каналов	VHF (ДИАПАЗОН I/III) - UHF (ДИАПАЗОН U) - ГИПЕРЧАСТОТНЫЙ ДИАПАЗОН			
Цифровой прием	Встроенное цифровое/эфирное/кабельное/спутниковое телевидение (DVB-T/C) (совместимость с DVB-T2)			
Количество предварительно заданных каналов	1.000			
Индикатор каналов	Отображение на экране			
Радиочастотный Антенный Вход	75 Ом (несбалансированный)			
Рабочее напряжение	220-240 В переменного тока, 50 Гц.			
Аудио	German+Nicam Stereo			
Дисплей	24"	32"	43"	49"
Выходная мощность звука (WRMS.) (СУММАРНЫЙ КОЭФФИЦИЕНТ ГАРМОНИЧЕСКИХ ИСКАЖЕНИЙ - 10%)	2x2,5W	2x6W	2x8W	2x8W
Потребляемая мощность (Вт)	45W	65W	75W	75W
Вес (кг)	3,45 kg	5,60 kg	9,30 kg	11,35 kg
Габариты телевизора - ШxДxВ (с подставкой) (мм)	134x554x370 mm	185x735x478 mm	220x974x615 mm	220x1112x692 mm
Габариты телевизора - ШxДxВ (без подставки) (мм)	35(min)/61(max)x554x339mm	77(min)/89(max)x735x438mm	64(min)/93(max)x974x572mm	60(min)/91(max)x1112x653mm
Рабочая температура и влажность	от 0°C до 40°C, 85% влажности макс.			

## Типичные режимы изображения при подключении ПК

В следующей таблице представлена установка некоторых типичных режимов изображения.

Указатель	Разрешение	Частота
1	640x350	85 Гц
2	640x400	70 Гц
3	640x480	60 Гц
4	640x480	66 Гц
5	640x480	72 Гц
6	640x480	75 Гц
7	640x480	85 Гц
8	800x600	56 Гц
9	800x600	60 Гц
10	800x600	70 Гц
11	800x600	72 Гц
12	800x600	75 Гц
13	800x600	85 Гц
14	832x624	75 Гц
15	1024x768	60 Гц
16	1024x768	66 Гц
17	1024x768	70 Гц
18	1024x768	72 Гц
19	1024x768	75 Гц
20	1024x768	85 Гц
21	1152x864	60 Гц
22	1152x864	70 Гц
23	1152x864	75 Гц
24	1152x864	85 Гц
25	1152x870	75 Гц
26	1280x768	60 Гц
27	1360x768	60 Гц
28	1280x768	75 Гц
29	1280x768	85 Гц
30	1280x960	60 Гц
31	1280x960	75 Гц
32	1280x960	85 Гц
33	1280x1024	60 Гц
34	1280x1024	75 Гц
35	1280x1024	85 Гц
36	1400x1050	60 Гц
37	1400x1050	75 Гц
38	1400x1050	85 Гц
39	1440x900	60 Гц
40	1440x900	75 Гц
41	1600x1200	60 Гц
42	1680x1050	60 Гц
43	1920x1080	60 Гц
44	1920x1200	60 Гц

## Совместимость сигналов AV и HDMI

Источник	Поддерживаемые сигналы	Доступно	
EXT (SCART)	PAL	О	
	SECAM	О	
	NTSC4.43	О	
	NTSC3.58	О	
	RGB 50/60	О	
Боковой AV	PAL	О	
	SECAM	О	
	NTSC4.43	О	
	NTSC3.58	О	
PC/YPbPr	480i, 480p	60 Гц	О
	576i, 576p	50 Гц	О
	720p	50 Гц, 60 Гц	О
	1080i	50 Гц, 60 Гц	О
HDMI	480i, 480p	60 Гц	О
	576i, 576p	50 Гц	О
	720p	50 Гц, 60 Гц	О
	1080i	50 Гц, 60 Гц	О
	1080p	24 Гц, 25 Гц, 30 Гц, 50 Гц, 60 Гц	О

## Поддерживаемые форматы видео-файлов для режима USB

Расширение	Видео кодек	СПЕС (разрешение) и скорость передачи данных в битах
.dat, vob	MPEG1/2	1080P@30 кадров/с ~ 40 Мбит/с
.mpg, .mpeg	MPEG1/2 MPEG4	
.ts, .trp, .tp	MPEG1/2, H.264, AVS, MVC	<b>H.264:</b> 1080Px2@30 кадров/с - 62,5 Мбит/с, 1080P@60 кадров/с - 62,5 Мбит/с, <b>MVC:</b> 1080P@30 кадров/с - 62,5 Мбит/с <b>Другое:</b> 1080P@30 кадров/с - 40 Мбит/с
.mp4, .mov, .3gpp, .3gp	MPEG1/2, MPEG4, H.263, H.264, Motion JPEG	<b>H.264:</b> 1080Px2@30 кадров/с - 62,5 Мбит/с, 1080P@60 кадров/с - 62,5 Мбит/с <b>Motion JPEG:</b> 640x480@30 кадров/с - 10 Мбит/с <b>Другое:</b> 1080P@30 кадров/с ~ 40 Мбит/с
.avi	MPEG1/2, MPEG4, Sorenson H.263, H.263, H.264, WMV3, Motion JPEG	
.mkv	MPEG1/2, MPEG4, H.263, H.264, WMV3, Motion JPEG	
.asf	Sorenson H.263, H.264, WMV3, Motion JPEG	
.flv	WMV3	1080P@30 кадров/с ~ 40 Мбит/с
.swf	RV30/RV40	1080P@30 кадров/с ~ 40 Мбит/с
.wmv		
.mp4, .mov, .3gpp, .3gp, транспортный поток MPEG, .ts, .trp, .tp, .mkv	HEVC/H.265	1080P@60 кадров в сек. - 50 Мб в сек.

## Поддерживаемые форматы файлов с изображениями для режима USB

Изображение	Фото	Разрешение (ширина x высота)	Замечание
JPEG	Линия отсчета	15360x8640	Это ограничение по максимальному разрешению зависит от размера DRAM.
	Прогрессивное	1024x768	
PNG	прогрессивная развертка	9600x6400	
	интерфейс	1200x800	
BMP		9600x6400	

## Поддерживаемые форматы звуковых файлов для режима USB

Расширение	Звуковой кодек	Скорость в битах	Частота дискретизации
.mp3,	MPEG1/2 Layer1	32 кбит/с, 448 кбит/с	16 КГц ~ 48 КГц
	MPEG1/2 Layer2	8 кбит/с ~ 384 кбит/с	
	MPEG1/2 Layer3	8 кбит/с ~ 320 кбит/с	
.avi	MPEG1/2 Layer1	32 кбит/с, 448 кбит/с	16 КГц ~ 48 КГц
	MPEG1/2 Layer2	8 кбит/с ~ 384 кбит/с	
	MPEG1/2 Layer3	8 кбит/с ~ 320 кбит/с	
	AC3	32 кбит/с ~ 640 кбит/с	32 КГц, 44,1 КГц, 48 КГц
	AAC, HEAAC		8 КГц ~ 48 КГц
	WMA	128 кбит/с ~ 320 кбит/с	8 КГц ~ 48 КГц
	WMA 10 Pro M0	< 192 кбит/с	48 КГц
	WMA 10 Pro M1	< 384 кбит/с	48 КГц
	WMA 10 Pro M2	< 768 кбит/с	96 КГц
	LPCM	64 кбит/с ~ 1,5 Мбит/с	8 КГц ~ 48 КГц
	IMA-ADPCM, MS-ADPCM	384Kbps	8 КГц ~ 48 КГц
.asf	G711 A/му-функция	64 кбит/с ~ 128 кбит/с	8 КГц
	MPEG1/2 Layer1	32 кбит/с, 448 кбит/с	16 КГц ~ 48 КГц
	MPEG1/2 Layer2	8 кбит/с ~ 384 кбит/с	
	MPEG1/2 Layer3	8 кбит/с ~ 320 кбит/с	
	WMA	128 кбит/с ~ 320 кбит/с	8 КГц ~ 48 КГц
	WMA 10 Pro M0	< 192 кбит/с	48 КГц
	WMA 10 Pro M1	< 384 кбит/с	48 КГц
	WMA 10 Pro M2	< 768 кбит/с	96 КГц
.mkv, .mka	MPEG1/2 Layer1	32 кбит/с, 448 кбит/с	16 КГц ~ 48 КГц
	MPEG1/2 Layer2	8 кбит/с ~ 384 кбит/с	
	MPEG1/2 Layer3	8 кбит/с ~ 320 кбит/с	
	AC3	32 кбит/с ~ 640 кбит/с	32 КГц, 44,1 КГц, 48 КГц
	AAC, HEAAC		8 КГц ~ 48 КГц
	WMA	128 кбит/с ~ 320 кбит/с	8 КГц ~ 48 КГц
	WMA 10 Pro M0	< 192 кбит/с	48 КГц
	WMA 10 Pro M1	< 384 кбит/с	48 КГц
	WMA 10 Pro M2	< 768 кбит/с	96 КГц
	VORBIS		До 48 КГц
	LPCM	64 кбит/с ~ 1,5 Мбит/с	8 КГц ~ 48 КГц
	IMA-ADPCM, MS-ADPCM	384Kbps	8 КГц ~ 48 КГц
	G711 A/му-функция	64 кбит/с ~ 128 кбит/с	8 КГц
FLAC	<1.6 Мбит/с	8 КГц~96 КГц	
.ts, .trp, .tp, .dat, .vob, .mpg, .mpeg	MPEG1/2 Layer1	32 кбит/с, 448 кбит/с	16 КГц ~ 48 КГц
	MPEG1/2 Layer2	8 кбит/с ~ 384 кбит/с	
	MPEG1/2 Layer3	8 кбит/с ~ 320 кбит/с	
	AC3	32 кбит/с ~ 640 кбит/с	32 КГц, 44,1 КГц, 48 КГц
	EAC3	32 кбит/с ~ 6 Мбит/с	32 КГц, 44,1 КГц, 48 КГц
	AAC, HEAAC		8 КГц ~ 48 КГц
	LPCM	64 кбит/с ~ 1,5 Мбит/с	8 КГц ~ 48 КГц

Расширение	Звуковой кодек	Скорость в битах	Частота дискретизации
.wav	MPEG1/2 Layer1	32 кбит/с, 448 кбит/с	16 КГц ~ 48 КГц
	MPEG1/2 Layer2	8 кбит/с ~ 384 кбит/с	
	MPEG1/2 Layer3	8 кбит/с ~ 320 кбит/с	
	LPCM	64 кбит/с ~ 1,5 Мбит/с	8 КГц ~ 48 КГц
	IMA-ADPCM, MS-ADPCM	384Kbps	8 КГц ~ 48 КГц
	G711 A/ми-функция	64 кбит/с ~ 128 кбит/с	8 КГц
.3gpp, .3gp, .mp4, .mov, .m4a	MPEG1/2 Layer3	8 кбит/с ~ 320 кбит/с	16 КГц ~ 48 КГц
	AC3	32 кбит/с ~ 640 кбит/с	32 КГц, 44,1 КГц, 48 КГц
	EAC3	32 кбит/с ~ 6 Мбит/с	32 КГц, 44,1 КГц, 48 КГц
	AAC, HEAAC		8 КГц ~ 48 КГц
	VORBIS		До 48 КГц
	LPCM	64 кбит/с ~ 1,5 Мбит/с	8 КГц ~ 48 КГц
	IMA-ADPCM, MS-ADPCM	384Kbps	8 КГц ~ 48 КГц
G711 A/ми-функция	64 кбит/с ~ 128 кбит/с	8 КГц	
.flv	MPEG1/2 Layer3	8 кбит/с ~ 320 кбит/с	16 КГц ~ 48 КГц
	AAC, HEAAC		8 КГц ~ 48 КГц
.ac3	AC3	32 кбит/с ~ 640 кбит/с	32 КГц, 44,1 КГц, 48 КГц
	AAC, HEAAC		8 КГц ~ 48 КГц
.swf	MPEG1/2 Layer3	8 кбит/с ~ 320 кбит/с	16 КГц ~ 48 КГц
.ec3	EAC3	32 кбит/с ~ 6 Мбит/с	32 КГц, 44,1 КГц, 48 КГц
.rm, .rmvb, .ra	AAC, HEAAC		8 КГц ~ 48 КГц
	LBR (cook)	6 кбит/с, 128 кбит/с	8 КГц, 11,025 КГц, 22,05 КГц, 44,1 КГц
.wma, .wmv	WMA	128 кбит/с ~ 320 кбит/с	8 КГц ~ 48 КГц
	WMA 10 Pro M0	< 192 кбит/с	48 КГц
	WMA 10 Pro M1	< 384 кбит/с	48 КГц
	WMA 10 Pro M2	< 768 кбит/с	96 КГц
.webm	VORBIS		До 48 КГц

## Поддерживаемые форматы файлов с субтитрами для режима USB

Внутренние субтитры		
Расширение	Контейнер	Код субтитров
dat, mpg, mpeg, vob	MPG, MPEG	DVD Subtitle
ts, trp, tp	TS	DVB Subtitle
mp4	MP4	DVD Subtitle UTF-8 Plain Text
mkv	MKV	ASS SSA UTF-8 Plain Text VobSub DVD Subtitle

Внешние субтитры		
Расширение	Средство синтаксического анализа субтитров	Замечание
.srt	Subrip	
.ssa/ .ass	SubStation Alpha	
.smi	SAMI	
.sub	SubViewer MicroDVD DVDSusbtittleSystem SubIdx (VobSub)	Только SubViewer 1.0 и 2.0
.txt	TMPlayer	

## Indhold

Meddelelser, funktioner og tilbehør .....	4
Energieffektivitet .....	4
TV-rulleknop .....	4
Tænding og slukning .....	4
Førstegangsinstallation .....	4
Afspil mediefiler fra et USB-drev .....	5
Mediebrowsermenu .....	5
CEC .....	6
Skift TV-indstillinger .....	6
Visningsindstillinger .....	6
Lydindstillinger .....	6
Konfiguration af forældreindstillinger .....	6
Elektronisk Programguide (EPG) .....	7
Opdater dit TV .....	7
Fejlfinding & råd .....	8
Typiske skærmtilstande for PC-indgang .....	10
Signalkompatibilitet for AV og HDMI .....	10
Understøttede filformater til USB-tilstand .....	11
Understøttede billedfilformater for USB-tilstand ..	11
Understøttede Audio-filformater til USB-tilstand ..	12
Understøttede undertekst-filformater til USB-tilstand .....	13

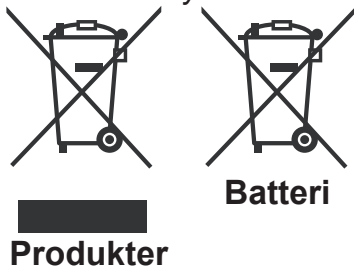
## Vigtigt

'Læs og forstå alle oplysningerne i den medfølgende Sikkerhedsbrochure, før du installerer og bruger dit TV. Hvis der opstår beskadigelse på grund af manglende overholdelse af disse anvisninger, gælder garantien ikke.'

### Bortskaffelse af gammelt udstyr og batterier

Bortskaf ikke dette TV eller batteriet som almindeligt husholdningsaffald. Hvis du vil bortskaffe dette produkt eller batteri, så påtæk venligst indsamlingssystemer eller ordninger for passende genbrug.

**NB:** Pb-mærket som sidder under batterisymbolet angiver, at dette batteri indeholder bly.





## Tekst-TV

Tryk på knappen **Text-TV** for at se digital tekst-TV-information. Tryk igen for at aktivere mix-tilstand, hvilket giver dig mulighed for at se Tekst-TV-siden og TV-udsendelsen samtidig. Tryk en gang mere for at afslutte. Når det er tilgængeligt, vil afsnit på Tekst-TV-siden blive farvekodet og kan vælges ved hjælp af de farvede knapper. Brug enten navigationsknapperne eller **Program +/-** knapperne til at bladre i siderne. Betjeningsmetoden kan variere afhængigt af indholdet af det digitale Tekst-TV. Følg instruktionerne på skærmen.

1. **Standby:** Kontakter Tænd / Sluk TV'et
2. **Tekst:** Viser tekst-TV (hvis tilgængelig), tryk igen for at lægge Tekst-TV over et normalt udsendelsesbillede (mix)
3. **Stop:** Stopper mediet, der afspilles
4. **Skærm:** Ændrer skærmens billedformat
5. **Kilde:** Viser alle tilgængelige udsendelser og indholdskilder
6. **Menu:** Viser TV-menuen.
7. **Skift:** Skifter hurtigt mellem forrige og nuværende kanaler eller kilder  
Hvis **Hoteltilstand** er indstillet til **Tændt**, vil et tryk på denne knap tænde netværks-kanaltyperne DVB-T&Analog, DVB-Kabel&Analog and DVB-Satellit&Analog
8. **Navigationsknapper:** Bruges til at navigere i menuer, indhold osv. og viser undersider i tekst-TV, når der trykkes Højre eller Venstre
9. **Program - / Side -** (i Tekst-TV-tilstand)
10. **Volumen -**
11. **Grøn knap:** Følg vejledningen på skærmen for farvede knapfunktioner
12. **Rød knap:** Følg vejledningen på skærmen for farvede knapfunktioner
13. **Numerisk knapper:** Skifter kanal, indtaster et tal eller bogstav i tekstboksen på skærmen.
14. **Undertekster:** Slår undertekster til og fra (hvis tilgængelig)
15. **Sprog:** Skifter mellem lydtilstande (analogt TV), viser og ændrer lyd/undertekstsprog (digitalt TV, hvis tilgængelig)
16. **Blå knap:** Følg vejledningen på skærmen for farvede knapfunktioner
17. **Gul knap:** Følg vejledningen på skærmen for farvede knapfunktioner
18. **Volumen +**
19. **Lydløs:** Slukker helt for lydstyrken på TV'et
20. **Program - / Side -** (i Tekst-TV-tilstand)
21. **Tilbage/Baglæns:** Vender tilbage til forrige skærm, åbner indeksside (i Tekst-TV-tilstand)
22. **OK :** Bekræfter brugervalg, holder siden (i Tekst-TV-tilstand), viser kanallisten
23. **Info:** Viser information om indhold på skærmen, viser skjult information (vis - i Tekst-TV-tilstand)
24. **Afspil:** Starter afspilning af valgt medie
25. **Pause:** Pauser mediet, der afspilles
26. **Sove:** Indstiller TV'et til at slukke automatisk
27. **EPG (elektronisk programoversigt):** Viser den elektroniske programoversigt

**Bemærk:** Fjernbetjeningens rækkevidde er ca. 7m / 23ft.



## Meddelelser, funktioner og tilbehør

### Energieffektivitet

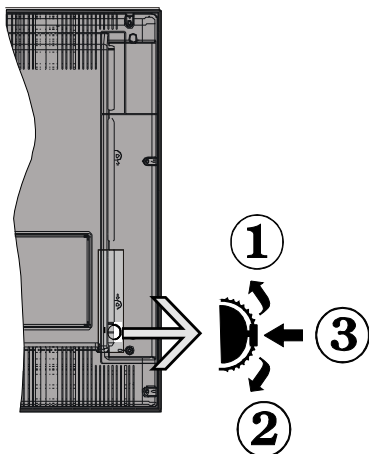
Dette TV er designet med energieffektivitetsfunktioner:

- **Energibesparelse:** Du kan anvende en kombination af energibesparende billedindstillinger. Mens du ser TV, tryk på knappen **Menu** og **Energibesparelses-**indstillingerne kan findes i **Billed-**afsnittet i Hovedmenuen.
- **Billede fra:** Hvis du kun vil lytte til lyd fra TV'et, kan du slukke skærmen. Andre funktioner fortsætter med at fungere normalt. Mens du ser TV, skal du trykke på Menu-knappen og vælge Billede, og derfra vælge **Strømbesparelses-**tilstand. Tryk på højre knap, mens **Auto** er valgt, eller Venstre knappen, mens **Brugerdefineret** er valgt. En besked vil blive vist på skærmen. Vælg **Gå videre**, og tryk på **OK**, for at slukke for skærmen med det samme. Hvis du ikke trykker på en knap, vil skærmen være slukket i 15 sekunder. Tryk på en knap på fjernbetjeningen eller på TV'et for at tænde for skærmen igen.

**Bemærk:** Skærm fra indstilling er ikke tilgængelig, hvis Tilstand er indstillet til **Spil**. Frakobl TV'et fra stikkontakten, hvis TV'et ikke skal bruges i lang tid.

### TV-rulleknap

TV-rulleknappen på siden af TV'et giver dig mulighed for at styre lydstyrken, skifte kanaler og sætte TV'et på standby.



**Sådan ændres lydstyrken:** Øg lydstyrken ved at rulle op. Mindsk lydstyrken ved at rulle ned.

#### For at skifte kanal:

- Tryk på midten af rulle knappen, kanalinformationsbanneret vil komme frem på skærmen.
- Rul gennem de gemte kanaler ved at trykke knappen op eller ned.

#### For at skifte kilde:

- Tryk to gange på midten af knappen (for anden gang i alt), kildelisten vises på skærmen.
- Rul gennem de gemte kanaler ved at trykke på op eller ned-knappen.

**Sådan skiftes TV'et til standby:** Tryk midten af knappen indog hold den nede i nogle få sekunder, TV'et vil gå i standby-tilstand

**For at tænde TV'et fra standbytilstand skal man:** Tryk midten af knappen ind, TV'et vil tænde.

#### Bemærkninger:

Hvis du slukker for TV'et, starter denne cirkel igen begyndende med lydstyrkeindstillingen.

Hovedmenu-OSD kan ikke vises via kontrolknapper.

### Tænding og slukning

#### Sådan tændes TV'et

For at tænde TV et fra standbytilstand skal man enten:

- Tryk på **Standby** knappen, **Program +/-** eller en numerisk tast på fjernbetjeningen.
- Tryk på midten af sidefunktionenskontakten på TV'et ind.

**Bemærk:** Hvis TV'et har været efterladt tændt og ikke været i brug et stykke tid, vil det skifte til Standby. Når TV'et tændes næste gang, vil følgende besked blive vist. Standby "**Årsag Ingen funktion**" Tryk på **OK** for at fortsætte.

#### Sådan slukkes TV'et

- Tryk på knappen **Standby** på fjernbetjeningen eller hold midten af betjeningsknappen på TV'et inde i nogle få sekunder, så det skifter til standbytilstand.

**Bemærk:** For at slukke TV'et helt, tag strømledningen ud af stikkontakten.

### Førstegangsinstallation

Du vil se skærmen for sprogvælger, når du første gang tænder for TV'et. Vælg dit foretrukne sprog og tryk på **OK**.

**Bemærk:** Hvis en USB-enhed er sluttet til TV'et, kan du trykke på den **GRØNNE** knap på fjernbetjeningen, inden du fortsætter, for at indlæse NVRAM-data (tjenestelisten, præferencer osv.) fra USB-enheden, der er uploadet fra et andet Philips Hotel TV. Se afsnittene "**Kopier til USB**" og "**Kopier fra USB**" under **Hoteltilstand** overskriften på siderne i slutningen af denne brugsanvisning.

Hvis den korrekte softwareopdateringsfil er forudinstalleret på USB-enheden, kan du trykke på den **RØDE** knap på fjernbetjeningen, inden du fortsætter, for at opgradere din TV-software. Softwareopdateringsfilen skal navngives som "VES162HE\_upgrade.bin" eller "Philips\_upgrade\_mb110.bin".

Softwareopgradering via en USB-enhed kan foretages når som helst ved hjælp af den skjulte tastekombination, "**Menu-1-5-0-5**".

Indstil dine præferencer ved hjælp af navigationsknapperne, og når du er færdig skal du trykke på **OK**, for at fortsætte.

Du kan indstille dit TV ved at følge førstegangsinstallations-skærmen (FTI) med følgende valg.

## Digital antenneinstallation:

Hvis **Antenne**-udsendelsessøgning er aktiveret, vil fjernsynet søge efter digitale jordbaserede udsendelser, efter at andre indledende indstillinger er foretaget.

## Digital kabelinstallation:

Hvis **Digital Kabel**-udsendelsessøgning er aktiveret, vil fjernsynet søge efter digitale kabelbaserede udsendelser, efter at andre indledende indstillinger er foretaget. Ifølge dine andre præferencer, kan en bekræftelse blive vist, før du begynder at søge. For automatisk installation, hvis din kabel-netværk leverandør understøtter et netværks-ID baseret installation (f.eks. Unitymedia), skal du vælge **Ja** i følgende skærbillede, og trykke på **OK**.

Hvis din kabel-netværksleverandør ikke understøtter et netværks-ID baseret installation skal du vælge **Nej**, trykke på **OK** og følge instruktionerne på skærmen.

Du kan også vælge frekvensområder fra denne skærm. Indtast frekvensområdet manuelt ved at benytte de numeriske taster.

**Bemærk:** Søgningens varighed varierer afhængigt af det valgte **Søgetrin**.

## Analog installation

Hvis **Analog** udsendelsessøgning er aktiveret, vil fjernsynet søge efter analoge udsendelser, efter at andre indledende indstillinger er foretaget.

Derudover kan du indstille en udsendelsestype som din favorit. Der vil blive givet prioritet til den valgte udsendelsestype under søgeprocessen og kanalerne i den vil blive noteret på toppen af **Kanallisten**. Tryk på **OK** knappen for at fortsætte, når du er færdig.

**Hjemme-tilstand / Butikstilstand** skærmen til valg følger. Det anbefales at vælge **Hjemmetilstand** ved brug i hjemmet.

Efter at de indledende indstillinger er udført, vil TV'et begynde at søge efter tilgængelige udsendelser blandt de valgte udsendelsestyper.

Mens søgningen fortsætter, kan der fremkomme en meddelelse som spørger om du vil sortere kanalerne i henhold til LCN(\*). Vælg **Ja** og tryk på **OK**, for at bekræfte.

(\* LCN er et logisk kanalnummer-system, der arrangerer tilgængelige udsendelser i overensstemmelse med en genkendelig kanalrækkefølge, (hvis denne er tilgængelig).

Når alle de tilgængelige stationer er blevet gemt, vises scanningsresultaterne på skærmen. Tryk på **OK** for at fortsætte. **Rediger Kanalliste**-menuen vil derefter blive vist. Tryk på **Menu**-knappen for at forlade **Rediger kanalliste** og se TV.

**Bemærk:** Sluk ikke for TV'et under førstegangsinstallation. Bemærk at nogle indstillinger er muligvis ikke tilgængelige afhængigt af det valgte land.

## Afspil mediefiler fra et USB-drev

Du kan afspille foto, musik og film, der er gemt på en USB-disk, ved at slutte den til dit TV. Tilslut en USB-disk til en af USB-indgangene, der er placeret på siden af TV'et. USB-enheden vil automatisk blive genkendt af TV'et når den forbindes til dit TV. Du kan også få adgang til **Mediebrowsers**-menuen fra TV'ets hovedmenu. Marker den kanal, du ønsker at skabe forbindelse til fra listen og tryk på **OK** for at forbinde.

Når du har valgt den ønskede medietype i de **Mediebrowsers** hovedmenu, vil et tryk på knappen **Menu** give adgang til **billede, lyd og Indstillinger**. Tryk på knappen **Menu** igen vil forlade skærmen. Du kan indstille dine **Mediebrowsers**-præferencer ved at bruge menuen **Indstillinger**.

For at aktivere **Auto Play-funktionen** fremhæves denne i menuen **Indstillinger** og indstillet til **ON** med retningsknapperne. Når denne funktion er aktiveret, detekterer TV'et tilsluttede USB-enheder og søger efter medie-filer.

Fotofiler søges først. Hvis der ikke findes fotofiler, søger programmet efter videofiler. Hvis der ikke findes videofiler, søger programmet efter audiofiler.






Efter at den har fundet en fil til afspilning, vil formatet af denne fil blive valgt som en konstant, og hver fil med dette format vil blive spillet i en uendelig løkke. Brug af fjernbetjeningen for at afslutte osv. vil afbryde afspilningen af filen(-r) og bryde afspilningsløkken.

Når fjernsynet ikke kan finde nogen mediefiler, vil hovedmenuen til mediebrowsersen blive vist på skærmen. Indstil **Visningsstil** som **Flad** for at søge alle filer i alle undermapper på USB-enheden.

**Bemærk:** Hvis TV'et er på standby, vil denne funktion ikke være tilgængelig.

**VIGTIGT!** Sikkerhedskopier dine filer, før du foretager nogen tilslutninger til TV'et. Producenten kan ikke holdes ansvarlig for skadede filer eller datatab. Visse USB-enheder (f.eks. MP3-afspillere) eller USB-harddiskdrev/-nøgler er muligvis ikke kompatible med dette TV.

## Mediebrowsersmenu

Sløjfe-/Blandfunktion	
Start afspilning med knappen <b>Afspil</b> og aktiver 	Alle filer på listen vil løbende blive afspillet i original rækkefølge
Start afspilning med knappen <b>OK</b> og aktiver 	Den samme fil afspilles i sløjfe (gentag)
Start afspilning med knappen <b>Afspil</b> og aktiver 	Alle filer på listen vil løbende blive afspillet i tilfældig rækkefølge
Start afspilning med knappen <b>Afspil</b> og aktiver  og 	Alle filer på listen vil løbende blive afspillet i samme tilfældige rækkefølge

## CEC

Denne funktion gør det muligt at styre de CEC-kompatible enheder, der er tilsluttet via HDMI-porte ved hjælp af fjernbetjeningen til TV'et.

**CEC-valget i System>Indstillinger>Mere** menuen skal først indstilles til **Aktiveret**. Tryk på **Kilde**-knappen og vælg HDMI-indgang på den tilsluttede CEC-enhed fra menuen **Kildeliste**. Når en ny CEC-kildeenhed er tilsluttet, vil den blive opført i kildemenuen med sit eget navn, i stedet for det tilsluttede HDMI-portnavn (såsom DVD-afspiller, optager 1 osv.).

TV'ets fjernbetjening er automatisk i stand til at udføre de vigtigste funktioner efter den tilsluttede HDMI-kilde er valgt.

For at afslutte denne funktion og styre TV'et via fjernbetjeningen igen, tryk og hold "0-Nul" knappen på fjernbetjeningen nede i 3 sekunder. Denne funktion kan også blive aktiveret eller deaktiveret under **System>Indstillinger>Mere** menuen.

TV'et understøtter også ARC (Audio Return Channel) funktionen. Denne funktion er en lydforbindelse med henblik på at erstatte andre kabler mellem fjernsynet og musiksystemet (A/V-modtager eller højttalersystem).

Når ARC er aktiv, slår TV 'et ikke sine øvrige lydudgange fra automatisk. Så du skal sænke lydstyrken manuelt på TV'et til nul, hvis du ønsker at høre lyd fra den tilsluttede lydenhed (samme som andre optiske eller koaksiale digitale udgange). Hvis du ønsker at ændre tilsluttede enheders lydstyrke, skal du vælge denne enhed fra kildelisten. I så fald bliver volumenkontrol-tasterne skiftet til den tilsluttede lydenhed.

**Bemærk:** ARC understøttes kun via HDMI1 input.

### System Audio Control

Giver mulighed for en audio-forstærker/receiver, der skal bruges med TV'et. Lydstyrken kan styres ved hjælp af fjernbetjeningen til TV'et. For at aktivere denne funktion indstilles **Højttalere** indstilling i **System> Indstillinger> Mere** menuen som **Forstærker**. TV-højttalerne slås fra, og lyden fra kilden, der ses vil blive leveret fra det tilsluttede lydssystem.

**Bemærk:** Den anvendte lydenhed skal understøtte funktionen til indstilling af systemets lyd og **CEC**-funktionen bør være **aktiveret**.

### Skift TV-indstillinger

For at få adgang valgmulighederne nedenfor, skal du gøre følgende;

- 1- Tryk på **Menu**-knappen
- 2- Fremhæv dit valg
- 3- Tryk på **OK** for at bekræfte

## Visningsindstillinger

**Tilstand:** Skifter billedtilstand til en af følgende: **Biograf, Spil, Sport, Dynamisk og Naturlig**.

(\* *Nogle indstillinger er muligvis ikke tilgængelige afhængigt af det valgte land.*)

**Kontrast:** Indstiller billedets lyse og mørke værdier.

**Lysstyrke:** Indstiller billedets lysstyrkeværdi.

**Skarphed:** Indstiller skarphedsværdien. En høj skarphedsværdi kan resultere i et klarere, skarpere billede, afhængigt af indholdet.

**Farve:** Indstiller farveværdien.

**Baggrundslys:** Styre lysstyrken for baggrundslyset. Funktionen Baggrundsbelysning vil være inaktiv, hvis **Energibesparelse** er indstillet til andet end **Brugerdefineret**.

## Lydindstillinger

**Lydstyrke:** Justerer lydstyrken.

**Equalizer:** Vælger equalizertilstanden.

**Balance:** Justerer hvorvidt lyden primært kommer fra højre eller venstre højttaler.

**Hovedtelefoner:** Indstiller lydstyrke for hovedtelefoner. Denne mulighed vil være inaktiv, hvis **hovedtelefon / lineout** er indstillet til **lineout**.

**Lydtilstand:** Indstiller den foretrukne lydtilstand.

**AVL:** Indstiller en grænse for maksimal lydstyrke.

**Hovedtelefoner/Lineout:** Denne indstilling er sat til **hovedtelefon**, hvis du har hovedtelefoner, eller **lineout**, hvis du har ekstern forstærker forbundet til hovedtelefonstikket.

**Dynamisk bas:** Aktiverer eller deaktiverer den dynamiske bas. Øger basintervallet.

**Surround-lyd:** Surround-lyd-tilstanden kan skiftes mellem **Til** og **Fra**.

**Digital udgang:** Indstiller lydtype for digital udgang.

## Konfiguration af forældreindstillinger

Denne funktion er til at begrænse adgangen til udvalgt indhold. Det styres af en PIN-kode, som du har valgt. Disse indstillinger er placeret i **Opsætning> Forældremenu**.

**Bemærk:** Standard-pinkoden kan indstilles til **0000** eller **1234**. Hvis du har defineret PIN-koden, (der anmodes om den, afhængigt af landevalg) under **Førstegangsinstallationen**, skal du bruge PIN-koden, som du har defineret.

*Nogle indstillinger er muligvis ikke tilgængelige afhængigt af det valgte land ved Førstegangsinstallationen.*

**Menulås:** Menulås aktiverer eller deaktiverer menuadgangen.

**Børnespærring (ekstra):** Når den er aktiveret, henter TV'et aldersanbefalingsoplysningerne fra udsendelsen og hvis dette aldersniveau er deaktiveret, deaktiveres adgang til udsendelsen.

**Børnesikring (ekstra):** Når Børnesikring er valgt, kan TV'et kun betjenes med fjernbetjeningen. I så tilfælde virker knapperne på betjeningspanelet ikke.

**Vejledning (valgfrit):** Denne indstilling aktiverer eller deaktiverer adgang til nogle af de MHEG applikationer. Handicappede applikationer kan frigives ved at indtaste den rigtige PIN-kode.

**Indstil PIN-kode:** Angiver en ny PIN-kode.

**Standard CICAM PIN:** Denne mulighed vises som nedtonet, hvis ikke CI-modulet er indsat i CI-stikket på TV'et. Du kan ændre standard PIN-koden for CICAM, ved at bruge denne indstilling.

### Elektronisk Programguide (EPG)

Nogle kanaler sender information om deres udsendelsestider. Tryk på knappen **EPG**, for at se EPG-menuen.

Der er 3 forskellige typer af tidsplan-layouts til rådighed, **Tidslinjeplan**, **Listeplan** og **nu/næste-plan**. For at skifte mellem dem, skal du følge instruktionerne på bunden af skærmen.

#### Tidslinjeoversigt

**Zoom (Gul knap):** Tryk på den **Gule** knap for at se begivenheder i et bredere tidsinterval.

**Filter (Blå knap):** Viser filterfunktioner.

**Vælg genre (Undertekst-knap):** Viser **Vælg genre** menu. Med denne funktion kan du søge efter genrer i programguidens database. Der vil blive søgt i oplysninger til rådighed i programguiden og resultaterne, der svarer til dine kriterier vil blive fremhævet.

**Valgmuligheder (OK-knap):** Viser event indstillinger.

**Begivenhedsdetaljer (Infoknap):** Viser detaljeret information om valgte events.

**Næste/forrige dag (Program +/-):** Viser events for forrige eller næste dag.

**Søg (Tekst-TV-knap):** Viser menuen "Guidesøgning".

**Nu (Skift button):** Viser den aktuelle begivenhed fra den fremhævede kanal.

#### Listeplan (\*)

(\*) I denne layout-mulighed vil kun begivenheder i den fremhævede kanal blive listet.

**Foreg. Tidsudsnit (Rød knap):** Viser events fra tidligere tidsrum.

**Næste/forrige dag (Program +/-):** Viser events for forrige eller næste dag.

**Begivenhedsdetaljer (Infoknap):** Viser detaljeret information om valgte events.

**Filter (Tekst-TV-knap):** Viser filterfunktioner.

**Næste tidsudsnit (Grøn knap):** Viser events fra forrige tidsplads.

**Valgmuligheder (OK-knap):** Viser event indstillinger.

#### Nu/Næste plan

**Naviger (Retningsknapper):** Tryk på **Navigation-knapperne**, for at navigere gennem kanalerne og programmerne.

**Valgmuligheder (OK-knap):** Viser event indstillinger.

**Begivenhedsdetaljer (Infoknap):** Viser detaljeret information om valgte events.

**Filter (Blå knap):** Viser filterfunktioner.

#### Eventmuligheder

Tryk på **OK**-knapen i EPG-menuen, for at åbne menuen **Hændelsesindstillinger**.

**Vælg kanal:** Du kan skifte til den valgte kanal i EPG-menuen ved hjælp af denne indstilling.

**Indstil Timer på Begivenhed / Slet timer på Begivenhed:** Efter du har valgt en event i EPG-menuen, skal du trykke på knappen **OK**. **Vælg funktionen** Indstil timer i hændelsesindstillinger og tryk på **OK**. Du kan indstille en timer til fremtidige events. Hvis du vil annullere en allerede indstillet timer, marker da eventet og tryk på knappen **OK**. Vælg derefter **Slet timer på Eventindstillinger**. Timeren slettes.

#### Opdater dit TV

Naviger i hovedmenuen, vælg **Indstillinger>Mere** og den aktuelle softwareversion vises.

**FORSIGTIG:** Undlad at installere en lavere softwareversion end den nuværende version, der er installeret på dit produkt. TP Vision kan ikke drages til ansvar eller gøres ansvarlig for problemer forårsaget af en softwarenedgradering.

#### Opdatering med USB

Før du opdaterer softwaren, skal du sørge for at du har:

- En USB-lagerenhed, der har mindst 256 megabyte lagerplads, er FAT32- eller DOS-formateret og har sin skrivebeskyttelse deaktiveret.
- Adgang til en computer med USB-stil og internet-adgang.

Gå til [www.philips.com/support](http://www.philips.com/support), følg softwareopdateringsinstruktionerne.

#### Automatisk opdatering fra digital udsendelse

Mens TV'et er sluttet til et antennesignal. Hvis **Automatic scanning** i **Opgraderingsmuligheder** menuen is **Aktiveret**, vågner TV'et op kl. 03:00 og søger efter nye softwareopgraderinger i udsendelseskanalerne. Hvis der findes og downloades ny software, som bliver installeret, åbnes TV'et med den nye softwareversion, næste gang det tændes. For at åbne **opgraderingen valgmenuen** indtaste **Indstillinger> Mere** menuen fremhæve **Software opgradering** og tryk på knappen **OK**.

**Bemærk:** Træk ikke strømkablet ud, mens lysdioden blinker under genstartprocessen. Hvis TV et ikke genstarter efter opdateringen, skal strømmen kobles fra i 2 minutter og derefter kobles til igen.

### **TV'et vil ikke tænde**

Sørg for, at strømledningen er sat korrekt i stikkontakten. Tjek om batterierne er brugt op. Tryk på tænd/sluk-knappen på TV'et.

### **Dårligt billede**

- Tjek, om du valgt det rigtige TV-system.
- Lavt signalniveau kan medføre billedforvrængning. Tjek venligst antenneadgangen.
- Kontrollér om du har indstillet den rigtige kanalfrekvens, hvis du har udført manuel indstilling.
- Billedkvaliteten kan forringes, hvis to enheder er tilsluttet TV'et samtidigt. I så fald skal du frakoble den ene enhed.

### **Intet billede**

- Dette betyder, at dit TV ikke modtager nogen transmission. Tjek, at du har valgt den korrekte kilde.
- Er antennen korrekt tilsluttet?
- Er antenneledningen beskadiget?
- Er der brugt de rigtige stik til tilslutning af antennen?
- Hvis du er i tvivl, skal du kontakte din forhandler.

### **Ingen lyd**

- Tjek, om TV'et er sat på lydløs. Tryk på knappen **Lydløs** eller skru op for lydstyrken for at tjekke.
- Der kommer kun lyd fra én højttaler Tjek balanceindstillingerne i **Lyd** menuen.

### **Fjernbetjening - ingen funktion**

- Måske er batterierne brugt op. Skift batterierne.

### **Indgangskilder - kan ikke vælges**

- Hvis man ikke kan vælge en signalkilde, kan det være fordi, at ingen enheder er blevet tilsluttet. Hvis ikke;
- Kontroller AV-kabler og forbindelser, hvis du forsøger at skifte til den indgangskilde dedikeret til den tilsluttede enhed.

## Specifikationer

<b>TV-udsendelse</b>	PAL BG/DK/II' SECAM BG/DK			
<b>Modtagende kanaler</b>	VHF (BAND I/III) - UHF (BAND U) - HYPERBAND			
<b>Digital modtagelse</b>	Fuldt integreret digitalt antennekabel TV(DVB-T-C) (DVB-T2-kompatibel)			
<b>Antal forudindstillede kanaler</b>	1.000			
<b>Kanalindikator</b>	Skærmmenu			
<b>RF antenneindgang</b>	75 Ohm (ubalanceret)			
<b>Driftspænding</b>	220-240V AC, 50Hz.			
<b>Audio</b>	German+Nicam Stereo			
<b>Skærm</b>	24"	32"	43"	49"
<b>Audio udgangseffekt (WRMS.) (10% THD)</b>	2x2,5W	2x6W	2x8W	2x8W
<b>Strømforsbrug (W)</b>	45W	65W	75W	75W
<b>Vægt (kg)</b>	3,45 kg	5,60 kg	9,30 kg	11,35 kg
<b>TV-dimensioner BxHxD (med fod) (mm)</b>	134x554x370 mm	185x735x478 mm	220x974x615 mm	220x1112x692 mm
<b>TV-dimensioner BxHxD (uden fod) (mm)</b>	35(min)/61(max)x554x339mm	77(min)/89(max)x735x438mm	64(min)/93(max)x974x572mm	60(min)/91(max)x1112x653mm
<b>Drifts-temperatur og -fugtighed:</b>	0°C op til 40°C, maks. 85% luffugtighed			

## Typiske skærmtilstande for PC-indgang

Den følgende tabel illustrerer nogle af de typiske video-displaytilstande.

Indeks	Opløsning	Frekvens
1	640x350	85Hz
2	640x400	70Hz
3	640x480	60Hz
4	640x480	66Hz
5	640x480	72Hz
6	640x480	75Hz
7	640x480	85Hz
8	800x600	56Hz
9	800x600	60Hz
10	800x600	70Hz
11	800x600	72Hz
12	800x600	75Hz
13	800x600	85Hz
14	832x624	75Hz
15	1024x768	60Hz
16	1024x768	66Hz
17	1024x768	70Hz
18	1024x768	72Hz
19	1024x768	75Hz
20	1024x768	85Hz
21	1152x864	60Hz
22	1152x864	70Hz
23	1152x864	75Hz
24	1152x864	85Hz
25	1152x870	75Hz
26	1280x768	60Hz
27	1360x768	60Hz
28	1280x768	75Hz
29	1280x768	85Hz
30	1280x960	60Hz
31	1280x960	75Hz
32	1280x960	85Hz
33	1280x1024	60Hz
34	1280x1024	75Hz
35	1280x1024	85Hz
36	1400x1050	60Hz
37	1400x1050	75Hz
38	1400x1050	85Hz
39	1440x900	60Hz
40	1440x900	75Hz
41	1600x1200	60Hz
42	1680x1050	60Hz
43	1920x1080	60Hz
44	1920x1200	60Hz

## Signalkompatibilitet for AV og HDMI

Kilde	Understøttede signaler		Tilgængelig
EXT (SCART)	PAL		O
	SECAM		O
	NTSC4.43		O
	NTSC3.58		O
	RGB 50/60		O
Side AV	PAL		O
	SECAM		O
	NTSC4.43		O
	NTSC3.58		O
PC/YPbPr	480i, 480p	60Hz	O
	576i, 576p	50Hz	O
	720p	50Hz,60Hz	O
	1080i	50Hz,60Hz	O
HDMI	480i, 480p	60Hz	O
	576i, 576p	50Hz	O
	720p	50Hz,60Hz	O
	1080i	50Hz,60Hz	O
	1080p	24Hz, 25Hz, 30Hz, 50Hz, 60Hz	O

## Understøttede filformater til USB-tilstand

Endelse	Video Codec	SPEC (Opløsning) & Bitrate
.dat, vob	MPEG1/2	1080P@30fps - 40 Mbps
.mpg .mpeg	MPEG1/2, MPEG4	
.ts, .trp, .tp	MPEG1/2, H.264, AVS, MVC	<b>H.264:</b> 1080Px2@30fps - 62.5 Mbps, 1080P@60fps - 62.5 Mbps <b>MVC:</b> 1080P@30fps - 62.5 Mbps <b>andet:</b> 1080P@30fps - 40Mbps
.mp4, .mov, .3gpp, .3gp	MPEG1/2, MPEG4, H.263, H.264, Motion JPEG	<b>H.264:</b> 1080Px2@30fps - 62.5 Mbps, 1080P@60fps - 62.5 Mbps <b>Motion JPEG:</b> 640x480@30fps - 10 Mbps <b>Other:</b> 1080P@30fps - 40 Mbps
.avi	MPEG1/2, MPEG4, Sorenson H.263, H.263, H.264, WMV3, Motion JPEG	
.mkv	MPEG1/2, MPEG4, H.263, H.264, WMV3, Motion JPEG	
.asf	Sorenson H.263, H.264, WMV3, Motion JPEG	
.flv	WMV3	1080P@30fps - 40 Mbps
.swf	RV30/RV40	1080P@30fps - 40 Mbps
.wmv		
.mp4, .mov, .3gpp, .3gp, MPEG transport stream, .ts, .trp, .tp, .mkv	PCM/H.265	1080P@60fps - 50Mbps

## Understøttede billedfilformater for USB-tilstand

Billede	Foto	Opløsning (bredde x højde)	Kommentarer
JPEG	Base-line	15360x8640	Grænsen for max opløsning afhænger af DRAM størrelse
	Progressiv	1024x768	
PNG	non-interlace	9600x6400	
	interlace	1200x800	
BMP		9600x6400	



## Understøttede Audio-filformater til USB-tilstand

Endelse	Audio Codec	Bitrate	Samplingsfrekvens	
.mp3,	MPEG1/2 Layer1	32Kbps ~ 448Kbps	16KHz ~ 48KHz	
	MPEG1/2 Layer2	8Kbps ~ 384Kbps		
	MPEG1/2 Layer3	8Kbps ~ 320Kbps		
.avi	MPEG1/2 Layer1	32Kbps ~ 448Kbps	16KHz ~ 48KHz	
	MPEG1/2 Layer2	8Kbps ~ 384Kbps		
	MPEG1/2 Layer3	8Kbps ~ 320Kbps		
	AC3	32Kbps ~ 640Kbps	32KHz, 44,1KHz, 48KHz	
	AAC, HEAAC		8KHz ~ 48KHz	
	WMA	128bps ~ 320Kbps	8KHz ~ 48KHz	
	WMA 10 Pro M0	< 192kbps	48KHz	
	WMA 10 Pro M1	< 384kbps	48KHz	
	WMA 10 Pro M2	< 768kbps	96KHz	
	LPCM	64Kbps ~ 1.5Mbps	8KHz ~ 48KHz	
.asf	MPEG1/2 Layer1	32Kbps ~ 448Kbps	16KHz ~ 48KHz	
	MPEG1/2 Layer2	8Kbps ~ 384Kbps		
	MPEG1/2 Layer3	8Kbps ~ 320Kbps		
	WMA	128bps ~ 320Kbps	8KHz ~ 48KHz	
	WMA 10 Pro M0	< 192kbps	48KHz	
	WMA 10 Pro M1	< 384kbps	48KHz	
	WMA 10 Pro M2	< 768kbps	96KHz	
	.mkv, .mka	MPEG1/2 Layer1	32Kbps ~ 448Kbps	16KHz ~ 48KHz
		MPEG1/2 Layer2	8Kbps ~ 384Kbps	
		MPEG1/2 Layer3	8Kbps ~ 320Kbps	
AC3		32Kbps ~ 640Kbps	32KHz, 44,1KHz, 48KHz	
AAC, HEAAC			8KHz ~ 48KHz	
WMA		128bps ~ 320Kbps	8KHz ~ 48KHz	
WMA 10 Pro M0		< 192kbps	48KHz	
WMA 10 Pro M1		< 384kbps	48KHz	
WMA 10 Pro M2		< 768kbps	96KHz	
VORBIS			Up to 48KHz	
LPCM		64Kbps ~ 1.5Mbps	8KHz ~ 48KHz	
IMA-ADPCM, MS-ADPCM		384Kbps	8KHz ~ 48KHz	
G711 A/mu-law		64Kbps ~ 128Kbps	8KHz	
FLAC	< 1.6Mbps	8KHz ~ 96KHz		
.ts, .trp, .tp, .dat, .vob, .mpg, .mpeg	MPEG1/2 Layer1	32Kbps ~ 448Kbps	16KHz ~ 48KHz	
	MPEG1/2 Layer2	8Kbps ~ 384Kbps		
	MPEG1/2 Layer3	8Kbps ~ 320Kbps		
	AC3	32Kbps ~ 640Kbps	32KHz, 44,1KHz, 48KHz	
	EAC3	32Kbps ~ 6Mbps	32KHz, 44,1KHz, 48KHz	
	AAC, HEAAC		8KHz ~ 48KHz	
	LPCM	64Kbps ~ 1.5Mbps	8KHz ~ 48KHz	

Endelse	Audio Codec	Bitrate	Samplingsfrekvens
.wav	MPEG1/2 Layer1	32Kbps ~ 448Kbps	16KHz ~ 48KHz
	MPEG1/2 Layer2	8Kbps ~ 384Kbps	
	MPEG1/2 Layer3	8Kbps ~ 320Kbps	
	LPCM	64Kbps ~ 1.5Mbps	8KHz ~ 48KHz
	IMA-ADPCM, MS-ADPCM	384Kbps	8KHz ~ 48KHz
	G711 A/mu-law	64Kbps ~ 128Kbps	8KHz
.3gp, .3gp, .mp4, .mov, .m4a	MPEG1/2 Layer3	8Kbps ~ 320Kbps	16KHz ~ 48KHz
	AC3	32Kbps ~ 640Kbps	32KHz, 44,1KHz, 48KHz
	EAC3	32Kbps ~ 6Mbps	32KHz, 44,1KHz, 48KHz
	AAC, HEAAC		8KHz ~ 48KHz
	VORBIS		Up to 48KHz
	LPCM	64Kbps ~ 1.5Mbps	8KHz ~ 48KHz
	IMA-ADPCM, MS-ADPCM	384Kbps	8KHz ~ 48KHz
	G711 A/mu-law	64Kbps ~ 128Kbps	8KHz
.flv	MPEG1/2 Layer3	8Kbps ~ 320Kbps	16KHz ~ 48KHz
	AAC, HEAAC		8KHz ~ 48KHz
.ac3	AC3	32Kbps ~ 640Kbps	32KHz, 44,1KHz, 48KHz
	AAC, HEAAC		8KHz ~ 48KHz
.swf	MPEG1/2 Layer3	8Kbps ~ 320Kbps	16KHz ~ 48KHz
.ec3	EAC3	32Kbps ~ 6Mbps	32KHz, 44,1KHz, 48KHz
.rm, .rmvb, .ra	AAC, HEAAC		8KHz ~ 48KHz
	LBR (cook)	6Kbps ~ 128Kbps	8KHz., 11,025KHz., 22,05KHz., 44,1KHz
.wma, .wmv	WMA	128bps ~ 320Kbps	8KHz ~ 48KHz
	WMA 10 Pro M0	< 192kbps	48KHz
	WMA 10 Pro M1	< 384kbps	48KHz
	WMA 10 Pro M2	< 768kbps	96KHz
.webm	VORBIS		Up to 48KHz

## Understøttede undertekst-filformater til USB-tilstand

Interne undertekster		
Endelse	Container	Undertekstkode
dat, mpg, mpeg, vob	MPG, MPEG	DVD Undertekst
ts, trp, tp	TS	DVB Undertekst
mp4	MP4	DVD Undertekst UTF-8 ren tekst
mkv	MKV	ASS SSA UTF-8 Ren tekst VobSub DVD Undertitel

Eksterne undertekster		
Endelse	Undertitel-parser	Kommentarer
.srt	Subrip	
.ssa/ .ass	SubStation Alpha	
.smi	SAMI	
.sub	SubViewer MicroDVD DVDUndertekstSystem SubIdx (VobSub)	SubViewer 1.0 & 2.0 Only
.txt	TMPlayer	

## Sisällys

Huomautukset, ominaisuudet ja lisävarusteet.....	4
Tehokkuus .....	4
TV:n vierityspainike .....	4
Päälle/pois kytkeminen.....	4
Ensisienustus .....	4
Mediatiedostojen toistaminen USB-asemalta.....	5
Mediaselainvalikko .....	5
CEC .....	6
Television asetusten muuttaminen .....	6
Näytä asetukset.....	6
Ääniasetukset .....	6
Lapsilukkoasetukset .....	6
Elektroninen ohjelmaopas (EPG) .....	7
Päivitä TV:si.....	7
Vianmääritys & ohjeita.....	8
Tietokonetulon tyypilliset näyttötilat .....	10
AV- ja HDMI-signaalin yhteensopivuus.....	10
Tuetut videotiedostomuodot USB-tilassa .....	11
Tuetut kuvatiedoston formaatit USB-tilaa varten .	11
Tuetut äänitiedostomuodot USB-tilassa .....	12
Tuetut tekstitysmuodot USB-tilassa.....	13

## Tärkeää

Lue huolella kaikki turvallisuusvihkosessa olevat tiedot ennen kuin asennat ja alat käyttämään televisiotasi. Jos televisiosi vaurioituu näiden ohjeiden noudattamatta jättämisen vuoksi, takuu ei ole voimassa.

### Vanhojen laitteiden ja paristojen hävitys

Älä hävitä tätä televisiota tai sen paristoja tavallisen kotitalousjätteen mukana. Jos hävität tämän tuotteen tai sen paristot, vie ne käytössä oleviin kierrätys- ja keräyspisteisiin.

**Huomautus:** Pb-merkki paristoissa symbolin alapuolella tarkoittaa, että ne sisältävät lyijyä.



**Tuotteet**



**Akku**



### Teksti-TV

Paina **Text**-painiketta teksti-TV tietojen näyttämiseksi. Paina uudelleen sekoitettu-tilan aktivoimiseksi, jolloin näet Teksti-TV sivun ja TV-lähetyksen samanaikaisesti. Paina vielä kerran poistuaksesi. Kun käytössä, on osa Teksti-TV:n sivusta tai sivu värillinen ja se voidaan valita vastaavilla värinäppäimillä. Käytä suuntapainikkeita tai **Ohjelma +/-** painikkeita sivujen selaamiseksi. Käyttötapa voi erota riippuen teksti-TV:n sisällöstä. Noudata ruudussa annettuja ohjeita.

1. **Valmiustila:** Kytkee TV:n päälle/pois päältä
2. **Text:** Näyttää teksti-TV:n (jos käytettävissä), paina uudelleen tekstin näyttämiseksi tavallisen kuvan päällä (yhdistelmä)
3. **Pysäytä:** Pysäyttää toistettavan median
4. **Ruutu:** Muuttaa ruudun kuvasuhdetta
5. **Lähde:** Näyttää kaikki lähetyks- ja sisältölähteet
6. **Valikko:** Näyttää TV-valikon
7. **Vaihda:** Vaihtaa nopeasti edellisen ja nykyiset kanavat tai lähteen välillä

Jos **Hotel TV -tila** on asetettu **Päälle**, painamalla tätä painiketta vaihtaa verkon Kasnavatyyppin DVB-T&Analoginen, DVB-Kaapeli&Analoginen ja DVB-Satelliitti&Analoginen välillä

8. **Navigointipainikkeet:** Auttaa valikoiden sisällön jne. selaamisessa ja näyttää alisivut Teksti-TV tilassa, kun sitä painetaan oikealle tai vasemmalle
9. **Ohjelma - / Sivun -** (Teksti-TV-tilassa)
10. **Äänenvoimakkuus -**
11. **Vihreä -painike:** Seuraa ruudulle tulevia ohjeita saadaksesi lisötietoja värillisten painikkeiden toiminnoista
12. **Punainen painike:** Seuraa ruudulle tulevia ohjeita saadaksesi lisötietoja värillisten painikkeiden toiminnoista
13. **Numeropainikkeet:** Vaihtaa kanavan, syöttää numeron tai kirjaimen näytön tekstiruutuun.
14. **Tekstitys:** Kytkee tekstitykset päälle ja pois (jos käytettävissä)
15. **Kieli:** Vaihtaa äänitilojen (analoginen TV), näyttöjen ja ääni-/tekstityskielen välillä (digitaal-TV, jos käytettävissä)
16. **Sininen painike:** Seuraa ruudulle tulevia ohjeita saadaksesi lisötietoja värillisten painikkeiden toiminnoista
17. **Keltainen -painike:** Seuraa ruudulle tulevia ohjeita saadaksesi lisötietoja värillisten painikkeiden toiminnoista
18. **Äänenvoimakkuus +**
19. **Vaimenna:** Vaimentaa TV:n äänen kokonaan
20. **Ohjelma + / Sivun +** (Teksti-TV-tilassa)
21. **Palaa/Takaisin:** Palaa takaisin edelliseen näyttöön, avaa hakemistosivun (teksti-TV tilassa)
22. **OK** Vahvistaa käyttäjän valinnat, pitää sivun (teksti-TV tilassa), näyttää kanavalistan
23. **Tiedot:** Näyttää tietoja ruudulla esitetyn ohjelman sisällöstä, näyttää piilotetut tiedot (näytä - teksti-TV tilassa)
24. **Toista:** Käynnistää valitun median toiston
25. **Tauko:** Keskeyttää toistettavan median
26. **Lepo:** Asettaa TV:n sammumaan automaattisesti
27. **EPG (elektroninen ohjelmaopas):** Näyttää elektronisen ohjelmaoppaan

**Huomaa:** Kaukosäätimen käyttöalue on noin 7 m / 23 jalkaa.

## Huomautukset, ominaisuudet ja lisävarusteet

### Tehokkuus

Tämä TV on varustettu energiansäästöominaisuuksilla:

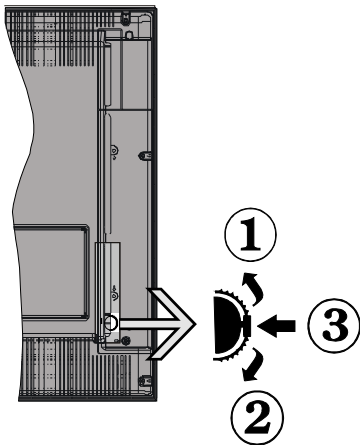
• **Energiansäästö:** Voit käyttää televisiosi kanssa erilaisia energiaa säästäviä kuva-asetuksia. Katsoessasi televisiota, paina **Menu**-painiketta jolloin **Virransäästötilan** asetukset löytyvät päävalikon **Kuva** -osiosta.

• **Kuva pois päältä -tila:** Jos haluat vain kuunnella televisiosi ääntä, voit kytkeä ruudun pois päältä. Muut toiminnot jatkavat toimintaansa normaalisti. Televisiota katsoessasi paina **Menu**-painiketta ja valitse **Kuva**, ja sieltä **Virransäästötila** vaihtoehto. Paina Oikeaa painiketta kun **Auto** vaihtoehto on valittuna tai Vasenta painiketta kun **Mukautettu** vaihtoehto on valittuna. Viesti näkyy ruudulla. Valitse **Jatka** ja paina **OK** kääntääksesi näytön välittömästi pois päältä. Mikäli mitään painiketta ei paineta, näyttö kääntyy pois päältä 15 sekunnin kuluttua. Paina mitä tahansa painiketta kaukosäätimestä tai TV:stä avataksesi ruudun uudelleen.

**Huomaa:** Näyttö pois päältä valinta ei ole käytettävissä, jos Tilaksi on valittu **Peli**. Kytke televisiosi pois päivirrasta jos televisiosi on pois päältä pidemmän aikaa.

### TV:n vierityspainike

TV:n vierityspainike television sivussa auttaa sinua äänenvoimakkuuden ja kanavanvaihdon hallinnassa sekä television valmiustilaan kytkemisessä.



**Säätääksesi äänenvoimakkuutta:** Lisää äänenvoimakkuutta vierittämällä ylös. Vähennä äänenvoimakkuutta vierittämällä alas.

**Vaihtaaksesi kanavaa:**

- Painamalla keskimäinen painike pohjaan tietopalkki ilmestyy kuvaruutuun.
- Selaa tallennettuja kanavia painamalla painiketta ylös tai alas.

**Vaihtaaksesi lähteen:**

- Paina keskimäinen painike pohjaan kahdesti (yhteensä kaksi kertaa), lähdeluettelo ilmestyy ruutuun.

- Selaa käytettävissä olevia lähteitä painamalla painiketta ylös tai alas.

**TV:n kytkeminen valmiustilaan:** Paina keskimäinen painike pohjaan ja pidä sitä pohjassa muutaman sekunnin ajan, kunnes TV kytkeytyy valmiustilaan.

**TV:n kytkeminen pois valmiustilasta:** Paina keskimäinen painike pohjaan, TV kytkeytyy päälle.

**Huomautukset:**

*Jos TV sammutetaan, käynnistyy tämä kierto uudelleen äänenvoimakkuuden asetuksesta.*

*Päävalikon ruutunäyttöä ei voida näyttää ohjainnäppäimillä.*

### Päälle/pois kytkeminen

**TV:n kytkeminen päälle**

Kytkeäksesi TV:n päälle valmiustilasta suorita jokin seuraavista;

- Paina **Valmiustila-**, **Ohjelma +/-** tai numeropainiketta kaukosäätimestä.
- Paina TV:n sivulla olevan toimintokytkimen keski-kohtaa.

**Huomaa:** Jos TV on jätetty päälle eikä sitä ole käytetty vähään aikaan se siirtyy valmiustilaan. Kun kytket television päälle seuraavan kerran päälle, ruutuun tulee ilmoitus: **"Valmiustila, ei käyttöä"** Paina **OK** jatkaaksesi.

**TV:n kytkeminen pois päältä**

- Paina **Valmiustila**-painiketta kaukosäätimestä, tai paina TV:n sivulla olevan toimintokytkimen keski-kohtaa ja pidä sitä pohjassa muutaman sekunnin ajan, jolloin TV siirtyy valmiustilaan.

**Huomaa:** Kytke virta pois kokonaan irrottamalla virtajohto pistorasiasta.

### Ensiasennus

Näet kielivalintaruudun, kun kytket televisiosi päälle ensimmäistä kertaa. Valitse haluamasi kieli ja paina **OK**.

**Huomaa:** Jos USB-laite on liitetty televisioon, voit painaa **VIHREÄÄ** -painiketta kaukosäätimestä ennen jatkamista, ladataksesi NVRAM-tiedot (palvelulista, asetukset jne.) USB-laitteesta, jotka on siirretty toiselta Philips Hotel TV:ltä. Katso **"Kopiointi USB-laitteelle"** ja **"Kopiointi USB-laitteelta"** kohdasta **Hotel TV** tämän ohjekirjan lopusta.

Jos sopiva ohjelmistopäivitys on asennettu USB-laitteelle, voit painaa **PUNAISTA** -painiketta kaukosäätimestä ennen jatkamista, päivittääksesi televisiosi ohjelmiston uudempaan versioon. Tämä ohjelmistopäivitys tulisi nimetä muotoon "VES162HE\_upgrade.bin" tai "Philips\_upgrade\_mb110.bin".

USB-laitteen kautta tapahtuva ohjelmistopäivitys voidaan käynnistää milloin tahansa käyttäen salaista näppäinyhdistelmää, **"Menu-1-5-0-5"**.

Seuraavalla ruudulla, määritä asetukset käyttämällä suuntapainikkeita ja kun olet valmis, paina **OK** jatkaaksesi.

Voit asettaa televisiosi alkuasetukset seuraamalla ensiasennusruudun ohjeita ja valitsemalla seuraavat asetukset.

### Digitaalinen antenni-tv

Mikäli **Digitaalinen Antenni**-hakuheito on käännetty päälle, televisio hakee digitaalisia maanpäällisiä lähettyksiä, kun muut asetukset on annettu.

### Digitaalinen kaapeli-tv

Jos **Digitaalisten Kaapeli-tv**-kanavien haku on asetettu päälle, televisio etsii digitaalisia kaapeli-tv-lähettyksiä kun muut alkuasetukset on suoritettu. Muista asetuksista riippuen vahvistusviesti saatetaan esittää ruudulla ennen haun käynnistymistä. Jos kaapeliverkon tarjoajasi tukee verkkotunnistusta (esim. Unitymedia) valitse **Kyllä** ja paina **OK** automaattista asennusta varten.

Jos kaapeliverkon tarjoajasi ei tue verkkotunnistusta valitse **Ei**, paina **OK** ja seuraa ruudulle ilmestyviä ohjeita.

Voit myös valita taajuusalueet tästä ruudusta. Numeronäppäimillä voit manuaalisesti valita taajuusalueet.

**Huomaa:** *Viritysaika vaihtelee valitun Etsi Step mukaan.*

### Analogisten kanavien haku

Mikäli Analoginen-vaihtoehto on valittuna, televisio hakee analogisia lähettyksiä, kun muut asetukset on tehty.

Voit myös asettaa lähetystyyppi suosikiksesi. Valitsemasi lähetystyyppi saa ensisijan kanavia haettaessa ja sen löytämät kanavat näkyvät **Kanavalista** huipulla. Kun olet valmis, paina **OK**-näppäintä jatkaaksesi.

**Kotitila / Esittelytila** valintaruutu tulee esiin. **Aloitus** varten suosittelemme Kotitilaa.

Kun ensiasetukset on tehty televisio alkaa hakea saatavilla olevia lähettyksiä valitsemiesi lähetystyyppien mukaisesti.

Haun jatkuessa esiin tulee viesti, jossa sinulta kysytään haluatko järjestää kanavat **LCN(\*)-järjestelmän mukaisesti**. Valitse **Kyllä** ja paina **OK** vahvistaaksesi valinnan.

(\*) *Looginen kanavajärjestys lajittelee saatavilla olevat lähettykset tunnistettavan kanavajärjestyksen mukaisesti (mikäli saatavilla).*

Kun kaikki saatavilla olevat asemat on tallennettu, hakutulokset näkyvät ruudulla. Jatka painamalla **OK**. Seuraavaksi **Muokkaa kanavaluetteloa** -valikko ilmestyy ruutuun. Paina **Valikko**-painiketta poistuaksesi **Muokkaa kanavalistaa** -toiminnosta ja katsellaksesi televisiota.

**Huomaa:** *Älä sammuta TV:tä alkuasetusten ollessa käynnissä. Huomaa että jotkin asetukset eivät välttämättä ole saatavilla riippuen valitsemastasi sijainnista.*

## Mediatiedostojen toistaminen USB-asemalta

Voit toistaa USB-levylle tallennettuja kuva-, musiikki- ja videotiedostoja liittämällä sen televisioon. Liitä USB-levy yhteen television takaosassa sijaitsevista USB-liitännöistä. TV tunnistaa USB-laitteen automaattisesti ja **Mediaselain** -valikko näytetään. Voit myös avata **Mediaselain**-valikon TV:n päävalikosta. Paina **Menu**-painiketta, valitse **Mediaselain** luettelosta ja paina **OK**-painiketta.

Kun olet valinnut mediatyyppin **Mediaselain**-valikosta painamalla **Menu**-painiketta, voit näyttää **Kuva**, **Ääni** ja **Asetukset** valikkovaihtoehdot. Painamalla **Menu**-painiketta uudelleen ikkuna sulkeutuu. Voit muokata **Mediaselaimen** käyttämällä **Asetukset**-valikkoa.

Asettaaksesi **Auto Play** ominaisuuden päälle, korosta tämä valinta **Asetukset**-valikosta ja aseta se **Päälle** käyttäen suuntapainikkeita. Tämän ominaisuuden ollessa päällä, the TV tunnistaa siihen liitetyt USB-laitteet ja hakee mediatiedostoja.

Ensin haetaan kuvatiedostoja. Jos kuvatiedostoja ei löydy, haetaan videotiedostoja. Jos videotiedostoja ei löydy, haetaan musiikkitiedostoja.

Kun televisio löytää toistettavan tiedoston, tämän tiedoston muoto valitaan pysyväksi valinnaksi ja muita samanmuotoisia tiedostoja toistetaan peräkkäin loputtomasti. Käyttäessäsi kaukosäädintä poistuaksesi jne. tiedosto(jen) toisto keskeytyy ja loputon toisto katkeaa.

Jos televisio ei löydä mediatiedostoja, mediaselaimen päävalikko ilmestyy ruutuun. Valitse **Tarkastelutavaksi Tasainen** jotta USB-laitteen kaikkien alihakemistojen tiedostoja haetaan.

**Huomaa:** *Jos TV on valmiustilassa, tätä toimintoa ei ole saatavilla.*

**TÄRKEÄÄ!** Varmuuskopioi tiedostosi ennen kuin kytket USB-laitteen televisioon. Valmistaja ei vastaa mistään tiedostojen vahingoittumisesta tai tietojen katoamisesta. On mahdollista, että tietyt tyyppiset USB-laitteet, esim. MP3-soittimet tai USB-kovalevyasemat/muistitikut eivät ole yhteensopivia tämän TV:n kanssa.

## Mediaselainvalikko

<b>Kierrätä/Sekoita -Tilan Toiminta</b>	
Aloita toisto <b>Toisto</b> -painikkeella ja aktivoi 	Kaikki soittolistan tiedostot toistetaan jatkuvalla toistolla alkuperäisessä järjestyksessä
Aloita toisto <b>OK</b> -painikkeella ja aktivoi 	Sama tiedosto toistetaan jatkuvalla toistolla (toista)
Aloita toisto <b>Toista</b> -painikkeella ja aktivoi 	Kaikki soittolistan tiedostot toistetaan kerran satunnaisessa järjestyksessä
Aloita toisto <b>Toista</b> -painikkeella ja aktivoi 	Kaikki soittolistan tiedostot toistetaan jatkuvalla toistolla samassa satunnaisessa järjestyksessä

## CEC

Tämä toiminto mahdollistaa HDMI-portteihin television kaukosäätimen avulla liitettyjen CEC-laitteiden hallinnan.

**CEC-valinta Asetukset>Lisää** -valikosta tulee asettaa ensin **Päälle**. Paina **Lähde** -painiketta ja valitse liitettävän CEC-laitteen HDMI-tulo **Lähdeluettelo** -valikosta. Kun uusi CEC-lähde on liitetty, se lisätään lähdevalikkoon omalla nimellään eikä liitetyn HDMI-portin nimellä (kuten DVD-soitin, Tallennin 1 jne.). Television kaukosäädin pystyy suorittamaan päätoiminnot automaattisesti, kun liitetty HDMI-lähde on valittu.

Päätätäksesi tämän toiminnon ja hallitaksesi televisiota jälleen kaukosäätimen avulla, paina ja pidä painettuna kaukosäätimen "0-Nolla" -painiketta 3 sekunnin ajan. Tämä ominaisuus voidaan myös ottaa käyttöön tai poistaa käytöstä **Asetukset>Lisää** -valikosta.

Television tukee myös ARC (audiopaluukanava) -ominaisuutta. Tämä ominaisuus on audiodiagnostiikka, jonka tehtävänä on korvata muut kaapelit television ja audiodiagnostiikan välillä (A/V-vastaanotin tai kaiutinjärjestelmä).

ARC:n ollessa aktiivinen, television ei mykistä sen muita äänen lähtöjä automaattisesti. Sinun tulee asettaa television äänenvoimakkuus nolnaan, mikäli haluat kuulla äänen vain liitettyltä audiolaitteelta (sama kuin muissa optisissa tai koaksiaalidigitaalidiagnostiikoidissa). Mikäli haluat muuttaa liitetyn laitteen äänenvoimakkuuden tasoa, sinun tulee valita tämä laite lähdeluettelosta. Tässä tapauksessa äänenvoimakkuuden hallintapainikkeet ohjataan liitettyyn audiolaitteeseen.

**Huomaa:** ARC:ta tuetaan vain HDMI1-tulon kautta.

### Järjestelmän äänentehdäminen

Mahdollistaa äänenvahvistimen/vastaanottimen käytön television kanssa. Äänenvoimakkuutta voidaan hallita television kaukosäätimen avulla. Aktivoidaksesi tämän ominaisuuden aseta **Kaiuttimet** vaihtoehdo **Asetukset>Lisää** valikosta tilaan **Vahvistin**. Television kaiuttimet vaimennetaan ja katsellun lähteen äänet tulevat liitetystä äänentoistojärjestelmästä.

**Huomaa:** Audiolaitteen tulee tukea System Audio Control -ominaisuutta ja CEC-valinnan tulee olla **Käytössä**.

### Television asetusten muuttaminen

Pääset alla lueteltuihin asetuksiin seuraavalla tavalla;

- 1- Paina **Menu**-painiketta
- 2- Korosta valintasi
- 3- Paina **OK** vahvistaaksesi

## Näytä asetukset

**Tila:** Muuttaa kuvatilaa yhteen seuraavista: **Elokuva**, **Peli(\*)**, **Urheilu**, **Dynaminen** tai **Luonnollinen**.

(\*) **Peli-kuvatila** ei välttämättä ole saatavilla riippuen valitusta lähteestä.

**Kontrasti:** Säättää kuvan tummimman ja vaaleimman kohdan välistä eroa.

**Kirkkaus:** Säättää kuvan kirkkautta.

**Terävyys:** Säättää kuvan terävyyttä. Korkea terävyys voi johtaa selkeämpään, eloisampaan kuvaan sisälöstä riippuen.

**Väri:** Säättää värejä.

**Taustavalo:** Säättää taustavalon kirkkautta. Taustavalo toimintoa ei ole käytettävissä jos **Energiansäästöasetus** on asetettu muuhun kuin tilaan **Mukautettu**.

## Ääniasetukset

**Äänenvoimakkuus:** Säättää äänenvoimakkuutta.

**Taajuuskorjain:** Muuttaa taajuuskorjaimen tilaa.

**Kanavatasapaino:** Säättää kanavatasapainoa.

**Kuulokkeet:** Säättää kuulokkeiden äänenvoimakkuutta. Tätä asetusta ei ole saatavilla jos **Kuulokkeet/Linjaulostulo** -asetus on asetettu tilaan **Linjaulostulo**.

**Äänitila:** Asettaa halutun äänitilan.

**AVL:** Rajoittaa äänenvoimakkuuden enimmäismäärää.

**Kuulokkeet/linjalähtö:** Tämä asetusta tulee asettaa tilaan **Kuulokkeet** jos käytät kuulokkeita tai tilaan **Linjaulostulo** jos olet liittännyt ulkoisen vahvistimen kuulokeliitäntään.

**Dynaaminen basso:** Ottaa käyttöön tai poistaa käytöstä dynaamisen basson. Lisää bassotaajuuksia.

**Tilääni:** Surround-äänitila voidaan asettaa **Päälle** tai **Pois**.

**Digitaalilulostulo:** Asettaa digitaalisen lähdön äänityypin.

## Lapsilukkoasetukset

Tämä ominaisuus rajoittaa pääsyn valittuihin sisältöihin. Sitä hallitaan käyttäjän valitsemalla PIN-koodilla. Nämä asetukset löytyvät **Asetukset>Lapsilukko**-valikosta.

**Huomaa:** PIN-koodin oletusarvoksi on voitu asettaa **0000** tai **1234**. Mikäli olet määrittänyt PIN-koodin (riippuen valitusta maasta) **Ensisienennuksen aikana**, käytä määrittämääsi PIN-koodia.

Jotkin asetukset eivät ehkä ole käytettävissä riippuen ensiasennuksen aikana valitusta maasta.

**Valikkolukko:** Valikkolukon asetukset mahdollistavat tai estävät pääsyn valikkoon.



**Ikärajalukko (vaihtoehtoinen):** Mikäli tämä asetus on käytössä, televisio vastaanottaa lähetyksen ikärajatiedot ja estää lähetyksen katselun, mikäli ikärajavaatimusta ei täytetä.

**Lapsilukko (vaihtoehtoinen):** Kun lapsilukko on käytössä, televisiota voidaan hallita vain kaukosäätimen avulla. Television painikkeita ei voida tällöin käyttää.

**Opastus (vaihtoehtoinen)** Tämä asetus mahdollista tai estää joidenkin MHEG-sovelluksiin pääsyn. Pois käytöstä asetetut sovelluksen voidaan vapauttaa antamalla PIN-koodi.

**Aseta PIN:** Määrittää uuden PIN-koodin.

**Oletus CICAM PIN:** Tämä asetus esitetään himmennettynä jos TV:n CI-korttipaikkaan ei ole asetettu CI-moduulia. Voit vaihtaa CI CAM oletus PIN-koodin käyttäen tätä asetusta.

### Elektroninen ohjelmaopas (EPG)

Osa kanavista lähettää tietoja lähetyksiaikatauluista. Paina **EPG**-painiketta nähdäksesi EPG-valikon.

Käytävissä on 3 eri tyyppistä aikataulua: **Aikajana**, **Luettelo** ja **Nyt/Seuraavaksi**. Vaihda tilaa noudattamalla näytön alalaidassa annettuja ohjeita.

#### Aikajanan aikataulu

**Zoomaus (Keltainen painike):** Paina **Keltaista** -painiketta nähdäksesi ohjelmat laajemmalla aikavälillä.

**Suodatus (Sininen painike):** Näyttää suodatusvaihtoehdot.

**Valitse laji (Tekstityspainike):** Näyttää **Valitse laji** -valikon. Tällä toiminnolla voit hakea tietoja ohjelmaoppaan tietokannasta lajityypin mukaan. Ohjelmaoppaassa olevat tiedot etsitään ja hakukriteerien mukaiset tiedot korostetaan.

**Valinnat (OK-painike):** Näyttää ohjelmavalinnat.

**Ohjelman yksityiskohdat (Info-painike):** Näyttää valittujen ohjelmien tapahtumat.

**Seuraava/Edellinen päivä (Ohjelma +/- painikkeet):** Näyttää edellisen tai seuraavan päivän tapahtumat.

**Haku (Tekstipainike):** Näyttää "Opashaku" -valikon.

**Nyt (Vaihtopainike):** Näyttää nykyiset ohjelmat korostetulta kanavalta.

#### Luetteloaikataulu(\*)

(\*) Tässä aikataulussa esitetään vain korostetut kanavat.

**Edel. Aikajako (Punainen painike):** Näyttää tapahtumat edellisessä aikajaksossa.

**Seuraava/Edellinen päivä (Ohjelma +/- painikkeet):** Näyttää edellisen tai seuraavan päivän tapahtumat.

**Ohjelman yksityiskohdat (Info-painike):** Näyttää valittujen ohjelmien tapahtumat.

**Suodatus (Tekstipainike):** Näyttää suodatusvaihtoehdot.

**Seuraava aikajako (Vihreä painike):** Näyttää tapahtumat seuraavassa aikajaksossa.

**Valinnat (OK-painike):** Näyttää ohjelmavalinnat.

#### Nyt/seuraava aikataulu

**Selaaminen (Suuntapainikkeet):** Käytä **Suuntapainikkeita** navigoidaksesi kanava- tai ohjelmaluetteloidessa.

**Valinnat (OK-painike):** Näyttää ohjelmavalinnat.

**Ohjelman yksityiskohdat (Info-painike):** Näyttää valittujen ohjelmien tapahtumat.

**Suodatus (Sininen painike):** Näyttää suodatusvaihtoehdot.

#### Tapahtumavalinnat

Paina **OK**-painiketta EPG-valikossa avataksesi "**Tapahtumavalinnat**" -valikon.

**Valitse kanava:** Voit vaihtaa valitulle kanavalle tätä valintaa käyttämällä ollessasi EPG-valikossa.

**Aseta ajastin / Poista ajastin:** Kun olet valinnut tapahtuma EPG -valikosta, paina **OK**-painiketta.

**Valitse Aseta ajastin vaihtoehto** ja paina **OK**-painiketta. Voit asettaa ajastimen myöhempiä tapahtumia varten. Jo asetetun ajastuksen peruuminen tapahtuu korostamalla kyseinen tapahtuma ja painamalla **OK**-painiketta. Valitse sitten **Poista tapahtuma-ajastin** -vaihtoehto. Ajastin peruuntuu.

#### Päivitä TV:si

Mene päävalikkoon, valitse **Asetukset>Lisää** ja nykyisen ohjelmiston versio tulee näyttöön.

**HUOMIO:** Älä asenna nykyistä versiota vanhempaa versiota ohjelmistosta laitteeseen. TP Vision ei ota eikä sitä voida asettaa vastuuseen mistään ongelmista johtuen ohjelmiston päivittämisestä vanhempaan versioon.

#### Päivitä USB:llä

Ennen ohjelmiston päivittämistä varmista, että sinulla on:

- USB-tallennuslaite, jossa on ainakin 256 megatavua tallennustilaa, joka on alustettu FAT32- tai DOS-muotoon ja jonka kirjoitussuojaus kytketty pois päältä.
- Pääsy tietokoneelle jossa on vapaa USB-liitin ja Internet-yhteys.

Navigoi osoitteeseen [www.philips.com/support](http://www.philips.com/support), ja noudata ohjelmiston päivitysohjeita.

#### Automaattinen päivitys digitaalisesta lähetyksestä

Kun TV on kytketty antenniin. Jos **automaattinen haku** on **päällä päivitysasetuksista**, TV avautuu klo. 03:00 ja etsii kanavalähetyksistä uutta ohjelmistopäivitystä. Jos uusi ohjelmisto löytyy se ladataan onnistuneesti ja uusi ohjelmistoversio otetaan käyttöön TV:n käynnistyessä seuraavalla kerralla. Avataksesi **Päivitysvaihtoehdot**-valikon, avaa **Asetukset>Lisää** -valikko, korosta **Ohjelmistopäivitys**-valinta ja paina **OK**-painiketta.

**Huomaa:** Älä kytke virtajohtoa irti LED-valon vilkkuessa uudelleenkäynnistyksen aikana. Jos TV ei kytkeydy päälle päivityksen jälkeen, irrota TV virtapistokkeesta 2 minuutiksi ja liitä se uudelleen.

## Vianmääritys & ohjeita

### TV ei kytkeydy päälle

Varmista että sähköjohto on kytketty oikein pistorasiaan. Tarkista, ovatko paristot loppuneet. Paina TV:n virtapainiketta.

### Heikko kuvanlaatu

- Tarkista, oletko valinnut oikean TV-järjestelmän.
- Alhainen signaalitaso voi aiheuttaa kuvan vääristymistä. Varmista antennisignaalin saatavuus.
- Tarkista, että olet valinnut oikean kanavataajuuden, mikäli olet valinnut manuaalisen virityksen.
- Kuvanlaatu voi heiketä, jos kaksi oheislaitetta kytketään televisioon samanaikaisesti. Irrota yksi oheislaitteista.

### Ei kuvaa

- Tarkoittaa ettei TV vastaanota lähetyksiä. Tarkista että oikea sisääntulolähde on valittu.
- Onko antenni liitetty oikein?
- Onko antennikaapeli vaurioitunut?
- Onko antennin liittämiseen käytetty sopivia liittimiä?
- Jos olet epävarma, pyydä lisätietoja jälleenmyyjältä.

### Ei ääntä

- Tarkista, onko TV mykistetty. Paina **Mykistys**-painiketta tai lisää äänenvoimakkuutta.
- Vain toisesta kaiuttimesta kuuluu ääni. Tarkista kanavatasapainoasetukset **Ääni**-valikosta.

### Kaukosäädin - ei toimi

- Paristot saattavat olla lopussa. Vaihda paristot.

### Sisääntulolähteet - ei valittavissa

- Jos et voi valita sisääntulolähdettä, mitään laitetta ei ehkä ole liitettyä. Jos näin ei ole;
- Tarkista AV-kaapelit ja liitännät, mikäli yrität vaihtaa yhdistetylle laitteelle määritettyä lähdettä.

## Tekniset tiedot

<b>TV Lähetys</b>	PAL BG/DK/II' SECAM BG/DK			
<b>Kanavat vastaanotto</b>	VHF (BAND I/III) UHF (BAND U) HYPERBAND			
<b>Digitaalivastaanotto</b>	Täysin integroitu digitaali-maanpäällinen-kaapeli-TV(DVB-T-C) (DVB-T2 yhteensopiva)			
<b>Esiasetettujen kanavat määrä</b>	1.000			
<b>Kanavailmaisoin</b>	Ruutunäyttö			
<b>RF-antennitulo</b>	75 ohm (epäsymmetrinen)			
<b>KÄYTTÖJÄNNITE</b>	220-240V AC, 50Hz.			
<b>Ääni</b>	German+Nicam Stereo			
<b>Näyttö</b>	24"	32"	43"	49"
<b>ÄÄNILÄHTÖTEHO (WRMS.) (10% THD)</b>	2x2,5W	2x6W	2x8W	2x8W
<b>Virrankulutus (W)</b>	45W	65W	75W	75W
<b>Paino (kg)</b>	3,45 kg	5,60 kg	9,30 kg	11,35 kg
<b>TV:n mitat SxLxK (jalan kanssa) (mm)</b>	134x554x370 mm	185x735x478 mm	220x974x615 mm	220x1112x692 mm
<b>TV:n mitat SxLxK (ilman jalkaa) (mm)</b>	35(min)/61(max)x554x339mm	77(min)/89(max)x735x438mm	64(min)/93(max)x974x572mm	60(min)/91(max)x1112x653mm
<b>Käyttölämpötila ja ilmankosteus:</b>	0°C - 40°C, ilmankosteus enint. 85 %			

## Tietokonetulon tyypilliset näyttötilat

Seuraavassa taulukossa on esimerkkejä joistakin tyypillisistä videon näyttötiloista.

Hakemisto	Resoluutio	Taajuus
1	640x350	85Hz
2	640x400	70Hz
3	640x480	60Hz
4	640x480	66Hz
5	640x480	72Hz
6	640x480	75Hz
7	640x480	85Hz
8	800x600	56Hz
9	800x600	60Hz
10	800x600	70Hz
11	800x600	72Hz
12	800x600	75Hz
13	800x600	85Hz
14	832x624	75Hz
15	1024x768	60Hz
16	1024x768	66Hz
17	1024x768	70Hz
18	1024x768	72Hz
19	1024x768	75Hz
20	1024x768	85Hz
21	1152x864	60Hz
22	1152x864	70Hz
23	1152x864	75Hz
24	1152x864	85Hz
25	1152x870	75Hz
26	1280x768	60Hz
27	1360x768	60Hz
28	1280x768	75Hz
29	1280x768	85Hz
30	1280x960	60Hz
31	1280x960	75Hz
32	1280x960	85Hz
33	1280x1024	60Hz
34	1280x1024	75Hz
35	1280x1024	85Hz
36	1400x1050	60Hz
37	1400x1050	75Hz
38	1400x1050	85Hz
39	1440x900	60Hz
40	1440x900	75Hz
41	1600x1200	60Hz
42	1680x1050	60Hz
43	1920x1080	60Hz
44	1920x1200	60Hz

## AV- ja HDMI-signaalin yhteensopivuus

Lähde	Tuetut signaalit	Käytössä
EXT (SCART)	PAL	O
	SECAM	O
	NTSC4.43	O
	NTSC3.58	O
	RGB 50/60	O
AV sivulla	PAL	O
	SECAM	O
	NTSC4.43	O
	NTSC3.58	O
PC/YPbPr	480i, 480p	60Hz O
	576i, 576p	50Hz O
	720p	50Hz, 60Hz O
	1080i	50Hz, 60Hz O
HDMI	480i, 480p	60Hz O
	576i, 576p	50Hz O
	720p	50Hz, 60Hz O
	1080i	50Hz, 60Hz O
	1080p	24Hz, 25Hz, 30Hz, 50Hz, 60Hz O

## Tuetut videotiedostomuodot USB-tilassa

Pääte	Videokoodekit	SPEC (kuvatarkkuus) & bittinopeus
.dat, vob	MPEG1/2	1080P@30fps - 40 Mbit/s
.mpg, .mpeg	MPEG1/2, MPEG4	
.ts, .trp, .tp	MPEG1/2, H.264, AVS, MVC	<b>H.264:</b> 1080Px2@30fps - 62.5 Mbit/s, 1080P@60fps - 62.5 Mbit/s <b>MVC:</b> 1080P@30fps - 62.5 Mbit/s <b>Muut:</b> 1080P@30fps - 40 Mbit/s
.mp4, .mov, .3gpp, .3gp	MPEG1/2, MPEG4, H.263, H.264, Motion JPEG	<b>H.264:</b> 1080Px2@30fps - 62.5 Mbit/s, 1080P@60fps - 62.5 Mbit/s <b>Motion JPEG:</b> 640x480@30fps - 10 Mbit/s <b>Muut:</b> 1080P@30fps - 40 Mbit/s
.avi	MPEG1/2, MPEG4, Sorenson H.263, H.263, H.264, WMV3, Motion JPEG	
.mkv	MPEG1/2, MPEG4, H.263, H.264, WMV3, Motion JPEG	
.asf	Sorenson H.263, H.264, WMV3, Motion JPEG	
.flv	WMV3	1080P@30fps - 40 Mbit/s
.swf	RV30/RV40	1080P@30fps - 40 Mbit/s
.wmv		
.mp4, .mov, .3gpp, .3gp, MPEG transport stream, .ts, .trp, .tp, .mkv	HEVC/H.265	1080P@60fps - 50Mbps

## Tuetut kuvatiedoston formaatit USB-tilaa varten

Kuvat	Valokuvat	Resoluutio (leveys x korkeus)	Huomautukset
JPEG	Perustaso	15360x8640	Enimmäistarkkuuden raja riippuu DRAM-muistin koosta
	Progressiivinen	1024x768	
PNG	ei-lomitettu	9600x6400	
	lomitus	1200x800	
BMP		9600x6400	

## Tuetut äänitiedostomuodot USB-tilassa

Pääte	Äänikoodekit	Bittinopeus	Näytteenottotaajuus	
.mp3,	MPEG1/2 Layer1	32Kbps ~ 448Kbps	16KHz ~ 48KHz	
	MPEG1/2 Layer2	8Kbps ~ 384Kbps		
	MPEG1/2 Layer3	8Kbps ~ 320Kbps		
.avi	MPEG1/2 Layer1	32Kbps ~ 448Kbps	16KHz ~ 48KHz	
	MPEG1/2 Layer2	8Kbps ~ 384Kbps		
	MPEG1/2 Layer3	8Kbps ~ 320Kbps		
	AC3	32Kbps ~ 640Kbps	32KHz, 44,1KHz, 48KHz	
	AAC, HEAAC		8KHz ~ 48KHz	
	WMA	128kbit/s ~ 320kbit/s	8KHz ~ 48KHz	
	WMA 10 Pro M0	< 192kbit/s	48KHz	
	WMA 10 Pro M1	< 384kbit/s	48KHz	
	WMA 10 Pro M2	< 768kbit/s	96KHz	
	LPCM	64kbit/s ~ 1.5Mbit/s	8KHz ~ 48KHz	
.asf	MPEG1/2 Layer1	32Kbps ~ 448Kbps	16KHz ~ 48KHz	
	MPEG1/2 Layer2	8Kbps ~ 384Kbps		
	MPEG1/2 Layer3	8Kbps ~ 320Kbps		
	WMA	128kbit/s ~ 320kbit/s	8KHz ~ 48KHz	
	WMA 10 Pro M0	< 192kbit/s	48KHz	
	WMA 10 Pro M1	< 384kbit/s	48KHz	
	WMA 10 Pro M2	< 768kbit/s	96KHz	
	.mkv, .mka	MPEG1/2 Layer1	32Kbps ~ 448Kbps	16KHz ~ 48KHz
		MPEG1/2 Layer2	8Kbps ~ 384Kbps	
		MPEG1/2 Layer3	8Kbps ~ 320Kbps	
AC3		32Kbps ~ 640Kbps	32KHz, 44,1KHz, 48KHz	
AAC, HEAAC			8KHz ~ 48KHz	
WMA		128kbit/s ~ 320kbit/s	8KHz ~ 48KHz	
WMA 10 Pro M0		< 192kbit/s	48KHz	
WMA 10 Pro M1		< 384kbit/s	48KHz	
WMA 10 Pro M2		< 768kbit/s	96KHz	
VORBIS			Enintään 48KHz	
LPCM		64kbit/s ~ 1.5Mbit/s	8KHz ~ 48KHz	
IMA-ADPCM, MS-ADPCM		384kbit/s	8KHz ~ 48KHz	
G711 A/mu-law		64kbit/s ~ 128kbit/s	8KHz	
FLAC	< 1,6Mbit/s	8KHz ~ 96KHz		
.ts, .trp, .tp, .dat, .vob, .mpg, .mpeg	MPEG1/2 Layer1	32Kbps ~ 448Kbps	16KHz ~ 48KHz	
	MPEG1/2 Layer2	8Kbps ~ 384Kbps		
	MPEG1/2 Layer3	8Kbps ~ 320Kbps		
	AC3	32Kbps ~ 640Kbps	32KHz, 44,1KHz, 48KHz	
	EAC3	32Kbps ~ 6Mbps	32KHz, 44,1KHz, 48KHz	
	AAC, HEAAC		8KHz ~ 48KHz	
	LPCM	64kbit/s ~ 1.5Mbit/s	8KHz ~ 48KHz	

Pääte	Äänikoodekit	Bittinopeus	Näytteenottotaajuus
.wav	MPEG1/2 Layer1	32Kbps ~ 448Kbps	16KHz ~ 48KHz
	MPEG1/2 Layer2	8Kbps ~ 384Kbps	
	MPEG1/2 Layer3	8Kbps ~ 320Kbps	
	LPCM	64kbit/s ~ 1.5Mbit/s	8KHz ~ 48KHz
	IMA-ADPCM, MS-ADPCM	384kbit/s	8KHz ~ 48KHz
	G711 A/mu-law	64kbit/s ~ 128kbit/s	8KHz
.3gpp, .3gp, .mp4, .mov, .m4a	MPEG1/2 Layer3	8Kbps ~ 320Kbps	16KHz ~ 48KHz
	AC3	32Kbps ~ 640Kbps	32KHz, 44,1KHz, 48KHz
	EAC3	32Kbps ~ 6Mbps	32KHz, 44,1KHz, 48KHz
	AAC, HEAAC		8KHz ~ 48KHz
	VORBIS		Enintään 48KHz
	LPCM	64kbit/s ~ 1.5Mbit/s	8KHz ~ 48KHz
	IMA-ADPCM, MS-ADPCM	384kbit/s	8KHz ~ 48KHz
	G711 A/mu-law	64kbit/s ~ 128kbit/s	8KHz
.flv	MPEG1/2 Layer3	8Kbps ~ 320Kbps	16KHz ~ 48KHz
	AAC, HEAAC		8KHz ~ 48KHz
.ac3	AC3	32Kbps ~ 640Kbps	32KHz, 44,1KHz, 48KHz
	AAC, HEAAC		8KHz ~ 48KHz
.swf	MPEG1/2 Layer3	8Kbps ~ 320Kbps	16KHz ~ 48KHz
.ec3	EAC3	32Kbps ~ 6Mbps	32KHz, 44,1KHz, 48KHz
.rm, .rmvb, .ra	AAC, HEAAC		8KHz ~ 48KHz
	LBR (cook)	6kbit/s ~ 128kbit/s	8KHz, 11,025KHz, 22,05KHz, 44,1KHz
.wma, .wmv	WMA	128kbit/s ~ 320kbit/s	8KHz ~ 48KHz
	WMA 10 Pro M0	< 192kbit/s	48KHz
	WMA 10 Pro M1	< 384kbit/s	48KHz
	WMA 10 Pro M2	< 768kbit/s	96KHz
.webm	VORBIS		Enintään 48KHz

## Tuetut tekstitysmuodot USB-tilassa

Sisäiset tekstitykset		
Pääte	Säiliö	Tekstityskoodi
dat, mpg, mpeg, vob	MPG, MPEG	DVD-tekstitys
ts, trp, tp	TS	DVB-tekstitys
mp4	MP4	DVD-tekstitys UTF-8 pelkkä teksti
mkv	MKV	ASS SSA UTF-8 pelkkä teksti VobSub DVD-tekstitys
Ulkoiset tekstitykset		
Pääte	Tekstitysmuodot	Huomautukset
.srt	Subrip	
.ssa/ .ass	SubStation Alpha	
.smi	SAMI	
.sub	SubViewer MicroDVD DVDSubtitleSystem SubIdx (VobSub)	SubViewer 1.0 & 2.0 ainoastaan
.txt	TMPlayer	

## Table des matières

Notifications, fonctionnalités et accessoires .....	4
Efficacité énergétique .....	4
Bouton de défilement du téléviseur .....	4
Mise en marche / arrêt.....	4
Installation Initiale .....	4
Lire des fichiers média à partir d'un périphérique USB .....	5
Menu Navigateur média .....	6
CEC .....	6
Modification des paramètres du téléviseur .....	6
Options d'affichage.....	6
Options sonores .....	7
Configuration des paramètres parentaux .....	7
Guide Électronique des Programmes (EPG).....	7
Mise à jour de votre téléviseur.....	8
Dépannage et astuces.....	8
Modes d'affichage typiques de l'entrée PC .....	10
Compatibilité des signaux AV et HDMI .....	10
Formats de fichiers vidéo pris en charge pour le mode USB .....	11
Formats de fichiers image pris en charge pour le mode USB .....	11
Formats de fichiers audio pris en charge pour le mode USB .....	12
Formats de fichiers de sous-titrage pris en charge pour le mode USB .....	13



## Important !

« Veuillez lire et comprendre toutes les informations contenues dans le livret de sécurité avant d'installer et d'utiliser votre téléviseur. Si le dommage découle du non-respect de ces instructions, la garantie ne s'applique pas. »

### Mise au rebut des vieux équipements et des piles

Veillez ne pas mettre ce téléviseur ou ses piles au rebut avec les autres ordures ménagères. Si vous souhaitez effectuer la mise au rebut de votre appareil ou de ses piles, veuillez prendre en compte les systèmes de collecte en vigueur ou les structures prévues pour un recyclage approprié.

**Remarque :** Le symbole *Pb* en dessous du symbole pour les piles indique que ces piles contiennent du plomb.



**Produits**



**Piles**



## Télétexte

Appuyez sur le bouton **Text** pour afficher les informations relatives au télétexte. Appuyez à nouveau sur ce bouton pour activer le mode de mélange, ce qui vous permet de voir la page télétexte et la diffusion télévisée simultanément. Appuyez de nouveau sur ce bouton pour quitter. Si disponible, des sections ou des pages contenues dans le télétexte se codent et en couleur et peuvent être sélectionnées en appuyant sur les touches de couleur. Utilisez soit le bouton de navigation, soit le bouton **Programme +/-** pour parcourir les pages. La mode de fonctionnement peut différer en fonction du contenu du télétexte. Suivez les instructions affichées à l'écran.

- 1. Veille** : Met le téléviseur Sous/Hors tension
- 2. Texte** : Affiche le télétexte (si disponible), appuyez à nouveau pour superposer le télétexte sur une image normalement retransmise (mélange)
- 3. Arrêt** : Suspend définitivement la lecture du média en cours
- 4. Écran** : Modifie le format de l'image
- 5. Source** : Affiche toutes les sources de diffusion et de contenu disponibles
- 6. Menu** : Affiche le menu du téléviseur
- 7. Permuter** : Défile rapidement entre les chaînes ou les sources précédentes et actuelles  
Si le **Mode Hôtel** est **activé**, en appuyant sur ce bouton, vous pourrez basculer entre les types de canaux réseaux DVB-T et Analogique, DVB-Câble et Analogique, et DVB-Satellite et Analogique
- 8. Boutons de navigation** : Permettent de naviguer entre les menus, les contenus, etc., et affichent les sous-pages en mode TXT lorsque vous appuyez sur les boutons Droit ou Gauche
- 9. Programme - / Page -** (en mode TXT)
- 10. Volume -**
- 11. Bouton vert** : Suivez les instructions qui s'affichent à l'écran pour les fonctions des boutons de couleur.
- 12. Bouton rouge** : Suivez les instructions qui s'affichent à l'écran pour les fonctions des boutons de couleur.
- 13. Boutons numériques** : Changez de chaîne, puis introduisez un chiffre ou une lettre dans l'écran de la case de saisie.
- 14. Sous-titres** : Active et désactive les sous-titres (si disponibles)
- 15. Langue** : Bascule entre les modes sonores (TV analogique), affiche et change la langue audio/des sous-titres (le cas échéant, en TV numérique)
- 16. Bouton bleu** : Suivez les instructions qui s'affichent à l'écran pour les fonctions des boutons de couleur.
- 17. Bouton jaune** : Suivez les instructions qui s'affichent à l'écran pour les fonctions des boutons de couleur.
- 18. Volume +**
- 19. Muet** : Réduit complètement le volume du téléviseur
- 20. Programme + / Page +** (en mode TXT)
- 21. Retour/Précédent** : Retourne à l'écran précédent, ouvre la page index (en mode TXT)
- 22. OK** : Confirme les sélections de l'utilisateur, maintient la page (en mode TXT), affiche la liste des chaînes
- 23. Info** : Affiche des informations sur le contenu à l'écran, affiche des informations cachées (dévoile - en mode TXT)
- 24. Lecture** : Démarre la lecture du média sélectionné
- 25. Pause** : Suspend la lecture du média en cours
- 26. Minuteur de mise en veille** : Définit votre TV en mode Extinction automatique
- 27. EPG (Guide électronique des programmes)** : Affiche le guide électronique des programmes

**Remarque** : La portée de la télécommande est d'environ 7 m/23 pieds.

## Notifications, fonctionnalités et accessoires

### Efficacité énergétique

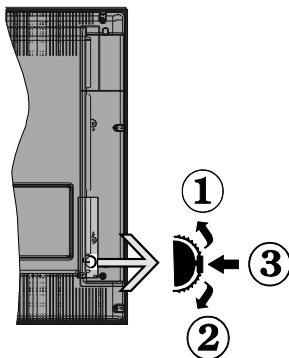
Ce téléviseur est conçu avec des fonctionnalités d'efficacité énergétique :

- **Économie d'énergie** : Vous pouvez appliquer une combinaison d'économie d'énergie à travers les paramètres d'image. Lorsque vous regardez le téléviseur, appuyez sur la touche **Menu** et les paramètres du mode **Économie d'énergie** s'affichent dans la section **Image** du Menu principal.
- **Mode image désactivée** : Si vous désirez uniquement suivre l'audio du téléviseur, vous pouvez désactiver l'affichage. Les autres fonctions continuent à fonctionner normalement. Lorsque vous regardez le téléviseur, appuyez sur la touche **Menu** et sélectionnez **Image**, puis à partir de ce sous-menu, sélectionnez l'option **Économie d'énergie**. Appuyez sur le bouton Droit une fois l'option **Auto** sélectionnée, ou sur le bouton Gauche une fois l'option **Personnalisation** sélectionnée. Un message apparaît à l'écran. Sélectionnez **Continuer** et appuyez sur **OK** pour éteindre immédiatement l'écran. Si vous n'appuyez sur aucun bouton, l'écran s'éteint au bout de 15 secondes. Appuyez sur n'importe quelle touche de la télécommande ou sur le téléviseur pour allumer l'écran à nouveau.

*Remarque* : L'option **d'Extinction d'écran** n'est pas disponible lorsque le mode **Jeu** est activé. Débranchez votre téléviseur de la fiche secteur si vous ne souhaitez pas l'utiliser pendant longtemps.

### Bouton de défilement du téléviseur

Le bouton de défilement du téléviseur, qui se trouve sur le côté du téléviseur, vous permet de contrôler le volume, de changer les chaînes et de mettre votre téléviseur en mode veille.



**Pour régler le volume** : Augmentez le volume en défilant vers le haut. Baissez le volume en défilant vers le bas.

**Pour changer de chaîne** :

- Appuyez sur la partie centrale de la touche de défilement pour afficher les informations sur la chaîne.

- Déroulez les chaînes enregistrées en appuyant sur les boutons Haut ou Bas.

**Pour modifier la source** :

- Appuyez deux fois sur la partie centrale de la touche (pour la deuxième fois) pour afficher la liste à l'écran.
- Parcourez les sources disponibles en appuyant sur le bouton Haut ou Bas.

**Pour faire basculer le téléviseur en mode veille** Maintenez la partie centrale de la touche enfoncée pendant quelques secondes, le téléviseur passe alors en mode veille.

**Pour faire basculer le téléviseur en mode veille** : Appuyez sur la partie centrale de la touche pour allumer le téléviseur.

**Remarques** :

*Si vous éteignez le téléviseur, la procédure recommence par le réglage du volume.*

*Impossible d'afficher le menu principal à l'écran à l'aide du bouton de commande.*

### Mise en marche / arrêt

**Pour allumer la TV**

Pour allumer le téléviseur à partir du mode veille :

- Appuyez sur le bouton **Standby, Programme +/-** ou un autre bouton numérique de la télécommande.
- Appuyez sur la partie centrale du commutateur de fonction situé sur le côté du téléviseur.

*Remarque* : Si le téléviseur est allumé et reste inactif pendant un moment, il passe en mode veille. Lors de la prochaine mise en marche, le message suivant s'affiche à l'écran. « **Mode veille en cas d'absence de signal** », appuyez sur **OK** pour continuer.

**Pour éteindre la TV**

- Pressez le bouton **Veille** de la télécommande ou appuyez sur la partie centrale du commutateur de fonction situé sur le côté du téléviseur et maintenez-le enfoncé pendant quelques secondes. Ainsi, votre téléviseur passe alors en mode veille.

*Remarque* : Pour arrêter complètement le téléviseur, débranchez le cordon d'alimentation du secteur.

### Installation Initiale

Lors de la première mise en marche de votre téléviseur, l'écran de sélection de la langue apparaît. Sélectionnez la langue de votre choix et appuyez sur **OK**.

*Remarque* : Si un périphérique USB est connecté au téléviseur, appuyez sur le bouton **VERT** de la télécommande avant de continuer, de sorte à charger les données NVRAM (liste de services, préférences, etc.) du périphérique USB chargé à partir d'un autre téléviseur Philips pour hôtel. Référez-vous aux sous-sections « **Copie vers un périphérique USB** » et « **Copie à partir d'un périphérique USB** » de la section **Mode Hôtel** à la fin de ce manuel.

Si le fichier de mise à jour logicielle adéquat est préinstallé sur votre périphérique USB, appuyez sur le bouton **ROUGE** de la télécommande avant de continuer, de sorte à mettre à niveau le logiciel de votre téléviseur. Le fichier de mise à jour logicielle doit avoir pour nom « VES162HE\_upgrade.bin » ou « Philips\_upgrade\_mb110.bin ».

La mise à niveau logicielle via un périphérique USB peut se faire à tout moment à l'aide de la combinaison secrète des boutons « **Menu-1-5-0-5** ».

À la fenêtre suivante, réglez vos préférences à l'aide des boutons de navigation, puis appuyez sur le bouton **OK** pour continuer.

Vous pouvez régler votre téléviseur en suivant l'écran de première installation grâce aux sélections ci-après :

### Installation de l'antenne numérique

Si l'option de recherche des émissions par **Antenne numérique** est activée, le téléviseur procède à la recherche d'émissions numériques terrestres une fois les autres réglages initiaux terminés.

### Installation du câble numérique

Si l'option de recherche de programmes par **câble numérique** est activée, le téléviseur recherche les programmes par câble numérique après avoir terminé la configuration des autres paramètres par défaut. Selon vos préférences, un message peut s'afficher avant le lancement de la recherche. Si votre câble réseau prend en charge une installation basée sur le réseau ID (Unitymedia par exemple), sélectionnez **Oui** et appuyez sur **OK** pour procéder à une installation automatique.

Dans le cas contraire, veuillez sélectionner **Non**, puis appuyez sur **OK** et suivez les instructions à l'écran.

Vous pouvez également sélectionner des plages de fréquence à partir de cet écran. Entrez la fréquence manuellement à l'aide des touches numériques.

**Remarque** : La durée de la sélection varie en fonction de **Rechercher Étape** sélectionnée.

### Installation analogique

Si l'option de recherche des émissions **Analogique** est activée, le téléviseur procède à la recherche d'émissions analogiques une fois les autres réglages initiaux terminés.

Vous pouvez, en outre, choisir un type de diffusion comme favori. La priorité est accordée au type d'émission sélectionné pendant le processus de recherche et un inventaire des chaînes associées s'affiche au-dessus de la **Liste des Chaînes**. Une fois terminé, appuyez sur le bouton **OK** pour continuer.

Passez alors à l'écran de sélection du **Mode domestique / Mode mémoire**. Nous vous recommandons de sélectionner le **Mode Domestique** pour un usage domestique.

À la fin des réglages initiaux, le téléviseur lance la recherche des émissions disponibles des types sélectionnés.

Pendant la recherche, un message apparaît, vous demandant si vous souhaitez trier les chaînes selon la LCN(\*). Sélectionnez **Oui** et appuyez sur **OK** pour confirmer.

(\* ) LCN est le système de numéros de chaînes logiques qui sélectionne les émissions disponibles suivant une séquence de chaînes reconnaissable (si disponible).

Une fois toutes les stations disponibles enregistrées, les résultats de la recherche s'affichent à l'écran. Appuyez sur **OK** pour continuer. L'option **Modifier la Liste des Chaînes** s'affiche par la suite. Appuyez sur le bouton **Menu** pour sortir de **Edit Channel List** pour regarder la Télé.

**Remarque** : Évitez d'éteindre le téléviseur lors de la Première Installation. (\*) Veuillez noter que certaines options ne seront pas disponibles, selon le choix du pays.

### Lire des fichiers média à partir d'un périphérique USB

Vous pouvez lire les fichiers de photo, de musique et de film stockés sur un disque USB en connectant ce dernier à votre téléviseur. Connectez un disque USB à l'une des entrées USB situées sur le côté arrière du téléviseur. Le périphérique USB est reconnu automatiquement par le téléviseur et le menu **Navigateur média** s'affiche. Vous pouvez également accéder au menu **Navigateur média** à partir du menu principal du téléviseur. Appuyez sur le bouton **Menu**, puis sélectionnez **Navigateur média** à partir de la liste et appuyez sur le bouton **OK** pour valider.

Après avoir sélectionné le type de média souhaité dans le menu principal **Navigateur média**, si vous appuyez sur le bouton **Menu**, cela vous permet d'accéder aux options des menus **Image**, **Son** et **Paramètres**. En appuyant une fois de plus sur le bouton **Menu** l'écran disparaîtra. Vous pouvez régler les préférences de votre **Navigateur média** via le menu **Réglages**.

Pour activer la fonction **Lecture automatique**, mettez cette option en surbrillance à partir du menu **Réglages** et définissez-la sur **Activer** à l'aide des boutons Gauche et Droite. Une fois la fonction activée, le téléviseur détecte alors les périphériques USB connectés et effectue la recherche des fichiers média.





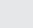
Le téléviseur effectue premièrement la recherche des fichiers de Photo. Si aucun fichier de photo n'est détecté, alors le programme effectue la recherche pour les fichiers vidéo. Si aucun fichier vidéo n'est détecté, alors le programme effectue la recherche des fichiers audio.

Une fois le fichier à lire trouvé, sélectionnez le format dudit fichier comme choix constant et chaque fichier correspondant à ce format sera lu dans une boucle infinie. La lecture de fichier(s) et la boucle sont interrompues lorsque vous utilisez la télécommande pour quitter le programme, etc.

Lorsque le téléviseur ne trouve aucun média, le menu du navigateur média principal s'affiche à l'écran. Définissez le **Style d'affichage** sur **Monotone** pour effectuer la recherche dans tous les sous-dossiers contenus dans le périphérique USB.

**Remarque :** Lorsque le téléviseur est en mode veille, cette fonction n'est pas disponible.

**REMARQUE IMPORTANTE !** Sauvegardez vos fichiers avant d'effectuer tout branchement à la TV. Veuillez remarquer que la responsabilité du fabricant ne saurait être engagée en cas de dommage de fichier ou de perte de données. Certains types de périphériques USB (à l'exemple des lecteurs MP3) ou des lecteurs de disque dur / cartes mémoires USB peuvent être incompatibles avec ce téléviseur.

Menu Navigateur média	
Fonctionnement du Mode Aléatoire / Boucle	
Démarrez la lecture via la touche <b>Lecture</b> et activez 	Tous les fichiers de la liste seront lus en boucle suivant leur ordre de départ.
Démarrez la lecture via la touche <b>OK</b> et activez 	Le même fichier sera lu en boucle (répété).
Démarrez la lecture via la touche <b>Lecture</b> et activez 	Tous les fichiers de la liste seront lus une fois suivant un ordre aléatoire.
Démarrez la lecture via la touche <b>Lecture</b> et activez  et 	Tous les fichiers de la liste seront lus en boucle suivant le même ordre aléatoire.

## CEC

Cette fonction permet de contrôler les périphériques actifs CEC qui sont connectés aux ports HDMI à partir de la télécommande de la Télé.

L'option **CEC** du menu **Réglages>Plus** doit être définie sur **Activé** en premier lieu. Appuyer sur le bouton **Source** et sélectionnez l'entrée HDMI du périphérique CEC connecté à partir du menu **Liste de sources**. Si un nouveau périphérique CEC est connecté, il va s'afficher dans le menu **Source** avec son propre nom, au lieu du nom du port HDMI connecté (lecteur DVD, enregistreur 1, etc.).

La télécommande de la télé peut automatiquement fonctionner après avoir sélectionné la source HDMI connectée.

Pour mettre fin à cette opération, contrôler le téléviseur à partir de la télécommande, appuyez et maintenez le bouton "0-Zero" sur la télécommande

pendant 3 secondes. Cette fonction peut également être activée ou désactivée à partir du menu **Réglages>Plus**.

La Télé supporte également la fonction ARC (Audio Return Channel). Cette fonction est un lien audio qui permet de remplacer d'autres câbles entre la Télé et le système audio (récepteur A/V ou système stéréo). Si le mode ARC est activé, la Télé ne mute pas automatiquement les autres sorties audio. Vous devrez baisser manuellement le volume de la Télé à zéro si vous voulez que le son sorte uniquement du périphérique audio connecté (pareil pour les autres sorties audio numériques optiques ou coaxiales). Si vous souhaitez modifier le volume du périphérique connecté, sélectionnez le périphérique à partir de la liste des sources. Dans ce cas, les touches de contrôle du volume s'orientent vers le périphérique audio connecté.

**Remarque :** La souris ARC fonctionne uniquement via l'entrée HDMI1.

## Commande audio système

Permet d'utiliser l'option Amplificateur/récepteur audio avec le téléviseur. Vous pouvez régler le volume à l'aide de la télécommande de votre téléviseur. Pour activer cette fonction, définissez l'option **Haut-parleurs** du menu **Réglages>Plus** sur **Amplificateur**. Les haut-parleurs du téléviseurs seront coupés et le son de la source visionnée proviendra du système audio connecté.

**Remarque :** L'appareil audio devrait prendre en charge la fonction de Contrôle du Système Audio et l'option **CEC** doit être réglée sur **Activé**.

## Modification des paramètres du téléviseur

Pour accéder aux options listées ci-dessous;

- 1- Appuyez sur la touche **Menu**
- 2- Surlignez votre sélection
- 3- Appuyez sur **OK** pour confirmer

## Options d'affichage

**Mode :** Change le mode d'image en : **Cinéma**, **Jeu (\*)**, **Sports**, **Dynamique** et **Naturel**.

(\*) Il est possible que le mode **Jeu** se soit pas disponible, en fonction de la sélection de la source actuelle.

**Contraste :** Règle les valeurs de l'éclairage et de l'obscurité de l'image.

**Luminosité :** Règle la valeur de luminosité de l'image.

**Netteté :** Règle la valeur de netteté. Une valeur élevée de netteté peut aboutir à une image plus claire en fonction du contenu.

**Couleur:** Règle la valeur de la couleur.

**Rétroéclairage :** Contrôle la luminosité du rétroéclairage. La fonction de rétroéclairage sera inactive

si le **Mode Économie d'énergie** est réglé sur une option autre que **Personnalisation**.

### Options sonores

**Volume** : Ajuste le niveau du volume.

**Égaliseur** : Change le mode égaliseur.

**Balance**: Ajuste si le son provient principalement des haut-parleurs gauche ou droit.

**Écouteur** : Règle le volume du casque. Cette option est désactivée lorsque l'option **Casque/Sortie** est définie sur **Sortie**.

**Mode son** : Définit le mode son préféré.

**AVL** : Définit une limite à la sortie maximale du volume.

**Écouteur / ligne** : Veuillez définir cette option sur **Casque** si vous disposez d'un casque, ou sur **Sortie** si la prise de casque est connectée à un amplificateur externe.

**Basse dynamique**: Permet d'activer ou de désactiver la basse dynamique Augmente la gamme de la basse.

**Son surround**: Vous pouvez **Activer** ou **Désactiver** le mode Son Surround.

**Sortie Digitale**: Règle le type de sortie audio numérique.

### Configuration des paramètres parentaux

Cette fonctionnalité permet de réduire l'accès au contenu sélectionné. Il est contrôlé par un code pin défini par vous-même. Ces réglages sont accessibles à partir du menu **Réglages>Contrôle parental**.

**Remarque** : Le code PIN par défaut est **0000** ou **1234**. Si vous avez défini un code PIN (requis en fonction du pays choisi) lors de la **Première Installation**, utilisez alors ce dernier.

Certaines options ne seront pas disponibles, selon le choix du pays pendant la **Première Installation**.

**Verrouillage du menu** : Le paramètre de verrouillage du menu active ou désactive l'accès au menu.

**Verrouillage maturité (en option)**: Une fois définie, cette option recherche l'information relative aux émissions parentales et si ce niveau parental est inactivé, l'accès à la diffusion n'est pas activé.

**Verrouillage parental (en option)** : Lorsque l'option Verrouillage enfant est sélectionnée, le téléviseur peut uniquement être contrôlé à l'aide de la télécommande. Dans ce cas les boutons du panneau de commande ne fonctionneront pas.

**Guide (en option)** : Cette option permet d'autoriser ou de verrouiller l'accès à certaines applications MHEG. Les applications désactivées peuvent être relâchées en entrant le code PIN correct.

**Paramétrage du code PIN** : Définit un nouveau code PIN.

**Code PIN CICAM par défaut** : Cette option apparaît grisée si aucun module CI n'est inséré dans le port CI du téléviseur. Vous pouvez modifier le code PIN par défaut du CICAM à l'aide de cette option.

### Guide Électronique des Programmes (EPG)

Certaines chaînes envoient des informations concernant leurs programmes de diffusion. Appuyez sur le bouton **Epg** pour accéder au menu EPG.

3 modèles de présentation de programmes sont disponibles : **Programme linéaire**, **Liste** et **Maintenant/Ensuite**. Pour passer d'un mode à l'autre, suivez les instructions au bas de l'écran.

#### Programme linéaire

**Zoom (Bouton jaune)** : Appuyez sur le bouton **Jaune** pour accéder aux événements dans un intervalle de temps plus grand.

**Filtre (Bouton bleu)** : Affiche les options de filtre.

**Sélectionner le genre (Bouton des sous-titres)** : Ouvre le menu **Sélectionner le genre**. En utilisant cette fonctionnalité vous pouvez interroger la base de données du guide de programme selon le genre sélectionné. Les informations disponibles dans le guide des programmes seront recherchées et les résultats correspondants à vos critères seront mis en surbrillance.

**Options (Bouton OK)** : Affiche les options d'événement.

**Détail des événements (Bouton d'informations)** : Affiche les informations détaillées concernant les événements sélectionnés.

**Jour suivant/précédent (Boutons Programme +/-)** : Affiche les événements du jour précédent ou suivant.

**Rechercher (Bouton texte)** : Affiche le menu **Recherche guide**.

**Maintenant (Bouton Remplacement)** : Affiche l'événement en cours de la chaîne en surbrillance.

#### Programme de liste (\*)

(\*) Dans cette option de présentation, seuls les événements de la chaîne en surbrillance sont présentés.

**Préc. Intervalle de temps (Bouton rouge)** : Affiche les événements de l'intervalle de temps précédent.

**Jour suivant/précédent (Boutons Programme +/-)** : Affiche les événements du jour précédent ou suivant.

**Détail des événements (Bouton d'informations)** : Affiche les informations détaillées concernant les événements sélectionnés.

**Filtre (Bouton texte)** : Affiche les options de filtre.

**Intervalle de temps suivant (Bouton rouge)** : Affiche les événements de l'intervalle de temps suivant.

**Options (Bouton OK)** : Affiche les options d'événement.

## Programme Maintenant/Ensuite

**Naviguer (Boutons de direction) :** Appuyez sur les **boutons de Direction** pour naviguer dans la liste des chaînes et des événements.

**Options (Bouton OK) :** Affiche les options d'événement.

**Détail des événements (Bouton d'informations) :** Affiche les informations détaillées concernant les événements sélectionnés.

**Filtre (Bouton bleu) :** Affiche les options de filtre.

### Options d'événement

Dans le menu EPG, appuyez sur la touche **OK** pour accéder au menu **Options d'événements**.

**Sélectionner la Chaîne :** Dans le menu **EPG**, grâce à cette option, vous pouvez passer à la chaîne sélectionnée.

**Régler la minuterie de l'événement / Supprimer la minuterie de l'événement :** Une fois un événement sélectionné dans le menu EPG, appuyez sur le bouton **OK**. **Sélectionnez l'option Régler la minuterie** sur Événement et appuyez sur la touche **OK**. Vous pouvez définir une minuterie pour les événements à venir. **Pour annuler une minuterie existante, sélectionnez l'événement en question et appuyez sur le bouton OK.** Ensuite, sélectionnez l'option **Supprimer la minuterie de l'évènement**. La minuterie sera annulée.

### Mise à jour de votre téléviseur

Naviguez dans votre menu principal, sélectionnez **Réglages>Plus** pour afficher la version du logiciel en cours d'utilisation.

**AVERTISSEMENT** *N'installez pas une version antérieure du logiciel sur votre appareil. TP Vision ne saurait être tenue pour responsable des problèmes découlant de l'installation d'une version obsolète d'un logiciel.*

### Mise à jour avec USB

Avant de mettre le logiciel à jour, assurez-vous que :

- Vous disposez d'un périphérique USB ayant une capacité de stockage d'au moins 256 mégaoctets. Ce périphérique doit être formaté en FAT32 ou DOS et ne doit pas être protégé.
- Vous avez accès à un ordinateur ayant un connecteur USB et connecté à Internet.

Visitez le site [www.philips.com/support](http://www.philips.com/support) et suivez les instructions relatives à la mise à jour de logiciel.

### Mise à jour automatique à partir d'une diffusion numérique

Lorsque la TV reçoit le signal de l'antenne. Si l'option Recherche automatique du menu Options de mise à jour est activée, la TV se met automatiquement en marche à 03:00 et lance la recherche de chaînes de diffusion pour la mise à jour du nouveau logiciel. Si un nouveau logiciel est trouvé et téléchargé avec succès, le téléviseur commence à fonctionner avec la

nouvelle version du logiciel au prochain démarrage. Pour accéder au menu **Options de mise à niveau**, sélectionnez le menu **Réglages>Plus**, mettez en surbrillance **Mise à niveau logicielle** et appuyez sur **OK**.

**Remarque :** *Ne débranchez pas le cordon d'alimentation lorsque le voyant DEL clignote pendant le processus de redémarrage. Si la TV ne s'allume pas après la mise à jour, débranchez-la pour 2 minutes avant de la débrancher.*

## Dépannage et astuces

### La TV va s'allumer

Assurez-vous que le câble d'alimentation est correctement branché dans la prise murale. Vérifiez si les piles sont usées. Appuyez sur la touche de mise en marche du téléviseur

### Mauvaise qualité d'image

- Avez-vous sélectionné le système de TV approprié ?
- Un niveau de signal faible peut impacter négativement sur la qualité de l'image. Veuillez vérifier l'entrée de l'antenne.
- Si vous avez effectué un réglage manuel, vérifiez que vous avez entré la bonne fréquence de la chaîne.
- La qualité des images peut ne pas être bonne lorsque deux appareils sont simultanément connectés au téléviseur. Dans un tel cas, déconnectez l'un des appareils.

### Pas d'image

- L'absence d'image signifie que votre TV ne reçoit aucune transmission. Assurez-vous également que la bonne source d'entrée a été sélectionnée.
- L'antenne est-elle correctement connectée ?
- Est-ce que le câble d'antenne est endommagé ?
- Les fiches appropriées sont-elles utilisées pour brancher l'antenne ?
- En cas de doute, demandez conseil à votre vendeur.

### Pas de son

- Vérifiez si la TV est en mode Muet. Appuyez sur le bouton **Muet** ou augmentez le volume pour vérifier.
- Le son sort d'un seul haut-parleur. Vérifiez les paramètres d'équilibre à partir du menu de **Son**.

### Télécommande - ne fonctionne pas

- Les piles peuvent être déchargées. Remplacez les piles.

### Les sources d'entrée - ne peuvent pas être sélectionnées.

- Si vous ne pouvez sélectionner une source d'entrée, il est possible qu'aucun appareil ne soit connecté. Le cas échéant ;
- Vérifiez les câbles AV et les branchements si vous essayez de basculer à la source d'entrée dédiée à l'appareil connecté.

## Détails techniques

<b>Télédiffusion</b>	PAL BG/DK/II' SECAM BG/DK			
<b>Réception des chaînes</b>	VHF (BAND I/III), UHF (BAND U), HYPERBAND			
<b>Réception numérique</b>	TV numérique par câble terrestre entièrement intégrée (DVB-T-C) (DVB-T2 compatible)			
<b>Nombre de chaînes prédéfinies</b>	1.000			
<b>Indicateur de chaîne</b>	Affichage à l'écran			
<b>Entrée d'antenne RF</b>	75 Ohm (déséquilibrée)			
<b>Tension de fonctionnement</b>	220-240V AC, 50Hz.			
<b>Audio</b>	Allemand + Nicam Stéréo			
<b>Affichage</b>	24"	32"	43"	49"
<b>Puissance de sortie Audio (WRMS.) (10 % THD)</b>	2x2,5W	2x6W	2x8W	2x8W
<b>Consommation électrique (W)</b>	45W	65W	75W	75W
<b>Poids (Kg)</b>	3,45 kg	5,60 kg	9,30 kg	11,35 kg
<b>Dimensions du téléviseur D x L x H (avec pied) (mm)</b>	134x554x370 mm	185x735x478 mm	220x974x615 mm	220x1112x692 mm
<b>Dimensions du téléviseur D x L x H (sans pied) (mm)</b>	35(min)/61(max)x554x339mm	77(min)/89(max)x735x438mm	64(min)/93(max)x974x572mm	60(min)/91(max)x1112x653mm
<b>Humidité et température de fonctionnement :</b>	0 °C à 40 °C, soit 85 % d'humidité maximale			



## Modes d'affichage typiques de l'entrée PC

Le tableau ci-après est une illustration de quelques modes d'affichage vidéo typiques.

Index	Résolution	Fréquence
1	640 x 350	85Hz
2	640 x 400	70Hz
3	640 x 480	60Hz
4	640 x 480	66Hz
5	640 x 480	72Hz
6	640 x 480	75Hz
7	640 x 480	85Hz
8	800 x 600	56Hz
9	800 x 600	60Hz
10	800 x 600	70Hz
11	800 x 600	72Hz
12	800 x 600	75Hz
13	800 x 600	85Hz
14	832 x 624	75Hz
15	1024 x 768	60Hz
16	1024 x 768	66Hz
17	1024 x 768	70Hz
18	1024 x 768	72Hz
19	1024 x 768	75Hz
20	1024 x 768	85Hz
21	1152 x 864	60Hz
22	1152 x 864	70Hz
23	1152 x 864	75Hz
24	1152 x 864	85Hz
25	1 152 x 870	75Hz
26	1280 x 768	60Hz
27	1360 x 768	60Hz
28	1280 x 768	75Hz
29	1280 x 768	85Hz
30	1280 x 960	60Hz
31	1280 x 960	75Hz
32	1280 x 960	85Hz
33	1280 x 1024	60Hz
34	1280 x 1024	75Hz
35	1280 x 1024	85Hz
36	1400 x 1050	60Hz
37	1400 x 1050	75Hz
38	1400 x 1050	85Hz
39	1440 x 900	60Hz
40	1440 x 900	75Hz
41	1600 x 1200	60Hz
42	1680 x 1050	60Hz
43	1920 x 1080	60Hz
44	1 920 x 1 200	60Hz

## Compatibilité des signaux AV et HDMI

Source	Signaux pris en charge		Disponible
EXT (PÉRITEL)	PAL		O
	SECAM		O
	NTSC4.43		O
	NTSC3.58		O
	RGB 50/60		O
AV latéral	PAL		O
	SECAM		O
	NTSC4.43		O
	NTSC3.58		O
PC/YPbPr	480i, 480p	60Hz	O
	576i, 576p	50Hz	O
	720p	50 Hz, 60 Hz	O
	1080i	50 Hz, 60 Hz	O
HDMI	480i, 480p	60Hz	O
	576i, 576p	50Hz	O
	720p	50 Hz, 60 Hz	O
	1080i	50 Hz, 60 Hz	O
	1080p	24Hz, 25Hz, 30Hz, 50Hz, 60Hz	O

## Formats de fichiers vidéo pris en charge pour le mode USB

Extension	Code vidéo	SPEC (Résolution) & Taux binaire
.dat, vob	MPEG1/2	1080 P@30 fps - 40 Mbps
.mpg, .mpeg	MPEG1/2, MPEG4	
.ts, .trp, .tp	MPEG1/2, H.264, AVS, MVC	<b>H.264:</b> 1080 Px2@30 fps - 62,5 Mbps, 1080 P@60 fps - 62,5 Mbps <b>MVC :</b> 1080 P@30 fps - 62,5 Mbps <b>Autre :</b> 1080 P@30 fps - 40 Mbps
.mp4, .mov, .3gpp, .3gp	MPEG1/2, MPEG4, H.263, H.264, Motion JPEG	<b>H.264:</b> 1080 Px2@30 fps - 62,5 Mbps, 1080 P@60 fps - 62,5 Mbps <b>Motion JPEG :</b> 640 x 480@30 fps - 10 Mbps <b>Autre :</b> 1080 P@30 fps - 40 Mbps
.avi	MPEG1/2, MPEG4, Sorenson H.263, H.263, H.264, WMV3, Motion JPEG	
.mkv	MPEG1/2, MPEG4, H.263, H.264, WMV3, Motion JPEG	
.asf	Sorenson H.263, H.264, WMV3, Motion JPEG	
.flv	WMV3	1080 P@30 fps - 40 Mbps
.swf	RV30/RV40	1080 P@30 fps - 40 Mbps
.wmv		
.mp4, .mov, .3gpp, .3gp, MPEG transport stream, .ts,.trp, .tp, .mkv	HEVC/H.265	1080 P@60 fps - 50 Mbps

## Formats de fichiers image pris en charge pour le mode USB

Image	Photo	Résolution (largeur x hauteur)	Remarque
JPEG	Base-line	15360 x 8640	La limite de résolution maximale dépend de la taille de la DRAM
	Progressif	1024 x 768	
PNG	non-entrelacé	9600 x 6400	
	entrelacé	1200 x 800	
BMP		9600 x 6400	

## Formats de fichiers audio pris en charge pour le mode USB

Extension	Code audio	Taux binaire	Taux d'échantillon	
.mp3,	MPEG1/2 Layer1	32 Kbps ~ 448 Kbps	16 KHz ~ 48 KHz	
	MPEG1/2 Layer2	8 Kbps ~ 384 Kbps		
	MPEG1/2 Layer3	8 Kbps ~ 320 Kbps		
.avi	MPEG1/2 Layer1	32 Kbps ~ 448 Kbps	16 KHz ~ 48 KHz	
	MPEG1/2 Layer2	8 Kbps ~ 384 Kbps		
	MPEG1/2 Layer3	8 Kbps ~ 320 Kbps		
	AC3	32 Kbps ~ 640 Kbps	32 KHz, 44,1 KHz, 48 KHz	
	AAC, HEAAC		8 KHz ~ 48 KHz	
	WMA	128 bps ~ 320 Kbps	8 KHz ~ 48 KHz	
	WMA 10 Pro M0	< 192 kbps	48 KHz	
	WMA 10 Pro M1	< 384 kbps	48 KHz	
	WMA 10 Pro M2	< 768 kbps	96 KHz	
.asf	MPEG1/2 Layer1	32 Kbps ~ 448 Kbps	16 KHz ~ 48 KHz	
	MPEG1/2 Layer2	8 Kbps ~ 384 Kbps		
	MPEG1/2 Layer3	8 Kbps ~ 320 Kbps		
	WMA	128 bps ~ 320 Kbps	8 KHz ~ 48 KHz	
	WMA 10 Pro M0	< 192 kbps	48 KHz	
	WMA 10 Pro M1	< 384 kbps	48 KHz	
	WMA 10 Pro M2	< 768 kbps	96 KHz	
	.mkv, .mka	MPEG1/2 Layer1	32 Kbps ~ 448 Kbps	16 KHz ~ 48 KHz
		MPEG1/2 Layer2	8 Kbps ~ 384 Kbps	
MPEG1/2 Layer3		8 Kbps ~ 320 Kbps		
AC3		32 Kbps ~ 640 Kbps	32 KHz, 44,1 KHz, 48 KHz	
AAC, HEAAC			8 KHz ~ 48 KHz	
WMA		128 bps ~ 320 Kbps	8 KHz ~ 48 KHz	
WMA 10 Pro M0		< 192 kbps	48 KHz	
WMA 10 Pro M1		< 384 kbps	48 KHz	
WMA 10 Pro M2		< 768 kbps	96 KHz	
VORBIS			Jusqu'à 48 KHz	
LPCM		64 Kbps ~ 1,5 Mbps	8 KHz ~ 48 KHz	
IMA-ADPCM, MS-ADPCM		384 Kbps	8 KHz ~ 48 KHz	
G711 A/mu-law		64 Kbps ~ 128 Kbps	8KHz	
FLAC	< 1,6 Mbps	8 KHz ~ 96 KHz		
.ts, .trp, .tp, .dat, .vob, .mpg, .mpeg	MPEG1/2 Layer1	32 Kbps ~ 448 Kbps	16 KHz ~ 48 KHz	
	MPEG1/2 Layer2	8 Kbps ~ 384 Kbps		
	MPEG1/2 Layer3	8 Kbps ~ 320 Kbps		
	AC3	32 Kbps ~ 640 Kbps	32 KHz, 44,1 KHz, 48 KHz	
	EAC3	32 Kbps ~ 6 Mbps	32 KHz, 44,1 KHz, 48 KHz	
	AAC, HEAAC		8 KHz ~ 48 KHz	
	LPCM	64 Kbps ~ 1,5 Mbps	8 KHz ~ 48 KHz	

Extension	Code audio	Taux binaire	Taux d'échantillon
.wav	MPEG1/2 Layer1	32 Kbps ~ 448 Kbps	16 KHz ~ 48 KHz
	MPEG1/2 Layer2	8 Kbps ~ 384 Kbps	
	MPEG1/2 Layer3	8 Kbps ~ 320 Kbps	
	LPCM	64 Kbps ~ 1,5 Mbps	8 KHz ~ 48 KHz
	IMA-ADPCM, MS-ADPCM	384 Kbps	8 KHz ~ 48 KHz
	G711 A/mu-law	64 Kbps ~ 128 Kbps	8KHz
.3gpp, .3gp, .mp4, .mov, .m4a	MPEG1/2 Layer3	8 Kbps ~ 320 Kbps	16 KHz ~ 48 KHz
	AC3	32 Kbps ~ 640 Kbps	32 KHz, 44,1 KHz, 48 KHz
	EAC3	32 Kbps ~ 6 Mbps	32 KHz, 44,1 KHz, 48 KHz
	AAC, HEAAC		8 KHz ~ 48 KHz
	VORBIS		Jusqu'à 48 KHz
	LPCM	64 Kbps ~ 1,5 Mbps	8 KHz ~ 48 KHz
	IMA-ADPCM, MS-ADPCM	384 Kbps	8 KHz ~ 48 KHz
	G711 A/mu-law	64 Kbps ~ 128 Kbps	8KHz
.flv	MPEG1/2 Layer3	8 Kbps ~ 320 Kbps	16 KHz ~ 48 KHz
	AAC, HEAAC		8 KHz ~ 48 KHz
.ac3	AC3	32 Kbps ~ 640 Kbps	32 KHz, 44,1 KHz, 48 KHz
	AAC, HEAAC		8 KHz ~ 48 KHz
.swf	MPEG1/2 Layer3	8 Kbps ~ 320 Kbps	16 KHz ~ 48 KHz
.ec3	EAC3	32 Kbps ~ 6 Mbps	32 KHz, 44,1 KHz, 48 KHz
.rm, .rmvb, .ra	AAC, HEAAC		8 KHz ~ 48 KHz
	LBR (cook)	6 Kbps ~ 128 Kbps	8 KHz, 11,025 KHz, 22,05 KHz, 44,1 KHz
.wma, .wmv	WMA	128 bps ~ 320 Kbps	8 KHz ~ 48 KHz
	WMA 10 Pro M0	< 192 kbps	48 KHz
	WMA 10 Pro M1	< 384 kbps	48 KHz
	WMA 10 Pro M2	< 768 kbps	96 KHz
.webm	VORBIS		Jusqu'à 48 KHz

### Formats de fichiers de sous-titrage pris en charge pour le mode USB

Sous-titrages internes		
Extension	Support	Code de sous-titrage
dat, mpg, mpeg, vob	MPG, MPEG	Sous-titrage DVD
ts, trp, tp	TS	Sous-titrage DVB
mp4	MP4	Sous-titrage DVD UTF-8 Texte complet
mkv	MKV	ASS SSA UTF-8 Texte complet VobSub DVD Sous-titrage DVD
Sous-titres externes		
Extension	Analyseur de sous-titre	Remarque
.srt	Subrip	
.ssa/ .ass	Sous-station Alpha	
.smi	SAMI	
.sub	SubViewer MicroDVD Système de sous-titrage DVD Subldx (VobSub)	SubViewer 1.0 & 2.0 Exclusivement
.txt	TMPlayer	

## Indicazioni

Notifiche, caratteristiche e accessori .....	4
Efficienza Energetica .....	4
Pulsante di scorrimento TV .....	4
Accensione/Spengimento .....	4
Prima installazione .....	4
Riprodurre i file multimediali da un disco USB .....	5
Menu Browser Multimediale .....	6
CEC .....	6
Modificare le impostazioni della TV .....	6
Opzioni di visualizzazione .....	6
Opzioni audio.....	6
Configurazione delle impostazioni parentali .....	7
Guida elettronica al programma (EPG) .....	7
Aggiornare la TV.....	8
Guida alla risoluzione dei problemi e suggerimenti ..	8
Modalità tipica di visualizzazione ingresso PC ...	10
Compatibilità segnale AV e HDMI.....	10
Formati di file video supportati per la modalità USB .....	11
Formati di file immagine supportati per la modalità USB .....	11
Formati di file audio supportati per la modalità USB .....	12
Formati di file sottotitoli supportati per la modalità USB .....	13

## Importante:

“Leggere a capire tutte le informazioni nel libretto di sicurezza fornito in dotazione prima di installare e iniziare a usare la TV. Nel caso in cui vengano provocati danni per il mancato rispetto delle presenti istruzioni, la garanzia non vale.”

### Smaltimento di strumentazione vecchia e batterie

Non smaltire la TV o la batteria come normali rifiuti domestici. Se si desidera procedere allo smaltimento del prodotto o della batteria, cercare i sistemi o le strutture di raccolta disponibili per garantirne un opportuno riciclo.

**Avviso:** La dicitura *Pb* posta al di sotto del simbolo delle batterie indica che queste contengono piombo.



**Prodotti**



**Batteria**



### Televideo

Premere il pulsante **Text** per visualizzare le informazioni sul televideo. Premere nuovamente per attivare la modalità mix che consente di visualizzare la pagina televideo e la trasmissione TV contemporaneamente. Premere ancora una volta per uscire. Ove disponibili, le sezioni o le pagine del video verranno codificate mediante dei colori e potranno essere selezionate premendo i pulsanti colorati. Usare i tasti di navigazione o i pulsanti **Programma +/-** per sfogliare le diverse pagine. Il metodo di funzionamento può variare a seconda del contenuto del televideo. Attenersi alle istruzioni visualizzate a video.

1. **Standby:** Accende / Spegne la TV
2. **Testo:** Visualizza il televideo (ove disponibile), premere nuovamente per mettere in sovra-impressione il televideo su una normale immagine di una trasmissione (mix)
3. **Arresto:** Interrompe il media in fase di riproduzione
4. **Schermo:** Modifica il rapporto dello schermo
5. **Fonte:** Visualizza tutte le trasmissioni disponibili e le sorgenti contenuto
6. **Menu:** Visualizza il menu TV
7. **Passa:** Esegue un ciclo rapido fra i canali o le sorgenti precedenti o attuali  
Se la **Modalità Hotel** è impostata su **On**, una pressione del pulsante consente di passare fra le Tipologie Canale di Rete DVB-T&Analogica, DVB-Cavo&Analogica e DVB-Satellite&Analogica
8. **Tasti di navigazione:** Aiuta a spostarsi nei menu, nel contenuto, ecc. e visualizza le sottopagine in modalità TXT quando viene premuto il tasto Destro o Sinistro
9. **Programma - / Pagina -** (in modalità TELEVIDEO)
10. **Volume -**
11. **Tasto verde:** Attenersi alle istruzioni a video per le funzioni dei pulsanti colorati
12. **Tasto rosso:** Attenersi alle istruzioni a video per le funzioni dei pulsanti colorati
13. **Tasti numerici:** Alterna il canale, inserisce un numero o una lettera nella casella di testo a video.
14. **Sottotitoli:** Attiva e disattiva i sottotitoli (ove disponibile)
15. **Lingua:** Alterna le varie modalità audio (TV analogica), visualizza e modifica la lingua audio/sottotitoli (ove disponibile, TV digitale)
16. **Tasto blu:** Attenersi alle istruzioni a video per le funzioni dei pulsanti colorati
17. **Tasto giallo:** Attenersi alle istruzioni a video per le funzioni dei pulsanti colorati
18. **Volume +**
19. **Muto:** Spegne completamente il volume della TV
20. **Programma + / Pagina +** (in modalità TELEVIDEO)
21. **Ritorna/Indietro:** Torna alla schermata precedente, aprire la pagina indice (in modalità TXT)
22. **OK:** Conferma le selezioni utente, tiene la pagina (in modalità TXT), visualizza l'elenco canali
23. **Info:** Visualizza le informazioni sui contenuti a video, mostra le informazioni nascoste (mostra - in modalità TXT)
24. **Play:** Inizia a riprodurre i media selezionati
25. **Pausa:** Mette in pausa il file in fase di riproduzione
26. **Spegnimento:** Imposta lo spegnimento automatico della TV
27. **EPG (Guida programmazione elettronica):** Visualizza la guida del programma elettronico

**Nota:** La distanza di funzionamento è di circa 7 m / 23 ft.

## Notifiche, caratteristiche e accessori

### Efficienza Energetica

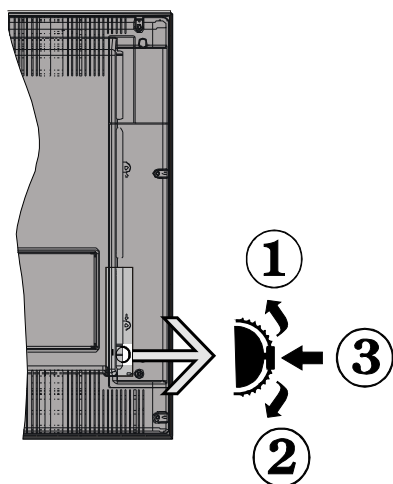
Questa TV è stata progettata con funzioni di efficacia energetica:

- **Risparmio energetico:** Sarà possibile applicare una combinazione di impostazioni per il risparmio energetico. Quando si guarda la TV premere il pulsante **Menu**, e le impostazioni **Risparmio energetico** si troveranno nella sezione **Immagine** del Menu Principale.
- **Modalità Picture off:** Se si vuole unicamente ascoltare audio dalla TV, sarà possibile spegnere il display. Altre funzioni continuano a operare in modo corretto. Quando si guarda la TV, premere il pulsante **Menu** e selezionare **Immagine**, e da quel punto selezionare l'opzione **Risparmio energetico**. Premere il pulsante Destro mentre l'opzione **Auto** è selezionata, oppure il pulsante Sinistro mentre è selezionata l'opzione **Personalizzata**. Sullo schermo si visualizzerà un messaggio. Selezionare **Procedi** e premere **OK** per spegnere subito lo schermo. Qualora non venga premuto nessun pulsante, lo schermo di spegnerà dopo 15 secondi. Premere qualsiasi pulsante sul telecomando o sulla TV per riaccendere lo schermo.

*Nota: L'opzione Schermo Off non è disponibile se la modalità è impostata su Gioco. Scollegare la TV dalla presa di corrente nel caso in cui la TV rimanga inattiva a lungo.*

### Pulsante di scorrimento TV

Il pulsante di scorrimento TV sul lato della TV consente di controllare il volume, modificare i canali e mettere la TV in standby.



**Per modificare il volume:** Aumentare il volume scorrendo verso l'alto. Diminuire il volume scorrendo verso il basso.

**Per cambiare i canali:**

- Premere la parte centrale del pulsante scroll, comparirà a video il banner contenente le informazioni sul canale.

- Scorrere fra i canali salvati premendo il pulsante su o giù

**Per modificare la sorgente:**

- Premere due volte la parte centrale del pulsante (per due volte in totale); compare a video l'elenco dei canali.
- Scorrere fra le fonti disponibili premendo il pulsante su o giù.

**Per mettere a TV in standby:** Premere la parte centrale del pulsante e tenerla premuta per alcuni secondi; la TV passa in modalità standby.

**Per accendere la TV dallo standby:** Premere la parte centrale del pulsante, la TV si accende.

**Note:**

*Spegnendo la TV questo cerchio inizia a nuovamente con l'impostazione del volume.*

*L'OSD del menu principale non può essere visualizzato mediante il pulsante di controllo.*

### Accensione/Spengimento

**Per accendere la TV**

Per accendere la TV dalla modalità di standby è possibile:

- Premere il tasto **Standby, Programma +/-** o un tasto numerico sul telecomando.
- Premere la parte centrale dell'interruttore funzione laterale sulla TV.

*Nota: Se la TV è stata lasciata accesa e non usata per 4 ore, passerà in standby. Alla successiva riaccensione, viene visualizzato il seguente messaggio. "Standby - nessun funzionamento", Premere **OK** per continuare.*

**Per spegnere la TV**

- Premere il pulsante **Standby** sul telecomando oppure premere l'interruttore di controllo sulla TV e tenerlo premuto per alcuni secondi, fino a che la TV non passa in modalità standby.

*Nota: Per spegnere completamente la TV, scollegare il cavo di alimentazione dalla presa di rete.*

### Prima installazione

Comparirà la finestra di selezione lingua alla prima accensione della TV. Selezionare la lingua preferita e premere **OK**.

*Nota: Se viene connesso un dispositivo USB alla TV, sarà possibile premere il pulsante **VERDE** sul telecomando prima di continuare, al fine di caricare i dati NVRAM (elenco servizi, preferenze, ecc.) dal dispositivo USB caricato da un'altra Philips Hotel TV. Rimandiamo alle sezioni "**Copia su USB**" e "**Copia da USB**" alla voce **Hotel Mode** sulle pagine al termine di questo manuale.*

*Se il tipo corretto di file di aggiornamento software viene pre-installato nel dispositivo USB, sarà possibile premere il pulsante **ROSSO** sul telecomando prima di continuare, per procedere con l'aggiornamento del software della TV. Il file di aggiornamento software dovrebbe essere*



nominato come "VES162HE\_upgrade.bin" oppure "Philips\_upgrade\_mb110.bin".

L'aggiornamento software tramite dispositivo USB può essere seguito in qualsiasi momento usando la combinazione di tasti segreta, "**Menu-1-5-0-5**".

Sulla schermata successiva, impostare le preferenze servendosi dei pulsanti direzionali. Al termine, premere **OK** per continuare.

Sarà possibile configurare la TV seguendo le istruzioni della Prima installazione (FTI) con le seguenti selezioni.

### Installazione dell'antenna digitale

Qualora l'opzione di ricerca trasmissione Antenna Digitale sia accesa la TV cercherà le trasmissioni terrestri digitali dopo che sono state completate le altre impostazioni iniziali.

### Installazione cavo digitale

Qualora l'opzione di ricerca trasmissione **Cavo Digitale** sia accesa la TV cercherà le trasmissioni cavo digitale dopo che sono state completate le altre impostazioni iniziali. A seconda delle proprie preferenze, potrebbe essere visualizzato un messaggio di conferma prima di avviare la ricerca. Per l'installazione automatica, nel caso in cui il fornitore di rete via Cavo supporti l'installazione basata su ID di rete (ad esempio Unitymedia), selezionare **Sì** e premere **OK**.

Nel caso in cui il fornitore di rete via cavo non supporti un'installazione basata su ID di rete, selezionare **No**, premere **OK** e seguire le istruzioni a video.

Da questa schermata è possibile scegliere le gamme di frequenza. Inserire il numero del canale multiplex o la frequenza usando i tasti numerici.

**Nota:** La ricerca della durata varia a seconda del **Passo di Ricerca** selezionato.

### Installazione analogica

Se viene attivata l'opzione di ricerca trasmissione **Analogica**, la TV cercherà le trasmissioni analogiche via satellite dopo che saranno state completate tutte le altre impostazioni iniziali.

Sarà inoltre possibile impostare un tipo di trasmissione come preferito. Verrà data la priorità al tipo di trasmissione selezionato durante il processo di ricerca, e i canali verranno elencati sulla parte superiore dell'**Elenco Canali**. Alla fine, premere **OK** per continuare.

Segue la schermata di selezione **Modalità Home / Modalità Negozio**. Consigliamo di selezionare **Modalità Home** per l'uso domestico.

Dopo aver completato le impostazioni iniziali, la TV inizierà a cercare le trasmissioni disponibili dei tipi di trasmissione selezionati.

Mentre la ricerca continua, compare un messaggio, e viene chiesto se si desidera ordinare i canali in linea con LCN(\*). Selezionare **Sì** e premere **OK** per confermare.

(\* LCN è il sistema Numero Logico di Canale che organizza le trasmissioni disponibili con una sequenza numerica di canali riconoscibile (ove disponibile).

Dopo aver salvato tutte le stazioni disponibili, verranno visualizzati i risultati della scansione. Premere il **OK** per continuare. Successivamente, verrà visualizzato **Modifica Elenco Canali**. Premere il pulsante **Menu** per uscire **Modifica Elenco Canali** e guardare la TV.

**Note:** Non spegnere la TV mentre è in corso l'inizializzazione della prima installazione. Si prega di notare che alcune opzioni potrebbero non essere disponibili a seconda della selezione del paese.

### Riprodurre i file multimediali da un disco USB

Sarà possibile riprodurre file fotografici, musicali e filmati archiviati in un disco USB collegando il disco alla TV e utilizzando la schermata del browser multimediale. Collegare un disco USB agli appositi ingressi posti al lato posteriore della TV. Il dispositivo USB viene automaticamente riconosciuto dalla TV e viene visualizzato il menu **Media Browser**. Sarà inoltre possibile accedere al menu **Media Browser** dal menu principale della TV. Premere il pulsante **Menu**, selezionare **Media Browser** dall'elenco e premere il pulsante **OK** per accedere.

Dopo aver selezionato un tipo di supporto desiderato nel menu **Media Browser**, premendo il pulsante **Menu** sarà possibile accedere alle opzioni menu **Immagine**, **Audio** e **Impostazioni**. Premendo nuovamente il pulsante **Menu** si uscirà da questa schermata. Sarà possibile impostare le preferenze del **Media Browser** usando il menu **Impostazioni**.

Per attivare la funzione **Auto Play**, evidenziare questa opzione nel menu **Impostazioni** e impostare su **On** servendosi dei pulsanti direzionali. Quando questa funzione è attivata, la TV rileva i dispositivi USB collegati e cerca file multimediali.

Vengono cercati come prima cosa i file immagine. Qualora non vengano trovati file foto, il programma cerca file Video. Qualora non vengano trovati file Video, il programma cerca file Audio.




Dopo aver trovato un file da riprodurre, verrà selezionato il formato di questo file come scelta costante, e ogni file con questo formato verrà riprodotto in un loop infinito. L'uso del telecomando per uscire, ecc. interromperà la riproduzione del (dei) file e interromperà il loop di riproduzione.

Quando la TV non trova file multimediali, il menu principale del media browser verrà visualizzato a video. Impostare lo **Stile di visualizzazione** su **Flat** per fare in modo che vengano cercati tutti i file in tutte le sotto-cartelle all'interno del dispositivo USB.

**Nota:** Se la TV si trova in modalità standby, questa funzione non sarà disponibile.

**IMPORTANTE!** Eseguire il backup dei file prima di eseguire eventuali collegamenti con la TV. Si noti che il produttore non è in alcun modo responsabile di eventuali danni o perdite di dati. È possibile che alcuni tipi di dispositivi USB ad esempio lettori MP3 o unità di memoria USB/stick di memoria non siano compatibili con questa TV.

### Menu Browser Multimediale

Funzionamento Modalità Loop/Shuffle	
Avviare la riproduzione col pulsante <b>Riproduci</b> , quindi attivare 	Tutti i file nell'elenco verranno riprodotti a ciclo continuo nell'ordine originale
Avviare la riproduzione col pulsante <b>OK</b> , quindi attivare 	Lo stesso file verrà riprodotto a ciclo continuo (ripeti)
Avviare la riproduzione col pulsante <b>Riproduci</b> , quindi attivare 	Tutti i file nell'elenco verranno riprodotti una volta in ordine casuale
Avviare la riproduzione col pulsante <b>Riproduci</b> , quindi attivare  e 	Tutti i file nell'elenco verranno riprodotti a ciclo continuo nello stesso ordine casuale

### CEC

Questa funzione consente di controllare i dispositivi dotati di CEC, collegati tramite porte HDMI, servendosi del telecomando della TV.

L'opzione **CEC** nel menu **Impostazioni>Altro** dovrebbe come prima cosa essere impostata su **Attivata**. Premere il pulsante **Sorgente** e selezionare l'ingresso HDMI del dispositivo CEC connesso dal menu **Elenco sorgenti**. Quando viene collegato un nuovo dispositivo sorgente CEC, verrà elencato nel menu sorgenti col nome anziché col nome delle porte HDMI collegate (come ad esempio lettore DVD, Recorder 1 ecc.).

Il telecomando sarà in grado di eseguire automaticamente le funzioni principali dopo aver selezionato la sorgente HDMI collegata.

Per concludere questa operazione e controllare nuovamente la TV tramite telecomando, premere e tenere premuto il tasto "0-Zero" sul telecomando per 3 secondi. Sarà inoltre possibile attivare o disattivare questa funzione sotto al menu **Impostazioni>Altro**.

La TV supporta anche la funzione ARC (Audio Return Channel). Questa funzione è un collegamento audio pensato per sostituire altri cavi fra la TV e l'impianto audio (ricevitore A/V o impianto audio).

Quando la funzione ARC è attiva, la TV non disattiva automaticamente l'audio delle altre uscite audio. Sarà quindi necessario abbassare manualmente il volume della TV a zero, qualora si desideri sentire l'audio unicamente dal dispositivo audio collegato (proprio

come con altre uscite audio digitali ottiche o coassiali). Per modificare il livello del volume del dispositivo collegato, selezionare un dispositivo dall'elenco. In questo caso i pulsanti di controllo del volume vengono indirizzati al dispositivo audio collegato.

**Nota:** ARC è supportato solo tramite l'ingresso HDMI1.

### Controllo impianto audio

Consente di utilizzare un Amplificatore / Ricevitore audio con la TV. Sarà possibile controllare il volume servendosi del telecomando della TV. Per attivare questa funzione impostare l'opzione **Altoparlanti** nel menu **Impostazioni>Altro** su **Amplificatore**. Gli altoparlanti della TV verranno disattivati e l'audio della sorgente guardata verrà fornito dall'impianto audio collegato.

**Nota:** Il dispositivo audio dovrebbe supportare la funzione System Audio Control e l'opzione **CEC** dovrebbe essere impostata su **Attiva**.

### Modificare le impostazioni della TV

Per accedere alle opzioni di seguito elencate;

- 1- Premere il tasto **Menu**
- 2- Evidenzia la selezione
- 3- Premere **OK** per confermare

### Opzioni di visualizzazione

**Modalità:** Modifica la modalità immagine su una delle seguenti opzioni: **Cinema**, **Gioco(\*)**, **Sport**, **Dinamico** e **Naturale**.

(\*) **L'opzione modalità Gioco** potrebbe non essere disponibile a seconda della selezione sorgente attuale.

**Contrasto:** Imposta i valori di luminosità e buio dell'immagine.

**Luminosità:** Imposta il valore di luminosità dell'immagine.

**Nitidezza:** Imposta il valore della nitidezza. Un elevato valore di nitidezza potrebbe comparire un'immagine più chiara e più fresca, a seconda del contenuto.

**Colore:** Imposta il valore del colore.

**Retroilluminazione:** Controlla la luminosità della retroilluminazione. La funzione di retroilluminazione non sarà attiva se il **Risparmio energetico** viene impostato su un'opzione che non sia **Personalizzato**.

### Opzioni audio

**Volume:** Regola il livello del volume.

**Equalizzatore:** Modifica la modalità equalizzatore.

**Bilanciamento:** Regola se il suono proviene principalmente dagli altoparlanti di destra o di sinistra.

**Cuffia:** Imposta il volume della cuffia. Questa opzione non sarà attiva se l'opzione **Cuffie/Lineout** è impostata su **Lineout**.

**Modo suono:** imposta la modalità audio preferita.

**AVL:** Imposta un limite all'output massimo del volume.

**Cuffia/Lineout:** Questa opzione è impostata su **Cuffie** se si dispone di cuffie oppure su **Lineout** nel caso in cui si abbia un amplificatore collegato al jack cuffie.

**Basso dinamico:** Attiva o disattiva la funzione Bass dinamico. Aumenta il range dei bassi.

**Suono surround:** La modalità surround audio può essere impostata su **On** od **Off**.

**Uscita digitale:** Imposta il tipo di audio in uscita.

### Configurazione delle impostazioni parentali

Questa funzione serve a limitare l'accesso ai contenuti selezionati. È controllato da un numero di PIN definito dall'utente. Queste impostazioni si trovano nel menu **Impostazioni > Genitori**.

*Nota: Il PIN predefinito può essere impostato su 0000 o 1234. Qualora sia stato definito il PIN (richiesto a seconda della selezione paese) durante la **Prima Installazione** usare il PIN definito.*

*Alcune opzioni potrebbero non essere disponibili a seconda della selezione del paese nella **Prima installazione**.*

**Blocco menu:** L'impostazione Blocco menu (Menu Lock) attiva o disattiva l'accesso al menu.

**Blocco adulti (opzionale):** Se è impostata questa opzione la TV riceve le informazioni genitori dalla trasmissione, mentre se il blocco genitori è disattivato viene disattivato l'accesso alla trasmissione.

**Blocco bambini (opzionale):** Quando il Blocco Bambini è impostato, l'apparecchio TV può solo essere controllato manualmente dal telecomando. In tal caso, i tasti del pannello frontale non funzioneranno.

**Guida (opzionale):** Questa impostazione attiva o disattiva l'accesso ad alcune delle applicazioni MHEG. Le applicazioni disattivate possono essere rilasciate inserendo il PIN corretto.

**Imposta PIN:** Definisce un nuovo numero PIN.

**PIN CICAM predefinito:** Questa opzione non sarà selezionabile se non è inserito nessun modulo CI nell'alloggiamento CI della TV. Sarà possibile modificare il PIN predefinito della CI CAM servendosi di questa opzione.

### Guida elettronica al programma (EPG)

Alcuni canali inviano informazioni sui loro programmi delle trasmissioni. Premere il tasto **Epg** per visualizzare il menu EPG.

Ci sono 3 tipologie diverse di layout di programma disponibili, **Programma linea temporale**, **Programma elenco** e **Programma ora/successivo**. Per spostarsi da una modalità all'altra attenersi alle istruzioni sulla parte inferiore dello schermo.

### Programma linea temporale

**Zoom (pulsante giallo):** Premere il pulsante **Giallo** per vedere gli eventi in un intervallo di tempo più ampio.

**Filtra (pulsante blu):** Visualizza le opzioni di filtraggio.

**Seleziona Genere (pulsante Sottotitoli):** Visualizza il menu **Seleziona genere**. Usando questa funzione, è possibile eseguire una ricerca nel database della guida programmi conformemente al genere. Si effettuerà una ricerca delle informazioni disponibili nella guida programmi, e saranno evidenziati i risultati conformi ai criteri immessi.

**Opzioni (pulsante OK):** Visualizza le opzioni evento.

**Dettagli evento (pulsante info):** Visualizza informazioni dettagliate sugli eventi selezionati.

**Giorno prec/succ (pulsanti Programma +/-):** Visualizza gli eventi del giorno precedente o successivo.

**Cerca (Pulsante Text):** Visualizza il menu **Cerca Guida**.

**Ora (pulsante Swap):** Visualizza l'evento attuale del canale evidenziato.

### Programma ELENCO (\*)

*(\*) In questa opzione di layout, verranno elencati solo gli eventi del canale selezionato.*

**Prec. Fascia oraria (pulsante rosso):** Visualizza gli eventi della fascia temporale precedente.

**Giorno prec/succ (pulsanti Programma +/-):** Visualizza gli eventi del giorno precedente o successivo.

**Dettagli evento (pulsante info):** Visualizza informazioni dettagliate sugli eventi selezionati.

**Filtro (Pulsante Text):** Visualizza le opzioni di filtraggio.

**Fascia oraria successiva (pulsante verde):** Visualizza gli eventi della fascia temporale successiva.

**Opzioni (pulsante OK):** Visualizza le opzioni evento.

### Pulsante Ora/Successivo

**Naviga (Pulsanti di navigazione):** Premere i **Pulsanti di navigazione** per spostarsi fra i vari canali ed eventi.

**Opzioni (pulsante OK):** Visualizza le opzioni evento.

**Dettagli evento (pulsante info):** Visualizza informazioni dettagliate sugli eventi selezionati.

**Filtra (pulsante blu):** Visualizza le opzioni di filtraggio.

### Opzioni Evento

Nel menu EPG, premere il tasto **OK** per aprire il menu **Opzioni evento**.

**Seleziona canale:** Nel menu EPG, utilizzando questa opzione, è possibile cambiare il canale selezionato.

**Imposta Timer su Evento / Elimina Timer su Evento:** Dopo aver selezionato un evento nel menu EPG, premere il pulsante **OK**. **Selezionare l'opzione** "Imposta Timer su Evento" (Set Timer on Event), quindi premere il pulsante **OK**. Sarà possibile impo-

stare un timer per gli eventi futuri. Per annullare un timer già impostato, evidenziare l'evento e premere il pulsante **OK**. Quindi, selezionare **“Elimina Timer sull'opzione”** Il timer verrà annullato.

### Aggiornare la TV

Spostarsi sul menu principale, scegliere **Impostazioni>Altro**, viene visualizzata la versione del software attuale.

**ATTENZIONE:** Non installare una versione inferiore di software rispetto a quella attualmente presente sul dispositivo. La TP Vision non può essere ritenuta o resa responsabile di eventuali problemi causati da un downgrade software.

### Aggiornamento con USB

Prima di aggiornare il software, accertarsi di disporre di quanto segue:

- Un dispositivo di archiviazione USB che ha almeno 256 megabyte di spazio di stoccaggio è formattato FAT32 o DOS e ha la protezione da scrittura disattivata.
- L'accesso a un computer con un connettore USB e accesso a Internet.

Accedere al sito [www.philips.com/support](http://www.philips.com/support), e attenersi alle istruzioni di aggiornamento software.

### Aggiornamento automatico da trasmissione digitale

Quando la TV è collegata a un segnale antenna. Nel caso in cui sia **Attivato** il menu **Ricerca Automatica** nelle **Opzioni di Aggiornamento**, la TV si attiva alle ore 03:00 e ricerca canali di trasmissione per nuovi aggiornamenti software. Nel caso in cui venga trovato e scaricato nuovo software, alla prossima accensione la TV si aprirà con una nuova versione software. Per aprire il menu **Opzioni aggiornamento**, accedere al menu **Impostazioni>Altro**, evidenziare **Aggiornamento software** e premere il pulsante **OK**.

**Nota:** Non scollegare il cavo di alimentazione mentre il LED lampeggia durante il processo di riavvio. Se la TV non si accende dopo l'aggiornamento, scollegarla, attendere due minuti, quindi ricollegarla.

### Guida alla risoluzione dei problemi e suggerimenti

#### La TV non si accende

Accertarsi che il cavo di alimentazione sia saldamente collegato alla presa a parete. Verificare che le batterie non siano scariche. Premere il tasto Power sulla TV oppure

#### Immagine di qualità scadente

- Controllare di aver impostato il sistema TV corretto.
- Il segnale di livello basso può provocare distorsioni dell'immagine. Controllare l'accesso all'antenna.
- Controllare di aver inserito la frequenza di canale corretta qualora sia stata eseguita la sintonizzazione manuale.

- La qualità dell'immagine potrebbe calare quando vengono collegati contemporaneamente due dispositivi alla TV. In tal caso, scollegare una delle dispositivi.

#### Nessuna immagine

- Nessuna Immagine significa che l'apparecchio TV non riceve alcuna trasmissione. Assicurarsi di aver selezionato la fonte di ingresso corretta.
- L'antenna è collegata correttamente?
- Il cavo dell'antenna è danneggiato?
- Sono state usate le spine giuste per collegare l'antenna?
- In caso di dubbio, contattare il rivenditore.

#### Assenza di audio

- Verificare che sia disattivato l'audio della TV. Premere il pulsante **Disattiva audio** o alzare il volume per controllare.
- L'audio viene emesso solo da un altoparlante. Controllare le impostazioni di bilanciamento dal menu **Audio**.

#### Telecomando - nessun funzionamento

- Le batterie potrebbero essere scariche. Sostituire le batterie.

#### Sorgenti di ingresso - non è stato possibile effettuare la selezione

- Se non è possibile selezionare una fonte di ingresso è possibile che non sia collegato alcun dispositivo. In caso contrario;
- Controllare i cavi AV e i collegamenti qualora si stia cercando di modificare la sorgente di ingresso dedicata al dispositivo collegato.

## Caratteristiche tecniche

<b>Trasmissione TV</b>	PAL BG/DK/II' SECAM BG/DK			
<b>Canali riceventi</b>	VHF (BAND I/III) - UHF (BAND U) - HYPERBAND			
<b>Ricezione digitale</b>	TV digitale pienamente integrata (DVB-T-C) (Conforme a DVB-T2)			
<b>Numero dei canali pre-impostati</b>	1.000			
<b>Indicatore di canale</b>	OSD			
<b>Ingresso antenna RF</b>	75 Ohm (non bilanciato)			
<b>Tensione Operativa</b>	220-240V AC, 50Hz.			
<b>Audio</b>	German+Nicam Stereo			
<b>Display</b>	24"	32"	43"	49"
<b>Potenza Uscita Audio (WRMS.) (10% THD)</b>	2x2,5W	2x6W	2x8W	2x8W
<b>Consumo energetico (W)</b>	45W	65W	75W	75W
<b>Peso (Kg)</b>	3,45 kg	5,60 kg	9,30 kg	11,35 kg
<b>TV Dimensioni P x L x A (con piedistallo) (mm)</b>	134x554x370 mm	185x735x478 mm	220x974x615 mm	220x1112x692 mm
<b>TV Dimensioni P x L x A (senza piedistallo) (mm)</b>	35(min)/61(max)x554x339mm	77(min)/89(max)x735x438mm	64(min)/93(max)x974x572mm	60(min)/91(max)x1112x653mm
<b>Temperatura di funzionamento e umidità</b>	0°C fino a 40°C, 85% umidità			

## Modalità tipica di visualizzazione ingresso PC

La tabella che segue illustra alcune delle modalità di visualizzazione tipiche del video.

Indice	Risoluzione	Frequenza
1	640x350	85Hz
2	640x400	70Hz
3	640x480	60Hz
4	640x480	66Hz
5	640x480	72Hz
6	640x480	75Hz
7	640x480	85Hz
8	800x600	56Hz
9	800x600	60Hz
10	800x600	70Hz
11	800x600	72Hz
12	800x600	75Hz
13	800x600	85Hz
14	832x624	75Hz
15	1024x768	60Hz
16	1024x768	66Hz
17	1024x768	70Hz
18	1024x768	72Hz
19	1024x768	75Hz
20	1024x768	85Hz
21	1152x864	60Hz
22	1152x864	70Hz
23	1152x864	75Hz
24	1152x864	85Hz
25	1152x870	75Hz
26	1280x768	60Hz
27	1360x768	60Hz
28	1280x768	75Hz
29	1280x768	85Hz
30	1280x960	60Hz
31	1280x960	75Hz
32	1280x960	85Hz
33	1280x1024	60Hz
34	1280x1024	75Hz
35	1280x1024	85Hz
36	1400x1050	60Hz
37	1400x1050	75Hz
38	1400x1050	85Hz
39	1440x900	60Hz
40	1440x900	75Hz
41	1600x1200	60Hz
42	1680x1050	60Hz
43	1920x1080	60Hz
44	1920x1200	60Hz

## Compatibilità segnale AV e HDMI

Fonte	Segnali supportati		Disponibile
<b>EXT (SCART)</b>	PAL		O
	SECAM		O
	NTSC4.43		O
	NTSC3.58		O
	RGB 50/60		O
<b>AV laterale</b>	PAL		O
	SECAM		O
	NTSC4.43		O
	NTSC3.58		O
<b>PC/ YPbPr</b>	480i, 480p	60Hz	O
	576i, 576p	50Hz	O
	720p	50Hz,60Hz	O
	1080i	50Hz,60Hz	O
<b>HDMI</b>	480i, 480p	60Hz	O
	576i, 576p	50Hz	O
	720p	50Hz,60Hz	O
	1080i	50Hz,60Hz	O
	1080p	24Hz, 25Hz, 30Hz, 50Hz, 60Hz	O

## Formati di file video supportati per la modalità USB

Estensione	Codec Video	SPEC (Risoluzione) & Bit Rate
.dat, vob	MPEG1/2	1080P@30fps - 40 Mbps
.mpg, .mpeg	MPEG1/2, MPEG4	
.ts, .trp, .tp	MPEG1/2, H.264, AVS, MVC	<b>H.264:</b> 1080Px2@30fps - 62.5 Mbps, 1080P@60fps - 62.5 Mbps <b>MVC:</b> 1080P@30fps - 62.5 Mbps <b>Altro:</b> 1080P@30fps - 40Mbps
.mp4, .mov, .3gpp, .3gp	MPEG1/2, MPEG4, H.263, H.264, Motion JPEG	<b>H.264:</b> 1080Px2@30fps - 62.5 Mbps, 1080P@60fps - 62.5 Mbps <b>Motion JPEG:</b> 640x480@30fps - 10 Mbps <b>Altro:</b> 1080P@30fps - 40 Mbps
.avi	MPEG1/2, MPEG4, Sorenson H.263, H.263, H.264, WMV3, Motion JPEG	
.mkv	MPEG1/2, MPEG4, H.263, H.264, WMV3, Motion JPEG	
.asf	Sorenson H.263, H.264, WMV3, Motion JPEG	
.flv	WMV3	
.swf	RV30/RV40	1080P@30fps - 40 Mbps
.wmv		
.mp4, .mov, .3gpp, .3gp, MPEG transport stream, .ts, .trp, .tp, .mkv	HEVC/H.265	1080P@60fps - 50Mbps

## Formati di file immagine supportati per la modalità USB

Immagine	Foto	Risoluzione (larghezza x altezza)	Consigli
JPEG	Base-line	15360x8640	Il limite per la risoluzione massima dipende dalle dimensioni della DRAM
	Progressive	1024x768	
PNG	non-interlacciato	9600x6400	
	interlaccia	1200x800	
BMP		9600x6400	

## Formati di file audio supportati per la modalità USB

Estensione	Codec Audio	Bit Rate	Frequenza di campionamento
.mp3,	MPEG1/2 Layer1	32Kbps ~ 448Kbps	16KHz ~ 48KHz
	MPEG1/2 Layer2	8Kbps ~ 384Kbps	
	MPEG1/2 Layer3	8Kbps ~ 320Kbps	
.avi	MPEG1/2 Layer1	32Kbps ~ 448Kbps	16KHz ~ 48KHz
	MPEG1/2 Layer2	8Kbps ~ 384Kbps	
	MPEG1/2 Layer3	8Kbps ~ 320Kbps	
	AC3	32Kbps ~ 640Kbps	32KHz, 44,1KHz, 48KHz
	AAC, HEAAC		8KHz ~ 48KHz
	WMA	128bps ~ 320Kbps	8KHz ~ 48KHz
	WMA 10 Pro M0	< 192kbps	48KHz
	WMA 10 Pro M1	< 384kbps	48KHz
	WMA 10 Pro M2	< 768kbps	96KHz
	LPCM	64Kbps ~ 1.5Mbps	8KHz ~ 48KHz
	IMA-ADPCM, MS-ADPCM	384Kbps	8KHz ~ 48KHz
G711 A/mu-law	64Kbps ~ 128Kbps	8KHz	
.asf	MPEG1/2 Layer1	32Kbps ~ 448Kbps	16KHz ~ 48KHz
	MPEG1/2 Layer2	8Kbps ~ 384Kbps	
	MPEG1/2 Layer3	8Kbps ~ 320Kbps	
	WMA	128bps ~ 320Kbps	8KHz ~ 48KHz
	WMA 10 Pro M0	< 192kbps	48KHz
	WMA 10 Pro M1	< 384kbps	48KHz
	WMA 10 Pro M2	< 768kbps	96KHz
.mkv, .mka	MPEG1/2 Layer1	32Kbps ~ 448Kbps	16KHz ~ 48KHz
	MPEG1/2 Layer2	8Kbps ~ 384Kbps	
	MPEG1/2 Layer3	8Kbps ~ 320Kbps	
	AC3	32Kbps ~ 640Kbps	32KHz, 44,1KHz, 48KHz
	AAC, HEAAC		8KHz ~ 48KHz
	WMA	128bps ~ 320Kbps	8KHz ~ 48KHz
	WMA 10 Pro M0	< 192kbps	48KHz
	WMA 10 Pro M1	< 384kbps	48KHz
	WMA 10 Pro M2	< 768kbps	96KHz
	VORBIS		Fino a 48KHz
	LPCM	64Kbps ~ 1.5Mbps	8KHz ~ 48KHz
	IMA-ADPCM, MS-ADPCM	384Kbps	8KHz ~ 48KHz
	G711 A/mu-law	64Kbps ~ 128Kbps	8KHz
	FLAC	< 1.6Mbps	8KHz ~ 96KHz
.ts, .trp, .tp, .dat, .vob, .mpg, .mpeg	MPEG1/2 Layer1	32Kbps ~ 448Kbps	16KHz ~ 48KHz
	MPEG1/2 Layer2	8Kbps ~ 384Kbps	
	MPEG1/2 Layer3	8Kbps ~ 320Kbps	
	AC3	32Kbps ~ 640Kbps	32KHz, 44,1KHz, 48KHz
	EAC3	32Kbps ~ 6Mbps	32KHz, 44,1KHz, 48KHz
	AAC, HEAAC		8KHz ~ 48KHz
	LPCM	64Kbps ~ 1.5Mbps	8KHz ~ 48KHz



Estensione	Codec Audio	Bit Rate	Frequenza di campionamento
.wav	MPEG1/2 Layer1	32Kbps ~ 448Kbps	16KHz ~ 48KHz
	MPEG1/2 Layer2	8Kbps ~ 384Kbps	
	MPEG1/2 Layer3	8Kbps ~ 320Kbps	
	LPCM	64Kbps ~ 1.5Mbps	8KHz ~ 48KHz
	IMA-ADPCM, MS-ADPCM	384Kbps	8KHz ~ 48KHz
	G711 A/mu-law	64Kbps ~ 128Kbps	8KHz
.3gp, .3gp, .mp4, .mov, .m4a	MPEG1/2 Layer3	8Kbps ~ 320Kbps	16KHz ~ 48KHz
	AC3	32Kbps ~ 640Kbps	32KHz, 44,1KHz, 48KHz
	EAC3	32Kbps ~ 6Mbps	32KHz, 44,1KHz, 48KHz
	AAC, HEAAC		8KHz ~ 48KHz
	VORBIS		Fino a 48KHz
	LPCM	64Kbps ~ 1.5Mbps	8KHz ~ 48KHz
	IMA-ADPCM, MS-ADPCM	384Kbps	8KHz ~ 48KHz
	G711 A/mu-law	64Kbps ~ 128Kbps	8KHz
.flv	MPEG1/2 Layer3	8Kbps ~ 320Kbps	16KHz ~ 48KHz
	AAC, HEAAC		8KHz ~ 48KHz
.ac3	AC3	32Kbps ~ 640Kbps	32KHz, 44,1KHz, 48KHz
	AAC, HEAAC		8KHz ~ 48KHz
.swf	MPEG1/2 Layer3	8Kbps ~ 320Kbps	16KHz ~ 48KHz
.ec3	EAC3	32Kbps ~ 6Mbps	32KHz, 44,1KHz, 48KHz
.rm, .rmvb, .ra	AAC, HEAAC		8KHz ~ 48KHz
	LBR (cook)	6Kbps ~ 128Kbps	8KHz, 11,025KHz, 22,05KHz, 44,1KHz
.wma, .wmv	WMA	128bps ~ 320Kbps	8KHz ~ 48KHz
	WMA 10 Pro M0	< 192kbps	48KHz
	WMA 10 Pro M1	< 384kbps	48KHz
	WMA 10 Pro M2	< 768kbps	96KHz
.webm	VORBIS		Fino a 48KHz

## Formati di file sottotitoli supportati per la modalità USB

Sottotitoli interni		
Estensione	Contenitore	Codice sottotitoli
dat, mpg, mpeg, vob	MPG, MPEG	Sottotitoli DVD
ts, trp, tp	TS	Sottotitoli DVB
mp4	MP4	Sottotitoli DVD Testo semplice UTF-8
mkv	MKV	ASS SSA Testo semplice UTF-8 VobSub Sottotitoli DVD
Sottotitoli esterni		
Estensione	Parser sottotitoli	Consigli
.srt	Subrip	
.ssa/ .ass	SubStation Alpha	
.smi	SAMI	
.sub	SubViewer MicroDVD DVDSubtitleSystem SubIdx (VobSub)	SubViewer 1.0 & 2.0 Only
.txt	TMPlayer	

## Inhoudsopgave

Berichten, functies en accessoires .....	4
Energie efficiëntie .....	4
Tv bladeren knop .....	4
In-/uitschakelen .....	4
Eerste installatie .....	4
Mediabestanden afspelen van een usb-drive .....	5
Mediabrowser menu .....	6
CEC .....	6
Tv-instellingen wijzigen .....	6
Weergave opties .....	6
Geluidsopties .....	6
Configureert de instellingen van ouderlijk toezicht .....	7
Elektronische programmagids (EPG) .....	7
Uw tv bijwerken .....	8
Probleemoplossen & tips .....	8
PC-invoer normale weergavemodi .....	10
AV en HDMI- signaal compatibiliteit .....	10
Ondersteunde video bestandsformaten voor de USB-modus .....	11
Ondersteunde fotobestandsformaten voor de USB- modus .....	11
Ondersteunde geluidsbestandsformaten voor de USB-modus .....	12
Ondersteunde ondertiteling bestandsformaten voor de USB-modus .....	13

## Belangrijk

'U moet alle informatie in de bijgaande veiligheidsinstructies lezen en begrijpen voor u uw tv installeert en in gebruik neemt. Als er schade wordt veroorzaakt door nalatigheid in de naleving van deze instructies is deze garantie niet van toepassing.'

### Verwijdering van oude apparaten en batterijen

U mag deze televisie of batterijen niet weggooien als algemeen huishoudelijk afval. Als u het product of de batterij wilt wegruimen, moet u de ophaalsystemen of faciliteiten overwegen voor een correcte recyclage.

**Opgelet:** Het Pb-symbool onder het symbool voor de batterijen geeft aan dat deze batterij lood bevat.



**Producten**



**Batterij**



### Teletekst

Druk op de knop **Text** om de teletekstinformatie weer te geven. Druk opnieuw om de mix-modus te activeren die u de mogelijkheid biedt de teletekstpagina en de tv-uitzending gelijktijdig weer te geven. Druk opnieuw om af te sluiten. Indien beschikbaar worden delen in een teletekstpagina kleurgecodeerd en deze kunnen, door op de gekleurde toetsen te drukken, geselecteerd worden. Gebruik de navigatie of de **Zender +/-** toetsen om te bladeren op de pagina's. De bedieningsmethode kan verschillen afhankelijk van de inhoud van de teletekst. Volg de instructies op het scherm.

1. **Stand-by:** Schakelt de TV Aan/Uit
2. **Tekst:** Geeft de teletekst weer (indien beschikbaar). Druk opnieuw om de teletekst over een normale uitzending te plaatsen (mix)
3. **Stoppen:** Stopt de afgespeelde media
4. **Scherf:** Wijzigt de beeldverhouding van het scherm
5. **Bron:** Geeft alle beschikbare uitzending en inhoudsbronnen weer
6. **Menu:** Geeft het Tv-menu weer
7. **Wisselen:** Schakelt snel tussen de vorige en huidige zenders of bronnen

Als de **Hotelmodus Ingeschakeld** is, kunt u op deze knop drukken en schakelen tussen de Netwerk zendertypes DVB-T & Analoo, DVB-kabel & Analoo en DVB-Satelliet & Analoo

8. **Navigatietoetsen:** Helpt te navigeren in menu's, inhoud, etc. en geeft de subpagina's weer in TXT-modus indien links of rechts ingedrukt
9. Programma omhoog / Pagina omhoog (in DTV-modus)
10. **Volume -**
11. **Groene toets:** Volg de instructies op het scherm voor de functies van de gekleurde knop
12. **Rode toets:** Volg de instructies op het scherm voor de functies van de gekleurde knop
13. **Numerieke toetsen:** Schakelt tussen zenders, voert een nummer of een letter in het tekst vak op het scherm.
14. **Ondertitels:** Schakelt de ondertiteling in en uit (indien beschikbaar)
15. **Taal:** Schakelt tussen de geluidsmodi (analoge TV), geeft de taal van de audio/ondertiteling (waar beschikbaar, digitale TV)
16. **Blaue toets:** Volg de instructies op het scherm voor de functies van de gekleurde knop
17. **Gele toets:** Volg de instructies op het scherm voor de functies van de gekleurde knop
18. **Volume +**
19. **Geluid dempen:** Schakelt het volume van de TV volledig uit
20. **Programma omhoog / Pagina omhoog** (in DTV-modus)
21. **Terugkeren/Terug:** Keert terug naar het vorige scherm, opent de inhoudstafel (in TXT modus)
22. **OK:** Bevestigt gebruikerselecties, houdt de pagina (in TXT-modus). Geeft de zenderlijst weer
23. **Informatie:** Geeft informatie weer over de inhoud op het scherm, geeft verborgen informatie weer (openbaar maken - in TXT modus)
24. **Afspelen:** Begint de geselecteerde media af te spelen
25. **Pauze:** Pauzeert de afgespeelde media
26. **Slapen:** Stelt uw tv in om automatisch af te sluiten
27. **EPG (Elektronische Programmagids):** Geeft de elektronische programmagids weer

**Opmerking:** Het bereik van de afstandsbediening is ongeveer 7m/ 23ft.

## Berichten, functies en accessoires

### Energie efficiëntie

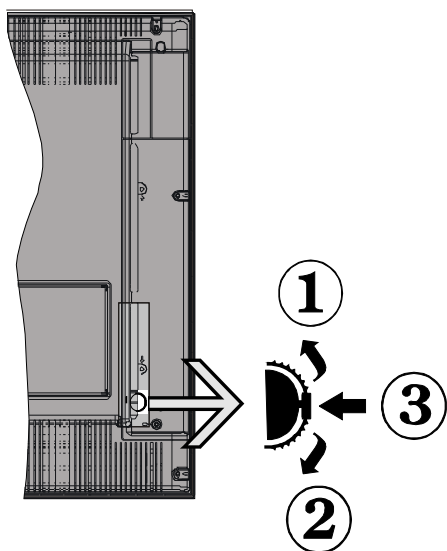
Deze tv is ontworpen met energie efficiënte functies:

- **Energiebesparing:** U kunt een combinatie van energie besparende beeldinstellingen toepassen. Terwijl u tv bekijkt, drukt u op de knop **Menu** en de **Energiebesparing** instellingen verschijnen in de **Beeld** sectie van het Hoofdmenu.
- **Beeld uit modus:** Als u enkel wilt luisteren naar de audio van de tv kunt u het scherm uitschakelen. De andere functies blijven normaal werken. Terwijl u tv bekijkt, drukt u op de knop **Menu** en selecteert u **Beeld**. Selecteer daarna de optie **Energiebesparen**. Druk op de rechtse knop terwijl de optie **Auto** geselecteerd is of de linkse knop als de optie **Aangepast** geselecteerd is. Een bericht zal op het scherm worden weergegeven. Selecteer **Doorgaan** en druk op **OK** om het scherm uit te schakelen. Als u geen knop indrukt, schakelt het scherm uit na 15 seconden. Druk op een knop op de afstandsbediening of op de tv om het scherm opnieuw in te schakelen.

**Opmerking:** Scherm uit optie is niet beschikbaar als de Modus ingesteld is op **Spel**. Verwijder de stekker van uw tv uit het stopcontact als u niet van plan bent uw tv te gebruiken gedurende een langere periode.

### Tv bladeren knop

De Tv bladeren knop aan de zijkant van de tv bieden u de mogelijkheid het volume te bedienen, zenders te wijzigen en de tv in stand-by te schakelen.



**Volume wijzigen:** Verhoog het volume door omhoog te scrollen. Verlaag het volume door omlaag te scrollen.

### Zenders wijzigen:

- Druk in het midden van de bladernop en het kanaal informatievaandel verschijnt op het scherm.
- Blader doorheen de opgeslagen zenders door de knop omhoog of omlaag te drukken.

### De bron wijzigen:

- Druk in het midden van de knop (voor de tweede maal in totaal) en de bronlijst verschijnt
- Blader doorheen de beschikbare bronnen door de knop omhoog of omlaag te drukken.

**Om de TV over te schakelen op stand-by:** Druk de middelste knop in en houd hem ingedrukt gedurende een aantal seconden. De TV schakelt over op de stand-by modus.

**De tv inschakelen vanuit stand-bymodus:** Druk in het midden van de knop en de televisie schakelt in.

### Opmerkingen:

*Als u de tv uitschakelt, start deze cirkel opnieuw met de volume-instelling.*

*Het hoofdscherm OSD kan niet weergegeven worden met de bedieningsknop.*

### In-/uitschakelen

#### Om de TV in te schakelen

Om de tv in te schakelen vanuit de stand-bymodus kunt u:

- Druk op de knop **Stand-by, Zender +/-** of op één van de numerieke knoppen op de afstandsbediening.
- Druk in het midden van de functieschakelaar aan de zijkant van de televisie.

**Opmerking:** Als de tv ingeschakeld is gebleven en gedurende een poosje niet heeft gewerkt, schakelt de tv over op stand-by. Wanneer u de tv de volgende maal inschakelt, verschijnt het volgende bericht: "**Stand-by oorzaak geen bewerking**", Druk op **OK** om door te gaan.

#### Om de TV uit te schakelen

- Druk op de **Stand-by** toets van de afstandsbediening of druk in het midden van de functietoets op de zijkant van de TV en houd hem een aantal seconden ingedrukt om de TV in te schakelen vanuit stand-by modus.

**Opmerking:** Om de tv volledig uit te schakelen, trekt u de stekker van de tv uit het stopcontact.

### Eerste installatie

Het taal selectiescherm verschijnt de eerste maal u uw tv inschakelt. Selecteer de gewenste taal en druk op OK.

**Opmerking:** Als er een USB-apparaat aangesloten is met de tv kunt u op de **GROENE** knop drukken op de afstandsbediening voor u doorgaat om de NVRAM-gegevens (service lijst, voorkeuren, etc.) te laden van het USB-apparaat die wordt geladen van een andere Philips Hotel TV. Raadpleeg de secties "**Kopiëren naar USB**" en "**Kopiëren van USB**" in de **Hotelmodus** titel op de pagina's aan het einde van deze handleiding.

*Als het correcte software update bestand vooraf geïnstalleerd wordt in het USB-apparaat kunt u de RODE knop indrukken op de afstandsbediening om door te gaan om de software van uw tv bij te werken. Het software update*

bestand moet de naam "VES162HE\_upgrade.bin" or "Philips\_upgrade\_mb110.bin" krijgen.

De software upgrade via een USB-apparaat kan op ieder moment worden uitgevoerd door de verborgen sleutelcombinatie "Menu-1-5-0-5" te gebruiken.

**In het volgende scherm, stel uw voorkeuren in met de navigatieknoppen en klik daarna op OK** om door te gaan.

U kunt uw tv instellen door het Eerste installatie (EI) scherm te volgen met de volgende secties.

### **Digitale aardse installatie:**

Als de zoekoptie **Digitaal Antenne**-uitzending ingeschakeld is, zal de tv op zoek gaan naar digitale aardse uitzendingen nadat andere initiële instellingen zijn uitgevoerd.

### **Digitale kabel installatie:**

Als de **Digitale kabeluitzending** zoekoptie ingeschakeld is, zoekt de televisie digitale kabeluitzendingen nadat de andere initiële instellingen voltooid zijn. In overeenstemming met uw andere voorkeuren, wordt een bevestigingsbericht weergegeven voor een zoekopdracht start. Voor de automatische installatie indien uw kabelnetwerk leverancier een netwerk-ID gebaseerde installatie ondersteunt (bijv. Unitymedia), selecteert u **Ja** en drukt u op **OK**.

Indien uw kabelnetwerk leverancier geen netwerk-ID gebaseerde installatie ondersteunt, selecteert u "Nee", druk op **OK** en volg de instructie op het scherm.

In dit scherm kunt u ook een frequentiebereik selecteren. Voer het frequentiebereik manueel in met de numerieke knoppen.

**Opmerking:** De duur van de zoekopdracht hangt af van de geselecteerde **Zoekstap**.

### **Analoge installatie**

Als de zoekoptie analoge uitzending ingeschakeld is, zal de tv op zoek gaan naar analoge kabeluitzendingen nadat andere initiële instellingen zijn uitgevoerd.

U kunt ook een uitzendingstype instellen als uw favoriet. De prioriteit wordt gegeven aan het geselecteerde type uitzending tijdens het zoekproces en de zenders worden gerangschikt bovenin de **zenderlijst**. Aan het einde, druk op **OK** om door te gaan.

Het **Thuismodus / Winkelmodus** selectiescherm verschijnt. Het wordt aanbevolen de **Thuismodus** te selecteren voor thuisgebruik.

Nadat de initiële instellingen werden uitgevoerd, zal de tv op zoek gaan naar beschikbare uitzendingen van de geselecteerde uitzendingstypes.

Tijdens de zoekopdracht verschijnt een bericht met de vraag of u de zenders wilt sorteren in overeenstemming met de LCN (\*). Selecteer **Ja** en druk op **OK** om te bevestigen.

(\* LCN is het logisch kanaalnummer systeem dat de beschikbare uitzendingen organiseert in overeenstemming met een herkenbare zendersequentie (indien beschikbaar).

Nadat alle kanalen zijn opgeslagen, verschijnen de scanresultaten op het scherm. Druk op **OK** om door te gaan. De **Zender Bewerken Lijst** wordt hierna getoond. Druk op de Menu-knop om de Zenderlijst bewerken te verlaten en tv te kijken.

**Opmerking:** Schakel de Tv niet uit zonder de Eerste installatie gestart te hebben. (\*) Sommige opties zijn mogelijk niet beschikbaar afhankelijk van de landselectie.

### **Mediabestanden afspelen van een usb-drive**

U kunt foto's, muziek en filmbestanden afspelen die opgeslagen zijn op een USB-schijf door ze aan te sluiten op uw tv. Sluit een USB-schijf aan op een van de USB-ingangen op de achterzijde van de tv. Het usb-apparaat wordt automatisch herkend door de televisie en het menu **Mediabrowser** verschijnt. U hebt ook toegang tot het menu **Mediabrowser** via het hoofdmenu van de televisie. Druk op de knop **Menu**, selecteer **Mediabrowser** in de lijst en druk op **OK** voor toegang.

Nadat u een gewenst mediatype hebt geselecteerd in het menu Mediabrowser krijgt u toegang tot de menu-opties **Beeld**, **Geluid** en **Instellingen** door de knop **Menu** in te drukken. Druk opnieuw op de knop **Menu** om dit scherm af te sluiten. U kunt uw **Mediabrowser** voorkeuren instellen met het Instellingen menu.

Om de **Automatisch afspelen** functie in te schakelen, markeert u deze optie in het menu **Instellingen** en stelt u het in al **Ingeschakeld** met de navigatieknoppen. Als deze functie ingeschakeld is, detecteert de televisie verbonden usb-apparaten en zoekt bestanden.

Fotobestanden worden eerst gezocht. Als er geen fotobestanden gevonden worden, zoekt het programma videobestanden. Als er geen videobestanden gevonden worden, zoekt het programma geluidsbestanden.


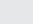



Nadat u een bestand gevonden hebt dat u wilt afspelen, wordt het formaat van dit bestand geselecteerd als een constante keuze en elk bestand in dit formaat wordt in een oneindige lus afgespeeld. Als u de afstandsbediening gebruikt om af te sluiten, etc. wordt de weergave van het (de) bestand(en) onderbroken en de afspeellus wordt gestopt.

Als de televisie geen mediabestanden kan vinden, verschijnt het menu hoofdmediabrowser op het scherm. Stel de **Weergavestijl** in op **Vlak** om alle bestanden te zoeken in de onderliggende mappen in het usb-apparaat.

**Opmerking:** Als de TV in de stand-by modus staat, is deze functie niet beschikbaar.

**BELANGRIJK!** Maak een back-up van uw bestanden voor u uw apparaat aansluit op de TV. De fabrikant is niet aansprakelijk is voor eventuele schade aan bestanden of gegevensverlies. Sommige types USB-apparaten, (bv. MP3-spelers) of USB-harde schijven/geheugensticks zijn mogelijk niet compatibel met deze tv.

### Mediabrowser menu

<i>Lus/Willekeurige Weergave Bediening</i>	
Start de weergave met de knop <b>Weergave</b> en schakel in 	Alle bestanden in de lijst worden doorlopend afgespeeld in de originele volgorde
Start de weergave met de knop <b>OK</b> en schakel in 	Hetzelfde bestand wordt doorlopend afgespeeld (herhalen)
Start de weergave met de knop <b>Weergave</b> en schakel in 	Alle bestanden in de lijst worden een maal afgespeeld in willekeurige volgorde
Start de weergave met de knop <b>Weergave</b> en schakel in  	Alle bestanden in de lijst worden doorlopend afgespeeld in dezelfde willekeurige volgorde

### CEC

Deze functie biedt de mogelijkheid de CEC-ingeschakelde apparaten die verbonden zijn via HDMI-poorten te bedienen met de afstandsbediening van de tv.

De **CEC**-optie in het menu **Instellingen>Meer** moet aanvankelijk **ingeschakeld** zijn. Druk op de knop **Bron** en selecteer de HDMI-ingang van het verbonden CEC-apparaat in het menu **Bronnenlijst**. Wanneer een nieuw CEC-bronapparaat wordt aangesloten, verschijnt het in de lijst in het bronmenu met haar eigen naam in de plaats van de naam van de aangesloten HDMI-poorten (Dvd-speler, Recorder 1 etc.).

De afstandsbediening van de tv kan automatisch de hoofdfuncties uitvoeren nadat de aangesloten HDMI-bron werd geselecteerd.

Om deze bewerking te beëindigen en de tv opnieuw te bedienen via de afstandsbediening drukt u gedurende 3 seconden op de knop "0-nul" van de afstandsbediening. Deze functie kan ook worden in- of uitgeschakeld in het menu **Instellingen>Meer**.

De tv ondersteunt ook de ARC (Audio Return Channel) functie. Deze functie is een audio-link met als doel andere kabels tussen de tv en het geluidssysteem te vervangen (A/V ontvanger of luidsprekersysteem).

Wanneer ARC actief is, dempt de tv haar andere geluidsuitgangen niet automatisch. U moet het volume van de tv dus handmatig doen dalen tot nul als u enkel geluid wenst te horen via het aangesloten geluidsapparaat (net als andere optische of coaxiale digitale geluidsuitgangen). Als u volumenniveau van het aangesloten apparaat wilt wijzigen, moet u dat apparaat selecteren in de bronlijst. In dat geval worden

de volume bedieningstoetsen naar het aangesloten geluidsapparaat gericht.

**Opmerking:** ARC wordt alleen ondersteund via de HDMI1-ingang.

### Systeem geluidscontrole

Biedt de mogelijkheid een Geluidsversterker/Ontvanger te gebruiken met de tv. Het volume kan worden aangepast met de afstandsbediening van de tv. Om deze functie in te schakelen, moet u de optie **Luidsprekers** in het menu **Instellingen>Meer** instellen als **Versterker**. De geluid van de tv-luidsprekers wordt gedempt en het geluid van de weergegeven bron wordt geleverd via het aangesloten geluidssysteem.

**Opmerking:** Het geluidsapparaat moet de System Audio Control functie ondersteunen en de **CEC** optie moet ingesteld worden als **Ingeschakeld**.

### Tv-instellingen wijzigen

Voor toegang tot de onderstaande opties;

- 1- Druk op de **Menu** toets
- 2- Markeer uw selectie
- 3- Druk op **OK** om te bevestigen

### Weergave opties

**Modus:** Wijzigt de beeldmodus in een van de volgende: **Cinema**, **Spel(\*)**, **Sport**, **Dynamisch** en **Natuurlijk**.

(\*) De **Spelmodus** optie is mogelijk niet beschikbaar afhankelijk van de landselectie.

**Contrast:** Om het contrast tussen donker en licht van het scherm in te stellen.

**Helderheid:** Om de helderheid van het scherm in te stellen.

**Scherpte:** Stelt de scherpte waarde in. Een hoge scherpte kan resulteren in een duidelijker, scherper beeld afhankelijk van de inhoud.

**Kleur:** Stelt de kleurwaarde in.

**Achtergrond verlichting:** Regelt de helderheid van de achtergrondverlichting. De achtergrondverlichting zal inactief zijn wanneer **Energiebesparing** is ingesteld op een andere optie dan **Aangepast**.

### Geluidsopties

**Volume** Past het volumenniveau aan.

**Equalizer:** Wijzigt de equalizer modus.

**Balans:** Regelt of het geluid uit de rechtse of linkse luidspreker komt.

**Hoofdtelefoon:** Stelt het geluidsvolume van de hoofdtelefoon in. Deze optie wordt uitgeschakeld als de optie **Hoofdtelefoon/Lijn-uit** ingesteld is op **Lijn-uit**.

**Geluidsmodus:** Stelt de gewenste geluidsmodus in.

**AVL:** Stelt een limiet in op het maximum volume.

**Hoofdtelefoon/lijn-uit:** Deze optie is ingesteld op **Hoofdtelefoon** als u een hoofdtelefoon hebt of **Lijn-uit** als u een externe versterker hebt die aangesloten is op de hoofdtelefoon aansluiting.

**Dynamische lage tonen:** Schakelt de Dynamische lage tonen in of uit. Verhoogt het lage tonen bereik.

**Surround geluid:** De Surround sound modus kan In of Uit worden geschakeld.

**Digitale uitgang:** Om het type van digitale audio uitgang in te stellen.

### Configureert de instellingen van ouderlijk toezicht

Deze functie dient om de toegang tot bepaalde inhoud te beperken. Ze wordt beheerd via een pin-nummer dat u zelf bepaalt. Deze instellingen staan onder **Instellingen > Ouderlijk** menu.

**Opmerking:** Het standaard PIN-nummer kan worden ingesteld op **0000** of **1234**. Als u het PIN-nummer hebt gedefinieerd (gevraagd naargelang de landselectie) tijdens de **Eerste Installatie** kunt u het PIN-nummer gebruiken dat u gedefinieerd hebt.

*Sommige opties zijn mogelijk niet beschikbaar afhankelijk van de landselectie in de eerste installatie.*

**Menuvergrendeling:** Deze functie vergrendelt of ontgrendeld de toegang tot het menu.

**Maturiteitsvergrendeling (optioneel):** Als deze optie ingesteld is, ontvangt de tv de maturiteitsinformatie van de uitzending en als deze maturiteitsvergrendeling uitgeschakeld is, wordt de toegang tot de uitzending uitgeschakeld.

**Kinderslot (optioneel):** Als het kinderslot is ingesteld, kan de TV enkel worden bediend met de afstandsbediening. In dat geval werken de toetsen van het configuratiepaneel niet.

**Begeleiding (optioneel):** Deze instelling biedt de mogelijkheid de toegang in of uit te schakelen van de MHEG toepassingen. Uitgeschakelde toepassingen kunnen worden vrijgegeven door de correcte PIN-code in te voeren.

**PIN instellen:** Om een nieuw pin-nummer vast te leggen.

**Standaard CICAM-pin:** Deze optie wordt grijs weergegeven als geen CI-module ingebracht is in de CI-kaartsleuf van de tv. U kunt de standaard pin van de CICAM wijzigen met deze optie.

### Elektronische programmagids (EPG)

Sommige zenders verzenden informatie over hun uitzendingsschema's. Druk op de **EZG** toets om het EZG menu weer te geven.

Er zijn 3 verschillende lay-outschema's beschikbaar, **Tijdslijnschema**, **Lijst schema** en **Nu/Volgende schema**. Om tussen de schema's te wisselen, volg de instructie onder aan het scherm.

### Tijdslijnschema

**Zoom (Gele knop):** Druk op de Gele knop om gebeurtenissen in een bredere tijdsinterval weer te geven.

**Filter (Blauwe toets):** Geeft filteropties weer.

**Selecteer genre (ondertitels optie):** Geeft **Selecteer Genre** menu weer. Gebruik deze functie om de zendergids databank te doorzoeken in overeenstemming met het genre. De beschikbare informatie in de programmagids wordt doorzocht en de resultaten die overeenstemmen met uw criteria worden gemarkeerd.

**Opties (OK toets):** Geeft gebeurtenis opties weer.

**Gebeurtenissen details (Infoknop):** Geeft gedetailleerde informatie weer over de geselecteerde gebeurtenissen.

**Volgende/Vorige dag (Programma +/- toetsen):** Geeft de gebeurtenissen weer van de volgende dag.

**Zoeken (Tekstknop):** Geeft het menu Gids zoeken weer.

**Nu (Wisseltoets):** Geeft de huidige gebeurtenis weer van het gemarkeerde kanaal.

### Lijst schema (\*)

(\*) In deze lay-out optie, worden alleen de gebeurtenissen van de gemarkeerde zender getoond.

**Vorig. Tijdschijf (Rode knop):** Geeft de gebeurtenissen weer van de vorige tijdschijf.

**Volgende/Vorige dag (Programma +/- toetsen):** Geeft de gebeurtenissen weer van de volgende dag.

**Gebeurtenissen details (Infoknop):** Geeft gedetailleerde informatie weer over de geselecteerde gebeurtenissen.

**Filter (Tekstknop):** Geeft filteropties weer.

**Volgende tijdschijf (Groene knop):** Geeft de gebeurtenissen weer van de volgende tijdschijf.

**Opties (OK toets):** Geeft gebeurtenis opties weer.

### Nu/Volgende schema

**Navigeren (Navigatietoetsen):** Druk op de **Navigatietoetsen** om door de zenders en programma's te navigeren.

**Opties (OK toets):** Geeft gebeurtenis opties weer.

**Gebeurtenissen details (Infoknop):** Geeft gedetailleerde informatie weer over de geselecteerde gebeurtenissen.

**Filter (Blauwe toets):** Geeft filteropties weer.

### Gebeurtenisopties

In het EPG-menu drukt u op de **OK** toets om naar het menu **Gebeurtenis opties** te gaan.

**Kanaal selecteren:** In het EPG-menu kunt u met deze optie overschakelen naar de geselecteerde zender.

**Timer ingeschakeld gebeurtenis / Timer op gebeurtenis verwijderen:** Nadat u een gebeurtenis hebt geselecteerd in het EPG menu drukt u op de **OK** knop. **Selecteer de Timer** instellen op gebeur-



tenis optie en druk op de **OK toets**. U kunt een timer instellen voor gebeurtenissen in de toekomst. Om een reeds ingestelde timer te annuleren, markeert u die gebeurtenis en u drukt op de **OK toets**. Selecteer daarna **Timer** op gebeurtenis verwijderen optie. De timer wordt geannuleerd.

### Uw tv bijwerken

Blader in uw hoofdmenu, selecteer **Instellingen>Meer** en de versie van de huidige software verschijnt.

**OPGELET:** U mag geen lagere versie van de software installeren dan de huidige versie geïnstalleerd op uw product. TP Vision kan niet aansprakelijk worden gesteld noch verantwoordelijk gesteld voor problemen die worden veroorzaakt door een software downgrade.

### Bijwerken met usb

Voor u de software bijwerkt, moet u controleren of u de volgende elementen hebt:

- Een usb opslagapparaat met minimum 256 MB opslagruimte, in FAT32 of DOS formaat met de schrijfbescherming uitgeschakeld is.
- Toegang tot een computer met een usb connector en Internettoegang.

Ga naar [www.philips.com/support](http://www.philips.com/support), en volg de software update instructies.

### Automatische update van digitale uitzending

Wanneer de tv aangesloten is op een antennesignaal. Als **Automatisch scannen** is ingeschakeld in het **Upgrade opties** menu schakelt de TV in om 03:00 en zoekt zenders voor een nieuwe software upgrade. Indien nieuwe software wordt gevonden en gedownload, opent de TV de volgende maal met de nieuwe software versie. Om het menu **Upgrade-opties** te openen, gaat u naar het menu **Instellingen>Meer**. Markeer **Software upgrade** en druk op de knop **OK**.

**Opmerking:** Verwijder het netsnoer niet wanneer de led-lamp knippert tijdens het herstarten van de computer. Als de tv niet inschakelt na de upgrade moet u de stekker van de tv 2 minuten uit het stopcontact verwijderen en opnieuw invoeren.

### Probleemoplossen & tips

#### De tv schakelt niet in

Zorg ervoor dat het netsnoer stevig in het stopcontact is gevoerd. Controleer of de batterijen leeg zijn. Druk op de powerknop van de Tv.

#### Zwakke beeldkwaliteit

- Hebt u het verkeerde tv-systeem geselecteerd.
- Een laag signaalniveau kan een beeldvervalsing veroorzaken. Controleer de antennetoegang.
- Controleer of u de correcte kanaalfrequentie hebt ingevoerd als u een handmatige afstemming hebt uitgevoerd.

- De beeldkwaliteit kan verminderen wanneer twee randapparaten gelijktijdig aangesloten zijn op de tv. In dat geval kunt u een van beide apparaten loskoppelen.

#### Geen beeld

- Geen beeld betekent dat uw TV geen uitzending ontvangt. Zorg er ook voor dat de correcte invoerbron geselecteerd werd.
- Is de antenne correct aangesloten?
- Is de antennekabel beschadigd?
- Werden de correcte stekkers gebruikt voor de aansluiting van de antenne?
- Indien u twijfelt, neemt u contact op met de verdeler.

#### Geen geluid

- Controleer of het geluid van de tv gedempt is. Druk op de Geluid dempen knop of verhoog het volume om te controleren.
- Het geluid komt slechts uit een van de luidsprekers. Controleer de balansinstellingen in het **Geluid** menu.

#### Afstandsbediening - geen werking

- Het is mogelijk dat de batterijen leeg zijn. Batterijen vervangen.

#### Invoerbronnen – kunnen niet worden geselecteerd

- Indien u geen invoerbronnen kunt selecteren, is het mogelijk dat het toestel niet is aangesloten. Zo niet:
- Controleer de AV-kabels en verbindingen als u de ingangsbron voor het aangewezen toestel probeert over te schakelen.

## Specificaties

<b>TV-Uitzending</b>	PAL BG/DK/II' SECAM BG/DK			
<b>Kanalen ontvangen</b>	VHF (BAND I/III) - UHF (BAND U) - HYPERBAND			
<b>Digitale ontvangst</b>	Volledig geïntegreerde digitale/kabel-TV/(DVB-T-C) (DVB-T2 conform)			
<b>Aantal instelbare kanalen</b>	1.000			
<b>Kanaalindicator</b>	Weergave op het scherm			
<b>RF Antenne-Input</b>	75 Ohm (niet gebalanceerd)			
<b>Werkingsspanning</b>	220-240V AC, 50Hz.			
<b>Geluid</b>	Duits+Nicam Stereo			
<b>Beeldscherm</b>	24"	32"	43"	49"
<b>Geluidsuitgang stroom (WRMS.) (10% THD)</b>	2x2,5W	2x6W	2x8W	2x8W
<b>Stroomverbruik (W)</b>	45W	65W	75W	75W
<b>Gewicht (kg)</b>	3,45 kg	5,60 kg	9,30 kg	11,35 kg
<b>TV afmetingen BxLxH (met voet) (mm)</b>	134x554x370 mm	185x735x478 mm	220x974x615 mm	220x1112x692 mm
<b>TV afmetingen BxLxH (zonder voet) (mm)</b>	35(min)/61(max)x554x339mm	77(min)/89(max)x735x438mm	64(min)/93(max)x974x572mm	60(min)/91(max)x1112x653mm
<b>Operationele temperatuur en operationele vochtigheid:</b>	0°C up to 40°C, 85% humidity max			

## PC-invoer normale weergavemodi

Onderstaande tabel is een illustratie van een aantal van de normale video schermmodi.

Inhoudsopgave	Resolutie	Interval
1	640x350	85Hz
2	640x400	70Hz
3	640x480	60Hz
4	640x480	66Hz
5	640x480	72Hz
6	640x480	75Hz
7	640x480	85Hz
8	800x600	56Hz
9	800x600	60Hz
10	800x600	70Hz
11	800x600	72Hz
12	800x600	75Hz
13	800x600	85Hz
14	832x624	75Hz
15	1024x768	60Hz
16	1024x768	66Hz
17	1024x768	70Hz
18	1024x768	72Hz
19	1024x768	75Hz
20	1024x768	85Hz
21	1152x864	60Hz
22	1152x864	70Hz
23	1152x864	75Hz
24	1152x864	85Hz
25	1152x870	75Hz
26	1280x768	60Hz
27	1360x768	60Hz
28	1280x768	75Hz
29	1280x768	85Hz
30	1280x960	60Hz
31	1280x960	75Hz
32	1280x960	85Hz
33	1280x1024	60Hz
34	1280x1024	75Hz
35	1280x1024	85Hz
36	1400x1050	60Hz
37	1400x1050	75Hz
38	1400x1050	85Hz
39	1440x900	60Hz
40	1440x900	75Hz
41	1600x1200	60Hz
42	1680x1050	60Hz
43	1920x1080	60Hz
44	1920x1200	60Hz

## AV en HDMI-signaal compatibiliteit

Bron	Ondersteunde signalen	Beschikbaar	
EXT (SCART)	PAL	O	
	SECAM	O	
	NTSC4.43	O	
	NTSC3.58	O	
Zijde AV	RGB 50/60	O	
	PAL	O	
	SECAM	O	
	NTSC4.43	O	
PC/YPbPr	NTSC3.58	O	
	480i, 480p	60Hz	O
	576i, 576p	50Hz	O
	720p	50Hz,60Hz	O
HDMI	1080i	50Hz,60Hz	O
	480i, 480p	60Hz	O
	576i, 576p	50Hz	O
	720p	50Hz,60Hz	O
	1080i	50Hz,60Hz	O
	1080p	24Hz, 25Hz, 30Hz, 50Hz, 60Hz	O

## Ondersteunde video bestandsformaten voor de USB-modus

Extensie	Video Codec	SPEC (Resolutie) & Bit Rate
.dat, vob	MPEG1/2	1080P@30fps - 40 Mbps
.mpg, .mpeg	MPEG1/2, MPEG4	
.ts, .trp, .tp	MPEG1/2, H.264, AVS, MVC	<b>H.264:</b> 1080Px2@30fps - 62.5 Mbps, 1080P@60fps - 62.5 Mbps <b>MVC:</b> 1080P@30fps - 62.5 Mbps <b>Overige:</b> 1080P@30fps - 40Mbps
.mp4, .mov, .3gpp, .3gp	MPEG1/2, MPEG4, H.263, H.264, Motion JPEG	<b>H.264:</b> 1080Px2@30fps - 62.5 Mbps, 1080P@60fps - 62.5 Mbps <b>Motion JPEG:</b> 640x480@30fps - 10 Mbps <b>Overige:</b> 1080P@30fps - 40 Mbps
.avi	MPEG1/2, MPEG4, Sorenson H.263, H.263, H.264, WMV3, Motion JPEG	
.mkv	MPEG1/2, MPEG4, H.263, H.264, WMV3, Motion JPEG	
.asf	Sorenson H.263, H.264, WMV3, Motion JPEG	
.flv	WMV3	1080P@30fps - 40 Mbps
.swf	RV30, RV40	1080P@30fps - 40 Mbps
.wmv		
.mp4, .mov, .3gpp, .3gp, MPEG transport stream, .ts, .trp, .tp, .mkv	HEVC/H.265	1080P@60fps - 50Mbps

## Ondersteunde fotobestandsformaten voor de USB-modus

Afbeelding	Foto	Resolutie (breedte x hoogte)	Opmerkingen
JPEG:	Basislijn	15360x8640	De limiet voor max resolutie hangt af van de DRAM afmeting
	Progressief	1024x768	
PNG	non-interlace	9600x6400	
	interlaced	1200x800	
BMP		9600x6400	

## Ondersteunde geluidsbestandsformaten voor de USB-modus

Extensie	Audio codec	Bitsnelheid	Sample rate
.mp3,	MPEG1/2 Layer1	32Kbps ~ 448Kbps	16KHz ~ 48KHz
	MPEG1/2 Layer2	8Kbps ~ 384Kbps	
	MPEG1/2 Layer3	8Kbps ~ 320Kbps	
.avi	MPEG1/2 Layer1	32Kbps ~ 448Kbps	16KHz ~ 48KHz
	MPEG1/2 Layer2	8Kbps ~ 384Kbps	
	MPEG1/2 Layer3	8Kbps ~ 320Kbps	
	AC3	32Kbps ~ 640Kbps	32KHz, 44,1KHz, 48KHz
	AAC, HEAAC		8KHz ~ 48KHz
	WMA	128bps ~ 320Kbps	8KHz ~ 48KHz
	WMA 10 Pro M0	< 192kbps	48KHz
	WMA 10 Pro M1	< 384kbps	48KHz
	WMA 10 Pro M2	< 768kbps	96KHz
	LPCM	64Kbps ~ 1.5Mbps	8KHz ~ 48KHz
	IMA-ADPCM, MS-ADPCM	384Kbps	8KHz ~ 48KHz
G711 A/mu-law	64Kbps ~ 128Kbps	8KHz	
.asf	MPEG1/2 Layer1	32Kbps ~ 448Kbps	16KHz ~ 48KHz
	MPEG1/2 Layer2	8Kbps ~ 384Kbps	
	MPEG1/2 Layer3	8Kbps ~ 320Kbps	
	WMA	128bps ~ 320Kbps	8KHz ~ 48KHz
	WMA 10 Pro M0	< 192kbps	48KHz
	WMA 10 Pro M1	< 384kbps	48KHz
	WMA 10 Pro M2	< 768kbps	96KHz
.mkv, .mka	MPEG1/2 Layer1	32Kbps ~ 448Kbps	16KHz ~ 48KHz
	MPEG1/2 Layer2	8Kbps ~ 384Kbps	
	MPEG1/2 Layer3	8Kbps ~ 320Kbps	
	AC3	32Kbps ~ 640Kbps	32KHz, 44,1KHz, 48KHz
	AAC, HEAAC		8KHz ~ 48KHz
	WMA	128bps ~ 320Kbps	8KHz ~ 48KHz
	WMA 10 Pro M0	< 192kbps	48KHz
	WMA 10 Pro M1	< 384kbps	48KHz
	WMA 10 Pro M2	< 768kbps	96KHz
	VORBIS		Tot 48KHz
	LPCM	64Kbps ~ 1.5Mbps	8KHz ~ 48KHz
	IMA-ADPCM, MS-ADPCM	384Kbps	8KHz ~ 48KHz
	G711 A/mu-law	64Kbps ~ 128Kbps	8KHz
	FLAC	< 1.6Mbps	8KHz ~ 96KHz
.ts, .trp, .tp, .dat, .vob, .mpg, .mpeg	MPEG1/2 Layer1	32Kbps ~ 448Kbps	16KHz ~ 48KHz
	MPEG1/2 Layer2	8Kbps ~ 384Kbps	
	MPEG1/2 Layer3	8Kbps ~ 320Kbps	
	AC3	32Kbps ~ 640Kbps	32KHz, 44,1KHz, 48KHz
	EAC3	32Kbps ~ 6Mbps	32KHz, 44,1KHz, 48KHz
	AAC, HEAAC		8KHz ~ 48KHz
	LPCM	64Kbps ~ 1.5Mbps	8KHz ~ 48KHz

Extensie	Audio codec	Bitsnelheid	Sample rate
.wav	MPEG1/2 Layer1	32Kbps ~ 448Kbps	16KHz ~ 48KHz
	MPEG1/2 Layer2	8Kbps ~ 384Kbps	
	MPEG1/2 Layer3	8Kbps ~ 320Kbps	
	LPCM	64Kbps ~ 1.5Mbps	8KHz ~ 48KHz
	IMA-ADPCM, MS-ADPCM	384Kbps	8KHz ~ 48KHz
	G711 A/mu-law	64Kbps ~ 128Kbps	8KHz
.3gpp, .3gp, .mp4, .mov, .m4a	MPEG1/2 Layer3	8Kbps ~ 320Kbps	16KHz ~ 48KHz
	AC3	32Kbps ~ 640Kbps	32KHz, 44,1KHz, 48KHz
	EAC3	32Kbps ~ 6Mbps	32KHz, 44,1KHz, 48KHz
	AAC, HEAAC		8KHz ~ 48KHz
	VORBIS		Tot 48KHz
	LPCM	64Kbps ~ 1.5Mbps	8KHz ~ 48KHz
	IMA-ADPCM, MS-ADPCM	384Kbps	8KHz ~ 48KHz
	G711 A/mu-law	64Kbps ~ 128Kbps	8KHz
.flv	MPEG1/2 Layer3	8Kbps ~ 320Kbps	16KHz ~ 48KHz
	AAC, HEAAC		8KHz ~ 48KHz
.ac3	AC3	32Kbps ~ 640Kbps	32KHz, 44,1KHz, 48KHz
	AAC, HEAAC		8KHz ~ 48KHz
.swf	MPEG1/2 Layer3	8Kbps ~ 320Kbps	16KHz ~ 48KHz
.ec3	EAC3	32Kbps ~ 6Mbps	32KHz, 44,1KHz, 48KHz
	AAC, HEAAC		8KHz ~ 48KHz
.rm, .rmvb, .ra	LBR (cook)	6Kbps ~ 128Kbps	8KHz, 11,025KHz, 22,05KHz, 44,1KHz
.wma, .wmv	WMA	128bps ~ 320Kbps	8KHz ~ 48KHz
	WMA 10 Pro M0	< 192kbps	48KHz
	WMA 10 Pro M1	< 384kbps	48KHz
	WMA 10 Pro M2	< 768kbps	96KHz
.webm	VORBIS		Tot 48KHz

## Ondersteunde ondertiteling bestandsformaten voor de USB-modus

Interne ondertiteling		
Extensie	Container	Ondertitelingscode
dat, mpg, mpeg, vob	MPG, MPEG	Dvd ondertiteling
ts, trp, tp	TS	DVB ondertiteling
mp4	MP4	Dvd ondertiteling UTF-8 Plain Text
mkv	MKV	ASS SSA UTF-8 Plain Text VobSub Dvd ondertiteling

Externe ondertiteling		
Extensie	Ondertiteling parser	Opmerkingen
.srt	Subrip	
.ssa/ .ass	SubStation Alpha	
.smi	SAMI	
.sub	SubViewer MicroDVD DVDSubtitleSystem SubIdx (VobSub)	Enkel SubViewer 1.0 & 2.0
.txt	TMPlayer	

## Innholdsfortegnelse

Varslinger, funksjoner og tilbehør .....	4
Energieffektivitet .....	4
TV rulleknappen .....	4
Slå på/av .....	4
Førstegangsinstallasjon .....	4
Spille av mediefiler fra en USB-stasjon .....	5
Meny for medieleser .....	5
CEC .....	6
Endre TV-innstillinger .....	6
Visningsalternativer .....	6
Lydalternativer .....	6
Konfigurerer foreldreinnstillinger .....	6
Elektronisk programguide (EPG) .....	7
Oppdatere din TV .....	7
Feilsøkingstips .....	8
Typiske visningsmoduser for PC-inndata .....	10
AV og HDMI signal Kompatibilitet .....	10
Støttede vdeofilformater for USB-modus .....	11
Støttede bildefilformater for USB-modus .....	11
Støttede audiofilformater for USB-modus .....	12
Støttede tekstfilformater for USB-modus .....	13

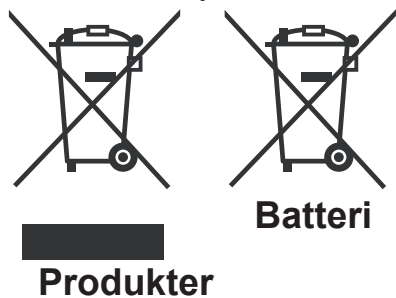
## Viktig

'Les og forstå all informasjon i den medfølgende Sikkerhetsbrosjyre før du installerer og bruker TVen. Hvis skaden er forårsaket av manglende oppfølging av disse instruksjonene, vil garantien ikke gjelde.'

### Deponering av gammelt Utstyr og Batterier

Vennligst ikke avhende denne TV eller batteri som vanlig husholdningsavfall. Dersom du ønsker å deponere produktet eller batteri må dette gjøres i overensstemmelse med gjeldende innsamlingsystem eller fasiliteter for korrekt resirkulering.

**Merk:** Skiltet Pb under symbolet for batterier indikerer at dette batteriet inneholder bly.







1. **Ventemodus:** Slår på/av-bryteren TV-en
2. **Tekst:** Viser tekst-TV, trykk gjen for å vise tekst-TV over et vanlig kringkastingsbilde (miks)
3. **Stopp:** Stopper media som spilles
4. **Skjerm:** Endrer bildeforholdet for skjermen
5. **Kilde:** Viser alle tilgjengelige kringkastinger og innholdskilder
6. **Meny:** Viser TV menyen
7. **Veksle:** Skifter raskt mellom forrige og gjeldende kanaler eller kilder

Hvis **Hotellmodus** er satt til **På**, vil et trykk på denne knappen veksle mellom nettverkskanaltypene DVB-T&Analog, DVB-kabel&Analog and DVB-stallitt&Analog

8. **Navigasjonsknapper:** Hjelper å navigere i menyer, innhold osv. og viser undersidene i TXT-modus når den trykkes til høyre eller venstre
9. **Program -/ side opp -** (i TXT-modus)
10. **Volum -**
11. **Grønn knapp,** Følg instruksjonene på skjermen for funksjonene til fargede knapper
12. **Rød knapp:** Følg instruksjonene på skjermen for funksjonene til fargede knapper
13. **Nummertaster:** Bytter kanal, legger inn et nummer eller en bokstav i tekstboksen på skjermen.
14. **Teksting:** Slår undertekster av og på (hvor tilgjengelig)
15. **Språk:** Veksler mellom lydmodi (analog TV), skjerm og endrer språk på lyd/teksting (digital TV, der det er tilgjengelig)
16. **Blå knapp:** Følg instruksjonene på skjermen for funksjonene til fargede knapper
17. **Gul knapp:** Følg instruksjonene på skjermen for funksjonene til fargede knapper
18. **Volum +**
19. **Stille:** Slår lyden på TV-en helt av
20. **Program +/- side opp +** (i TXT-modus)
21. **Returner/Tilbake:** Går tilbake til forrige skjermbilde, åpner indekssiden (i TXT-modus)
22. **OK:** Bekrefter brukervalg, holder siden (i TXT-modus), viser kanalliste
23. **Info:** Viser informasjon om skjerminnhold, viser skjult informasjon (avslør – in TXT-modus)
24. **Spill:** Begynner avspilling av valgt media
25. **Pause:** Setter media som spilles på pause
26. **Sleep (søvn):** Innstiller TV-en til å slå seg av automatisk
27. **EPG (Elektronisk programguide):** Viser den elektroniske programguiden

### Tekst-TV

Trykk **Text**-knappen for å vise tekst-TV-informasjon. Trykk igjen for å aktivere mix-modus, som lar deg se tekst-TV-siden og TV-sending på samme tid. Trykk en gang til for å gå ut. Hvis det er tilgjengelig, vil deler av tekst-TV- bli fargekodet, og kan velges ved å trykke på de fargede knappene. Bruk enten navigasjonsknappene eller Program +/- knappene for å bla gjennom sidene. Bruken kan variere noe, avhengig av innholdet av tekst-TV. Følg instruksene som vises på skjermen.

**Merk:** Rekkevidden er på rundt 7m / 23ft.,

## Varslinger, funksjoner og tilbehør

### Energieffektivitet

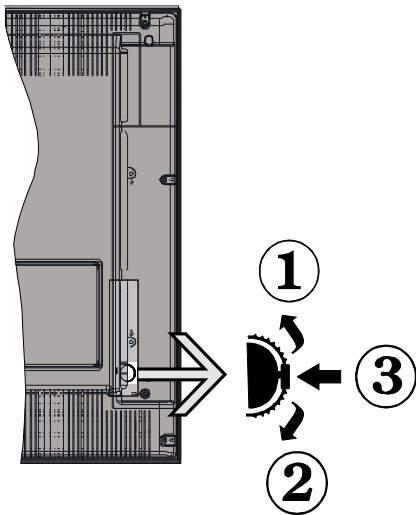
Denne TV-en er designet med energieffektive funksjoner:

- **Energisparing:** Du kan bruke en kombinasjon av energibesparende bildeinnstillinger. Mens du ser på TV, trykker du på **Menu**-knappen og innstillingene for **Strømsparing** kan bli funnet i **Bilde**-delen av hovedmenyen.
- **Bilde av-modus:** Hvis du bare ønsker å lytte på lyd fra TV, kan du slå av displayet. Andre funksjoner fortsetter å fungere som normalt. Mens du ser på TV, trykker du på **Menu**-knappen og velger **Bilde**. Derfra velger du alternativet **Strømsparing**. Trykk på høyre knapp mens **Auto**-alternativet er valgt eller venstre knapp mens **Egendefinert**-alternativet er valgt. En melding vil vises på skjermen. Velg **Gå videre** og trykk på **OK** for å slå av skjermen umiddelbart. Hvis du ikke trykker på en knapp, vil skjermen slå seg av om 15 sekunder. Trykk på en knapp på fjernkontrollen eller på TV-en for å slå på skjermen igjen.

**Merk:** **Skjerm av**-alternativet ikke er tilgjengelig hvis Modus er satt til **Spill**. Koble TV-en fra støpselet i tilfelle TV-en kommer til å være inaktiv i lang tid.

### TV rulleknappen

TV Rull-knappen på siden av TV-en kan du kontrollere volumet, skifte kanaler og sette TV i standby.



**For å endre volum:** Øke volumet ved å rulle opp. Reduser volumet ved å rulle ned.

**For å endre kanal:**

- Trykk midt på rulle-knappen, kanalinformasjonsbanneret vises på skjermen.
- Bla gjennom de lagrede kanalene ved å trykke skyveknappen opp eller ned.

**For å endre kilde:**

- Trykk på midten av knappen to ganger (for andre gang totalt). Kildelisten vises på skjermen.

- Bla gjennom de tilgjengelige kildene ved å trykke knappen opp eller ned.

**For å sette TV-en til standby:** Trykk midt på knappen og hold den nede i noen sekunder. TV-en går inn i standbymodus.

**For å slå TV på fra standbymodus:** Trykk midt på knappen. TV-en vil slå seg på.

**Merknader:**

*Hvis du slår av TV-en, starter denne sirkelen igjen og begynner med lydstyrkeinnstillingen.*

*Hovedmeny OSD kan ikke vises ved hjelp av kontrollknappen.*

### Slå på/av

#### Skru på TV-en

For å slå TV på fra standbymodus, enten:

- Trykk på **Standby**-knappen, **Program +/-** eller en siffertast på fjernkontrollen.
- Trykk midt på funksjonsbryteren på siden på TV-en.

**Merk:** Hvis TV-apparatet har stått på og ikke har blitt brukt på en stund, vil TV-en gå i ventemodus. Neste gang du slår den på, vil følgende melding vises. "**Standbyårsak Ingen drift**", trykk **OK** for å fortsette.

#### Å slå TV av

- Trykk på **Standby**-knappen på fjernkontrollen eller trykk på midten av sidefunksjonsbryten på TV-en og hold den inne et par sekunder, så vil TV-en gå over i hvilemodus.

**Merk:** For å slå strømmen helt av, trekk ut strømledningen fra stikkontakten.

### Førstegangsinstallasjon

Du vil se språkvalg skjermen når du slår på TV-en. Velg ønsket språk og trykk **OK**.

**Merk:** Hvis en USB-enhet er koblet til TV-en, kan du trykke på den **grønne** knappen på fjernkontrollen før du fortsetter, for å laste ned NVRAM-dataen (tjenestelisten, preferanser, osv.) fra USB-enheten som er lastet opp fra en annen Philips Hotel TV. Henvis til delene "**Kopier til USB**" og "**Kopier fra USB**" under **Hotellmodus**-tittelen på sidene i slutten av denne håndboken.

Hvis den riktige programvareoppdateringsfilen er forhåndsinstallert i USB-enheten, kan du trykke på den **røde** knappen på fjernkontrollen før du fortsetter, for å oppgradere TV-ens programvare. Oppdateringsfilen for programvare bør få navnet til "**ES162HE\_upgrade.bin**" eller "**Philips\_upgrade\_mb110.bin**".

Programvareoppgradering via en USB-enhet kan gjøres npr som helst ved å bruke den skjulte tastekombinasjonen "**Menu-1-5-0-5**".

Still dine preferanser på neste skjerm med retningsknappene og når du er ferdig, trykker du på **OK** for å fortsette.

Du kan stille inn TV ved å følge Førstegangsinstallasjon (FTI) skjerm med følgende valg.

## Digital antenneinstallasjon

Hvis søkealternativet Digital Antenne er slått på, vil TV-en søke etter digitale bakkeendinger etter at andre innledende innstillingene er fullført.

## Digital kabelinstallasjon

Hvis søkealternativet **Digital Kabel** er slått på, vil TV-en søke etter digitale kabelsendinger etter at andre innledende innstillingene er fullført. I henhold til dine andre preferanser kan det vises en bekreftelsesmelding før du begynner å søke. For å utføre automatisk installasjon i tilfelle kabelnettverksleverandøren ditt støtter en nettverks-ID-basert installasjon (f.eks. Unitymedia), velg **Ja** på følgende skjerm og trykk **OK**.

Dersom kabelnettverksleverandøren din ikke støtter en nettverks-ID-basert installasjon velger du **Nei**, trykker **OK** og følger instruksjonene på skjermen.

Du kan velge frekvensområder fra denne skjermen. Skriv inn frekvensområdet manuelt ved hjelp av tallknappene.

**Merk:** Søkevarigheten vil variere avhengig av den valgte søkertrinn.

## Analog installasjon

Hvis søkealternativet **Analog** er valgt, vil TV-en søke etter analoge sendinger etter at de andre første innstillingene er gjort.

Du kan også velge en kringkastingsstype som favoritt. Utvalgte sendetyper vil bli prioritert under søkeprosessen, og disse kanalene vil bli listet opp øverst på **Kanalliste**. Når du er ferdig, trykk på **OK** for å fortsette.

Valgskjermen for **Hjemmemodus/Butikkmodus** blir vist. Det anbefales å bruke **Hjemmemodus** for hjemmebruk.

Etter at de første innstillingene er ferdige, vil TV-en vil begynne å søke etter tilgjengelige sendinger i kringkastingsstypene du har valgt.

Mens søket fortsetter, kan en melding vise seg som spør om du ønsker å sortere kanalene i henhold til LCN(\*). Velg **Ja** og trykk **OK** for å bekrefte.

(\* LCN er det logiske nummersystemet som organiserer tilgjengelige kringkastninger i samsvar med en gjenkjennelig kanalnummersekvens (om tilgjengelig).

Etter alle tilgjengelige stasjoner lagret, vil søkeresultatene bli vist. Trykk **OK** for å fortsette. **Rediger kanalliste** vil så bli vist. Trykk på **Menu**-knappen for å avslutte **Rediger kanalliste** og se på TV.

**Merk:** Ikke slå av TV-en mens du begynner første gangs installasjon. Merk at noen alternativer er kanskje ikke tilgjengelige, avhengig av valg av land.

## Spille av mediefiler fra en USB-stasjon

Du kan spille av fotografi, musikk og film filer lagret på en USB-disk ved å koble den til din TV. Koble en USB disk til en av USB inngangene er plassert på baksiden av TV-en. USB-enheten vil bli gjenkjent av TV-en automatisk og **Media Browser**-menyen vil bli vist. Du kan også få tilgang til **Media Browser**-menyen for hovedmenyen. Trykk på **Menu**-knappen, velg **Media Browser** fra listen og trykk **OK**-knappen for å åpne.

Etter at du har valgt ønsket medietype i **Media Browser**-typen, kan du få tilgang til menyalternativene **Bilde**, **Lyd** og **Innstillinger**. Trykk **Menu**-knappen igjen for å gå vekk fra denne skjermen. Du kan angi dine **Media Browser** preferanser ved hjelp av **Innstillinger**-menyen.

For å aktivere funksjonen **Autoavspilling**, må du utheve dette alternative i **Innstillinger**-menyen og angi det som **På** ved bruk av retningsknappene. Når denne funksjonen er aktivert, oppdager TV-en tilkoblede USB-enheter og søker etter mediefiler.

Det søkes etter bildefiler først. Hvis ingen bildefiler blir funnet, søker programmet etter videofiler. Hvis ingen videofiler blir funnet, søker programmet etter lydofiler.






Etter å finne en fil du vil spille av, vil formatet på denne filen velges som et konstant valg, og hver fil med dette formatet vil bli spilt i en uendelig sløyfe. Bruk av fjernkontrollen til å gå ut osv. vil avbryte avspillingene av filen(e) og avbryte avspillingssløyfen.

Når TV-en ikke kan finne mediefiler, vil den viktigste medienettlesermenyen vises på skjermen. Sett **Visningsstil** som **Flat** for å gjøre alle filer som søkes på i alle undermapper i USB-enheten.

**Merk:** Hvis TV-en er i standbymodus, vil ikke dette alternativet være tilgjengelig.

**VIKTIG!** Sikkerhetskopier filene dine før du foretar tilkoblinger til TV-en. Vær oppmerksom på at produsenten ikke kan være ansvarlig for skader på filen eller tap av data. Visse typer USB-enheter (f.eks MP3-spillere) eller USB-harddisker/minnepinner kan ikke være kompatible med denne TV-en.

## Meny for medieleser

Loop/Shuffle Modus Operasjon.	
Start avspilling med <b>Avspille</b> -knappen og aktiver 	Alle filene i listen vil spilles av kontinuerlig i den opprinnelige rekkefølgen
Start avspilling med <b>OK</b> -knappen og aktiver 	Den samme filen vil bli spilt av kontinuerlig (repetert)
Start avspilling med <b>Avspille</b> -knappen og aktiver 	Alle filene i listen vil spilles av én gang i en tilfeldig rekkefølgen
Start avspilling med <b>Avspille</b> -knappen og aktiver  	Alle filene i listen vil spilles av kontinuerlig i den samme tilfeldige rekkefølgen

## CEC

Denne funksjonen gjør det mulig å kontrollere CEC-aktiverede enheter, som er koblet til ved bruk av HDMI-porter, men fjernkontrollen til TV-en.

**CEC**-alternativet i menyen **Innstillinger>Mer** må først være satt til **Aktivert**. Trykk på **Source**-knappen og velg HDMI-inngangen for den tilkoblede CEC-enheten fra **Kildeliste**-menyen. Når den nye CEC-kildelisten er tilkoblet, vil den være oppført i kildemenyen med eget navn istedenfor navnet til den tilkoblede HDMI-porten (for eksempel DVD-spiller, Opptaker 1 osv.).

Fjernkontrollen til TV-en er istand til å utføre hovedfunksjonene automatisk etter at HDMI-kilden er blitt valgt.

For å avslutte denne operasjonen og kontrollere TV-en via fjernkontrollen igjen, må du trykk og holde nede "0-Nullknappen" på fjernkontrollen i 3 sekunder. Denne funksjonen kan også aktiveres og deaktiveres i menyen **Innstillinger>Mer**.

TV-en støtter også funksjonen ARC (Audio Return Channel). Denne funksjonen er en lydkobling som er ment å erstatte andre kabler mellom TV-en og lydanlegget (A/V-mottaker eller høyttalersystem).

Når ARC er aktiv, vil ikke TV-en dempe andre lydutganger automatisk. Du må derfor redusere TV-volumet til null manuelt, hvis du ønsker å høre lyd utelukkende fra den tilkoblede lydenheten (i likhet med andre optiske eller koaksiale digitale lydutganger). Hvis du vil endre volumnivået for den tilkoblede enheten, må du velge enheten fra kildelisten. Dersom volumknappene er knyttet opp mot den tilkoblede lydenheten.

**Merk:** ARC støttes bare via HDMI1-inngangen.

### Systemlydkontroll

Gjør det mulig å bruke en lydforsterker/-mottaker med TV-en. Du kan styre volumet med fjernkontrollen til TV-en. For å aktivere disse funksjonene, setter du **Høyttaler**-alternativet i menyen **Innstillinger>Mer** til **Forsterker**. TV-høyttalerne dempes og lyden til kilden du ser på som vil bli gitt fra det tilkoblede lydsystemet.

**Merk:** Lydenheten skal støtte Systemlydkontroll-funksjonen og alternativet skal være satt til **CEC aktivert**.

### Endre TV-innstillinger

Å få tilgang til alternativene som er oppført nedenfor;

- 1- Trykk på **Menu**-knappen
- 2- Fremheve valget ditt
- 3- Trykk **OK** for å bekrefte

## Visningsalternativer

**Modus:** Endrer bildemodus til ett av følgende: **Kino**, **Spill**, **Sport(\*)**, **Dynamisk** og **Nøytral**.

(\*) Alternativet **Spill** er kanskje ikke tilgjengelig, avhengig av valg av land.

**Kontrast:** Angir verdier for lyshet og mørke på skjermen.

**Klarhet:** Stiller inn klarhetsverdiene på skjermen.

**Skarphet:** Stiller inn skarphetsverdi. En høy skarphet verdi kan føre til en klarere, skarpere bilde avhengig av innholdet.

**Farge:** Setter farge verdi.

**Baklys:** Styrer lysstyrken på bakgrunnslyset. Baklysfunksjonen vil være inaktiv hvis **Energsparing** er satt til et annet alternativ enn **Egendefinert**.

## Lydalternativer

**Volum:** Justerer volumnivå.

**Forsterker:** Velger equalizer modus.

**Balanse:** Justerer om lyden kommer hovedsakelig fra høyre eller venstre høyttaler.

**Hodetelefon:** Stiller inn hodetelefonvolum. Dette alternativet vil være inaktivt hvis alternativet **Hodetelefon/Linje ut** er satt til **Linje ut**.

**Lydmodus:** Angir den foretrukne lydmodus.

**AVL:** Setter en grense for maksimalt volum.

**Hodetelefon/Linje ut:** Dette alternativet bør settes til **Hodetelefon** hvis du har hodetelefoner eller **Linje ut** om du har ekstern forsterker koblet til hodetelefonkontakten.

**Dynamisk bass:** Aktiverer eller deaktiverer dynamisk bass. Øker omfanget av bass.

**Surround-lyd:** Modusen Surround-lyd kan slås **På** eller **Av**.

**Digital ut:** Stiller inn digital lydtype ut.

## Konfigurerer foreldreinnstillinger

Denne funksjonen er for å begrense tilgang til utvalgt innhold. Den styres av en PIN-kode definert av deg. Du finner disse innstillingene i menyen **Innstillinger>Foreldre**.

**Merk:** Standard PIN kan settes til **0000** eller **1234**. Hvis du har definert PIN (blir forespurt avhengig av valg av land) i løpet av Første installering, bruker du PIN-koden du har definert.

Noen alternativer er kanskje ikke tilgjengelig, avhengig av valg av land i **Første installering**.

**Menylås:** Innstilling av menylås aktiverer eller deaktiverer menytilgangen.

**Barnesikring (valgfritt):** Hvis dette alternativet er angitt, vil den hente aldersgrenseinformasjon fra kringkastingen, og hvis denne aldersgrensen er

deaktivert, vil den deaktivere tilgangen til kringkastingen.

**Barnelås (valgfritt):** Når Barnelås er valgt, vil det kun være mulig å betjene TV-apparatet ved hjelp av fjernkontroll. Da vil ikke kontrollpanel knappene fungere.

**Veiledning (valgfritt):** Denne innstillingen aktiverer eller deaktiverer tilgang til enkelte MHEG-programmer. Deaktiverte programmer kan frigjøres ved å taste riktig PIN-kode.

**Still inn PIN:** Definerer en ny PIN.

**Standard CICAM PIN:** Dette alternativet vil være nedtonet hvis ingen CI-moduler er satt inn i CI-sporret på TV-en. Med dette alternativet kan du endre standard PIN for CI CAM.

### Elektronisk programguide (EPG)

Enkelte kanaler sender informasjon om sendeplanene sine. Trykk **Epg** for å se menyen for elektronisk programguide (EPG).

Det er 3 ulike typer oppsett for planlegging, **Tidsplan**, **Listeplan** og **Nå/Neste plan**. Følg instruksjonene nederst på skjermen for å bytte mellom dem.

#### Tidsplan

**Zoom (gul knapp):** Trykk på den **gule** knappen for å se hendelser i et bredere tidsintervall.

**Filter (blå knapp):** Viser alternativer for filtrering.

**Velg sjanger (Subtitles-knapp):** Viser **Velg sjanger**-meny. Ved hjelp av denne funksjonen kan du søke i databasen til programguiden i overensstemmelse med sjangeren som du har valgt. Tilgjengelig informasjon i programguiden søkes, og resultater som samsvarer med kriteriene dine vil utheves.

**Alternativer (OK-knapp):** Viser hendelsesalternativer.

**Hendelsesdetaljer (Info-knapp):** Viser detaljert informasjon om valgte hendelser.

**Neste/Forrige dag (knappene Program +/-):** Viser hendelsene for dagen før eller neste dag.

**Søk (Text-knapp):** Viser **Guidesøk**-menyen.

**Nå (Swap-knapp):** Viser aktuell sending på uthevet kanal.

#### Listeplan(\*)

(\*) I dette oppsettsalternativet, vises bare hendelsene for den uthevede kanalen.

**FORRIGE. Tidsavsnitt (rød knapp):** Viser hendelsene fra forrige tidsavsnitt.

**Neste/Forrige dag (knappene Program +/-):** Viser hendelsene for dagen før eller neste dag.

**Hendelsesdetaljer (Info-knapp):** Viser detaljert informasjon om valgte hendelser.

**Filter (Text-knapp):** Viser alternativer for filtrering.

**Neste tidsavsnitt (grønn knapp):** Viser hendelsene fra neste tidsavsnitt.

**Alternativer (OK-knapp):** Viser hendelsesalternativer.

### Nå/Neste plan

**Naviger (pilknapper):** Trykk på **pilkknappene** for å navigere gjennom kanaler og hendelser.

**Alternativer (OK-knapp):** Viser hendelsesalternativer.

**Hendelsesdetaljer (Info-knapp):** Viser detaljert informasjon om valgte hendelser.

**Filter (blå knapp):** Viser alternativer for filtrering.

#### Hendelsesalternativer

Trykk **OK** i EPG-menyen for å gå inn i **Hendelsevalg**-menyen.

**Velg kanal:** I EPG-menyen kan du, ved hjelp av dette alternativet, bytte til den valgte kanalen.

**Still inn tidsur ved hendelse / Slett tidsur på hendelse:** Etter at du har valgt en hendelse i EPG-menyen, trykk **OK**-knappen. Velg alternativet **Still inn tidsur på hendelse** og trykk på **OK**-knappen. Du kan sette et tidsur for fremtidige hendelser. For å avbryte et allerede innstilt tidsur, må du merke hendelsen og trykke på **OK**-knappen. Velg deretter **Slett tidsur på hendelse**-alternativet. Timeren vil bli avbrutt.

### Oppdatere din TV

Navigere på hovedmenyen, velge **Innstillinger>Mer**, og versjonen av den aktuelle programvaren vises.

**FORSIKTIG:** Ikke installer en eldre versjon av programvaren enn den gjeldende versjonen som er installert på produktet. TP Vision kan ikke holdes ansvarlig eller gjøres ansvarlig for problemer forårsaket av en nedgradering av programvare.

#### Oppdatere med USB

Før du oppdaterer programvaren, sørg for at du har:

- En USB-lagringsenhet som har minst 256 MB med lagringsplass, er FAT32 eller DOS formatert og har skrivebeskyttelse deaktivert.
- Tilgang til en datamaskin med en USB-kontakt og Internett-tilgang.

Naviger til [www.philips.com/support](http://www.philips.com/support), og følg programvareoppdatering instruksjoner.

#### Automatisk oppdatering fra digital sending

Mens TVen er koblet til en antenne signal. Hvis **Automatisk skanning** i menyen **Oppgraderingsalternativer** er **aktivert**, aktiveres TVen kl 03:00 og søker i kringkastingskanalene etter nye programvareoppdateringer. Om ny programvare er funnet og lastet ned på riktig måte, neste gang TVen starter opp vil den ha den nye programvareversjonen. For å åpne menyen **Oppgraderingsalternativer**, gå inn i menyen **Innstillinger>Mer**, uthev **Programvareoppdatering** og trykk på **OK**-knappen.

**Merk:** Ikke koble fra strømfedningen mens lysdioden blinker under omstart. Hvis TV-apparatet ikke klarer å komme på etter oppgraderingen koble fra TVen for 2 minutter og plugg inn igjen.

### TV-en vil ikke slå seg på

Kontroller at strømledningen er koblet sikkert til stikkontakten. Sjekk om batteriene er utgått. Trykk på Power-knappen på TV-en.

### Dårlig bilde

- Sjekk om du har valgt riktig TV-system.
- Lavt signal nivå kan gi bildeforstyrrelser. Vennligst sjekk antennetilgang.
- Sjekk om du har valgt riktig kanalfrekvens hvis du har gjort manuell tuning.
- Bildekvaliteten kan brytes ned når to enheter er koblet til TV-en på samme tid. I slike tilfeller bør du koble fra ett av apparatene.

### Manglende bilde

- Dette betyr at TV-en ikke mottar noen sendingssignaler. Sørg for at du har valgt korrekt kilde.
- Er antennen tilkoblet på riktig måte?
- Er antennekabelen skadet?
- Er riktige pluggen brukt for å koble antennen?
- Er du i tvil, ta kontakt med leverandøren.

### Manglende lyd

- Sjekk om TV-en er dempet. Trykk knappen **Lydløs** eller øk volumet for å sjekke.
- Lyd kommer kanskje fra bare én høyttaler. Sjekk balanseinnstillingene i **Lyd**-menyen.

### Fjernkontroll – ingen drift

- Batteriene kan være oppbrukt. Bytt batteriene.

### Inngangskilder - kan ikke velges

- Hvis du ikke kan velge en inngangskilde, er det mulig at du ikke har noen enheter koblet til. Hvis ikke:
- Kontroller AV-kablene og kontaktene hvis du prøver å bytte til inngangskilden som er tilknyttet den tilkoblede enheten.

## Spesifikasjoner

<b>Fjernsynssending</b>	PAL BG/DK/II' SECAM BG/DK			
<b>Mottak av Kanaler</b>	VHF (BAND I/III) - UHF (BAND U) - HYPERBAND			
<b>Digitalt Mottak</b>	Fullt integrert digital bakkesendt kabel-TV (DVB-T-C) (DVB-T2-kompatibel)			
<b>Antall Forhåndsstilte Kanaler</b>	1.000			
<b>Kanalindikator</b>	Skjermvisning			
<b>RF-antenneinngang</b>	75 Ohm (ubalansert)			
<b>Operasjonsspenning</b>	220-240V AC, 50Hz.			
<b>Lyd</b>	Tysk+Nicam Stereo			
<b>Skjerm</b>	24"	32"	43"	49"
<b>Audio Utgangseffekt (WRMS.) (10% THD)</b>	2x2,5W	2x6W	2x8W	2x8W
<b>Strømforbruk (W)</b>	45W	65W	75W	75W
<b>Vekt (kg)</b>	3,45 kg	5,60 kg	9,30 kg	11,35 kg
<b>TV-dimensjoner DxLxH (med stativ) (mm)</b>	134x554x370 mm	185x735x478 mm	220x974x615 mm	220x1112x692 mm
<b>TV-dimensjoner DxLxH (uten stativ) (mm)</b>	35(min)/61(max)x554x339mm	77(min)/89(max)x735x438mm	64(min)/93(max)x974x572mm	60(min)/91(max)x1112x653mm
<b>Operasjonstemperatur og operasjonsluftfuktighet:</b>	0 °C opptil 40 °C, 85 % fuktighet maks.			

## Typiske visningsmoduser for PC-inndata

Følgende tabell er en illustrasjon av noen typiske videovisningsmoduser.

Index	Oppløsning	Frekvens
1	640x350	85Hz
2	640x400	70Hz
3	640x480	60Hz
4	640x480	66Hz
5	640x480	72Hz
6	640x480	75Hz
7	640x480	85Hz
8	800x600	56Hz
9	800x600	60Hz
10	800x600	70Hz
11	800x600	72Hz
12	800x600	75Hz
13	800x600	85Hz
14	832x624	75Hz
15	1024x768	60Hz
16	1024x768	66Hz
17	1024x768	70Hz
18	1024x768	72Hz
19	1024x768	75Hz
20	1024x768	85Hz
21	1152x864	60Hz
22	1152x864	70Hz
23	1152x864	75Hz
24	1152x864	85Hz
25	1152x870	75Hz
26	1280x768	60Hz
27	1360x768	60Hz
28	1280x768	75Hz
29	1280x768	85Hz
30	1280x960	60Hz
31	1280x960	75Hz
32	1280x960	85Hz
33	1280x1024	60Hz
34	1280x1024	75Hz
35	1280x1024	85Hz
36	1400x1050	60Hz
37	1400x1050	75Hz
38	1400x1050	85Hz
39	1440x900	60Hz
40	1440x900	75Hz
41	1600x1200	60Hz
42	1680x1050	60Hz
43	1920x1080	60Hz
44	1920x1200	60Hz

## AV og HDMI signal Kompatibilitet

Kilde	Støttede signaler	Tilgjengelig	
EXT (SCART)	PAL	O	
	SECAM	O	
	NTSC4.43	O	
	NTSC3.58	O	
SIDE AV	RGB 50/60	O	
	PAL	O	
	SECAM	O	
	NTSC4.43	O	
PC/YPbPr	NTSC3.58	O	
	480i, 480p	60Hz	O
	576i, 576p	50Hz	O
	720p	50Hz, 60Hz	O
HDMI	1080i	50Hz, 60Hz	O
	480i, 480p	60Hz	O
	576i, 576p	50Hz	O
	720p	50Hz, 60Hz	O
	1080p	24Hz, 25Hz, 30Hz, 50Hz, 60Hz	O



## Støttede videofilformater for USB-modus

Filendelse	Videokodek	SPESIFIKASJONER (oppløsning) og bithastighet
.dat, vob	MPEG1/2	1080P@30bps - 40 Mbps
.mpg, .mpeg	MPEG1/2, MPEG4	
.ts, .trp, .tp	MPEG1/2, H.264, AVS, MVC	<b>H.264:</b> 1080Px2@30bps - 62,5 Mbps, 1080P@60bps - 62,5 Mbps <b>MVC:</b> 1080P@30bps - 62,5 Mbps <b>Annet:</b> 1080P@30bps - 40Mbps
.mp4, .mov, .3gpp, .3gp	MPEG1/2, MPEG4, H.263, H.264, Motion JPEG	<b>H.264:</b> 1080Px2@30bps - 62,5 Mbps, 1080P@60bps - 62,5 Mbps <b>Motion JPEG:</b> 640x480@30bps - 10 Mbps <b>Annet:</b> 1080P@30bps - 40 Mbps
.avi	MPEG1/2, MPEG4, Sorenson H.263, H.263, H.264, WMV3, Motion JPEG	
.mkv	MPEG1/2, MPEG4, H.263, H.264, WMV3, Motion JPEG	
.asf	Sorenson H.263, H.264, WMV3, Motion JPEG	
.flv	WMV3	1080P@30bps - 40 Mbps
.swf	RV30/RV40	1080P@30bps - 40 Mbps
.wmv		
.mp4, .mov, .3gpp, .3gp, MPEG-transportstream, .ts, .trp, .tp, .mkv	HEVC/H.265	1080P@60fps - 50Mbps

## Støttede bildefilformater for USB-modus

Bilde	Foto	Oppløsning (bredde x høyde)	Merknad
JPEG	Basislinje	15360x8640	Grensen for maks oppløsning avhenger av DRAM-størrelse
	Progressiv	1024x768	
PNG	ikke-interlace	9600x6400	
	sammenflettet	1200x800	
BMP		9600x6400	

## Støttede audiofilformater for USB-modus

Filendelse	Audiokodek	Bitforhold	Prøveforhold
.mp3,	MPEG1/2 Layer1	32Kbps ~ 448Kbps	16KHz ~ 48KHz
	MPEG1/2 Layer2	8Kbps ~ 384Kbps	
	MPEG1/2 Layer3	8Kbps ~ 320Kbps	
.avi	MPEG1/2 Layer1	32Kbps ~ 448Kbps	16KHz ~ 48KHz
	MPEG1/2 Layer2	8Kbps ~ 384Kbps	
	MPEG1/2 Layer3	8Kbps ~ 320Kbps	
	AC3	32Kbps ~ 640Kbps	32KHz, 44,1KHz, 48KHz
	AAC, HEAAC		8KHz ~ 48KHz
	WMA	128bps ~ 320Kbps	8KHz ~ 48KHz
	WMA 10 Pro M0	< 192kbps	48KHz
	WMA 10 Pro M1	< 384kbps	48KHz
	WMA 10 Pro M2	< 768kbps	96KHz
	LPCM	64Kbps ~ 1.5Mbps	8KHz ~ 48KHz
	IMA-ADPCM, MS-ADPCM	384Kbps	8KHz ~ 48KHz
G711 A/mu-law	64Kbps ~ 128Kbps	8KHz	
.asf	MPEG1/2 Layer1	32Kbps ~ 448Kbps	16KHz ~ 48KHz
	MPEG1/2 Layer2	8Kbps ~ 384Kbps	
	MPEG1/2 Layer3	8Kbps ~ 320Kbps	
	WMA	128bps ~ 320Kbps	8KHz ~ 48KHz
	WMA 10 Pro M0	< 192kbps	48KHz
	WMA 10 Pro M1	< 384kbps	48KHz
	WMA 10 Pro M2	< 768kbps	96KHz
.mkv, .mka	MPEG1/2 Layer1	32Kbps ~ 448Kbps	16KHz ~ 48KHz
	MPEG1/2 Layer2	8Kbps ~ 384Kbps	
	MPEG1/2 Layer3	8Kbps ~ 320Kbps	
	AC3	32Kbps ~ 640Kbps	32KHz, 44,1KHz, 48KHz
	AAC, HEAAC		8KHz ~ 48KHz
	WMA	128bps ~ 320Kbps	8KHz ~ 48KHz
	WMA 10 Pro M0	< 192kbps	48KHz
	WMA 10 Pro M1	< 384kbps	48KHz
	WMA 10 Pro M2	< 768kbps	96KHz
	VORBIS		Opp til 48KHz
	LPCM	64Kbps ~ 1.5Mbps	8KHz ~ 48KHz
	IMA-ADPCM, MS-ADPCM	384Kbps	8KHz ~ 48KHz
	G711 A/mu-law	64Kbps ~ 128Kbps	8KHz
FLAC	< 1.6Mbps	8KHz ~ 96KHz	
.ts, .trp, .tp, .dat, .vob, .mpg, .mpeg	MPEG1/2 Layer1	32Kbps ~ 448Kbps	16KHz ~ 48KHz
	MPEG1/2 Layer2	8Kbps ~ 384Kbps	
	MPEG1/2 Layer3	8Kbps ~ 320Kbps	
	AC3	32Kbps ~ 640Kbps	32KHz, 44,1KHz, 48KHz
	EAC3	32Kbps ~ 6Mbps	32KHz, 44,1KHz, 48KHz
	AAC, HEAAC		8KHz ~ 48KHz
	LPCM	64Kbps ~ 1.5Mbps	8KHz ~ 48KHz

Filendelse	Audiokodek	Bitforhold	Prøveforhold
.wav	MPEG1/2 Layer1	32Kbps ~ 448Kbps	16KHz ~ 48KHz
	MPEG1/2 Layer2	8Kbps ~ 384Kbps	
	MPEG1/2 Layer3	8Kbps ~ 320Kbps	
	LPCM	64Kbps ~ 1.5Mbps	8KHz ~ 48KHz
	IMA-ADPCM, MS-ADPCM	384Kbps	8KHz ~ 48KHz
	G711 A/mu-law	64Kbps ~ 128Kbps	8KHz
.3gpp, .3gp, .mp4, .mov, .m4a	MPEG1/2 Layer3	8Kbps ~ 320Kbps	16KHz ~ 48KHz
	AC3	32Kbps ~ 640Kbps	32KHz, 44,1KHz, 48KHz
	EAC3	32Kbps ~ 6Mbps	32KHz, 44,1KHz, 48KHz
	AAC, HEAAC		8KHz ~ 48KHz
	VORBIS		Opp til 48KHz
	LPCM	64Kbps ~ 1.5Mbps	8KHz ~ 48KHz
	IMA-ADPCM, MS-ADPCM	384Kbps	8KHz ~ 48KHz
	G711 A/mu-law	64Kbps ~ 128Kbps	8KHz
.flv	MPEG1/2 Layer3	8Kbps ~ 320Kbps	16KHz ~ 48KHz
	AAC, HEAAC		8KHz ~ 48KHz
.ac3	AC3	32Kbps ~ 640Kbps	32KHz, 44,1KHz, 48KHz
	AAC, HEAAC		8KHz ~ 48KHz
.swf	MPEG1/2 Layer3	8Kbps ~ 320Kbps	16KHz ~ 48KHz
.ec3	EAC3	32Kbps ~ 6Mbps	32KHz, 44,1KHz, 48KHz
	AAC, HEAAC		8KHz ~ 48KHz
.rm, .rmvb, .ra	LBR (cook)	6Kbps ~ 128Kbps	8KHz, 11,025KHz, 22,05KHz, 44,1KHz
.wma, .wmv	WMA	128bps ~ 320Kbps	8KHz ~ 48KHz
	WMA 10 Pro M0	< 192kbps	48KHz
	WMA 10 Pro M1	< 384kbps	48KHz
	WMA 10 Pro M2	< 768kbps	96KHz
.webm	VORBIS		Opp til 48KHz

## Støttede tekstfilformater for USB-modus

Interne undertekster		
Filendelse	Container	Undertekstkode
dat, mpg, mpeg, vob	MPG, MPEG	DVD-undertekst
ts, trp, tp	TS	DVB-undertekst
mp4	MP4	DVD-undertekst UTF-8 enkel tekst
mkv	MKV	ASS SSA UTF-8 enkel tekst VobSub DVD-undertekst

Eksterne Undertekster		
Filendelse	Undertekstparser	Merknad
.srt	Subrip	
.ssa/ .ass	SubStation Alpha	
.smi	SAMI	
.sub	SubViewer MicroDVD DVDSusbtittleSystem SubIdx (VobSub)	SubViewer 1.0 & 2.0 utelukkende
.txt	TMPlayer	

## Spis treści

Uwagi, funkcje i akcesoria .....	4
Sprawność energetyczna .....	4
Przycisk przewijania TV.....	4
Włączanie/wyłączanie .....	4
Pierwsza instalacja .....	4
Odtwarzanie plików medialnych z pendrive'a USB. ...	5
Menu przeglądarki mediów.....	6
CEC .....	6
Zmiana ustawień TV .....	6
Wyświetl opcje.....	6
Opcje dźwięku .....	6
Konfiguracja ustawień kontroli rodzicielskiej .....	7
Elektroniczny przewodnik po programach (EPG)..	7
Aktualizacja TV .....	7
Rozwiązywanie problemów i wskazówki .....	8
Typowe tryby wyświetlania dla wejścia PC .....	10
Kompatybilność sygnału AV i HDMI .....	10
Obsługiwane formaty plików wideo dla trybu USB .....	11
Obsługiwane formaty plików graficznych dla trybu USB .....	11
Obsługiwane formaty plików audio dla trybu USB .....	12
Obsługiwane formaty plików napisów dla trybu USB .....	13

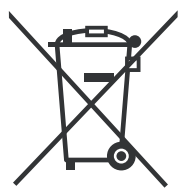
## Ważne

"Przed zainstalowaniem i użytkowaniem telewizora zapoznaj się uważnie ze wszystkimi informacjami zawartymi w książeczce dotyczącej bezpieczeństwa. Jakiegokolwiek uszkodzenia spowodowane niedostosowaniem się do zaleceń w niej zawartych nie są objęte gwarancją."

### Utylizacja starego sprzętu i baterii

Proszę wyrzucać tego telewizora lub baterii jak zwykłych odpadków domowych. Po zakończeniu eksploatacji tego urządzenia lub baterii należy je odnieść na wyznaczone składowisko odpadów lub do punktu zbiórki celem zapewnienia ich prawidłowego recyklingu.

**Uwaga:** Litery *Pb* pod symbolem baterii oznaczają, że bateria zawiera ołów.



**Produkty**



**Baterie:**



## Teletekst

Naciśnij przycisk **Text**, aby wyświetlić informacje teletekstu. Naciśnij ponownie, aby włączyć tryb Mix, pozwalający na jednoczesne oglądanie stron teletekstu i audycji TV. Naciśnij ponownie, aby wyjść. Gdy dostępne, sekcje lub strony teletekstu są kodowane kolorami i można je wybrać poprzez wciśnięcie przycisku o odpowiednim kolorze. Użyj przycisków nawigacyjnych lub **Program +/-** do przeglądania stron. Metoda obsługi może się różnić w zależności od zawartości teletekstu. Postępuj zgodnie z instrukcjami wyświetlonymi na ekranie.

1. **Tryb oczekiwania:** Włącza/wyłącza TV
2. **Teletekst:** Wyświetla teletekst (gdy dostępny), naciśnij ponownie, aby nałożyć teletekst na obraz telewizyjny (mix)
3. **Zatrzymać:** Zatrzymuje odtwarzanie mediów
4. **Ekran:** Zmienia aspekt ekranu
5. **Źródło:** Wyświetla wszystkie dostępne audycje i źródła
6. **Menu:** Wyświetla menu TV
7. **Zamiana:** Szybko przeskakuje pomiędzy poprzednim i bieżącym kanałem lub źródłami

Jeśli **Tryb hotelowy** jest **Włączony**, naciśnięcie tego przycisku przełącza pomiędzy typami kanałów sieciowych DVB-T i analogowych, kablówką DVB i analogową oraz telewizją satelitarną DVB i analogową

8. **Przyciski nawigacyjne:** Pomagają poruszać się po menu, zawartości, itp. oraz wyświetlają podstrony w trybie teletekstu po naciśnięciu prawego lub lewego przycisku
9. **Program - / Strona -** (w trybie teletekstu)
10. **Głośność -**
11. **Zielony przycisk:** Postępuj zgodnie ze wskazówkami wyświetlanymi na ekranie, aby skorzystać z funkcji kolorowych przycisków
12. **Czerwony przycisk:** Postępuj zgodnie ze wskazówkami wyświetlanymi na ekranie, aby skorzystać z funkcji kolorowych przycisków
13. **Przyciski numeryczne:** Włącza kanał, wprowadza liczbę lub literę do pola tekstowego na ekranie.
14. **Napisy:** Włącza i wyłącza napisy (gdy dostępne)
15. **Język:** Przełącza pomiędzy trybami dźwięku (telewizja analogowa), wyświetla i zmienia audio/język napisów (telewizja cyfrowa, gdy dostępna)
16. **Niebieski przycisk:** Postępuj zgodnie ze wskazówkami wyświetlanymi na ekranie, aby skorzystać z funkcji kolorowych przycisków
17. **Żółty przycisk:** Postępuj zgodnie ze wskazówkami wyświetlanymi na ekranie, aby skorzystać z funkcji kolorowych przycisków
18. **Głośność +**
19. **Wyciszenie:** Całkowicie wyłącza dźwięk TV
20. **Program + / Strona +** (w trybie teletekstu)
21. **Return/Back:** Powraca do poprzedniego ekranu, otwiera stronę indeksu (w trybie teletekstu)
22. **OK:** Potwierdza wybory użytkownika, wstrzymuje stronę (w trybie teletekstu), wyświetla listę kanałów
23. **Info:** Wyświetla informacje o treściach wyświetlanych na ekranie, pokazuje ukryte informacje (odsłoń - w trybie teletekstu)
24. **Odtwarzanie:** Rozpoczyna odtwarzanie wybranych mediów
25. **Pauza:** Wstrzymuje odtwarzanie mediów
26. **Uśpienie:** Ustawia automatyczne wyłączenie TV
27. **EPG (Elektroniczny przewodnik po programach):** Wyświetla elektroniczny przewodnik po programach



**Uwaga:** Zakres działania pilota wynosi około 7m/ 23ft.

## Uwagi, funkcje i akcesoria

### Sprawność energetyczna

Ten TV posiada opcje poprawiania wydajności energetycznej:

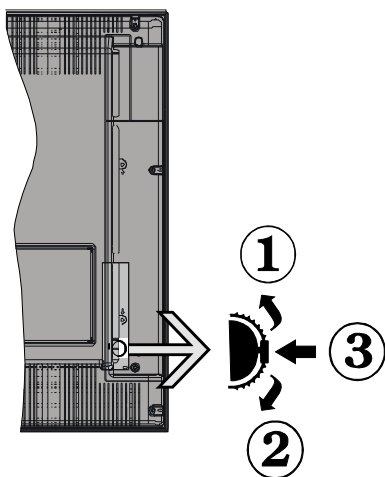
- **Oszczędzanie energii:** Możesz zastosować kombinację ustawień obrazu oszczędzających energię. Podczas oglądania TV naciśnij przycisk **Menu** i znajdź ustawienia trybu **oszczędzania energii** w części głównego menu dotyczącej **obrazu**.

- **Funkcja wyłączenia obrazu:** Jeśli chcesz tylko słuchać dźwięku TV, możesz wyłączyć obraz. Inne funkcje będą działać normalnie. Podczas oglądania TV naciśnij przycisk **Menu** i wybierz **Obraz**, a tam wybierz opcję **oszczędzania energii**. Naciśnij prawy przycisk, gdy wybrana jest opcja **Auto** lub Lewy przycisk, gdy wybrano opcję **Niestandardowe**. Na ekranie pojawi się komunikat. Wybierz **Wykonaj** i naciśnij **OK**, aby wyłączyć ekran od razu. Jeśli nie naciśniesz żadnego przycisku, ekran wyłączy się po 15 sekundach.. Naciśnij dowolny przycisk na pilocie lub telewizorze, aby ponownie włączyć ekran.

**Uwaga:** Opcja **wyłączenia ekranu** jest niedostępna, jeśli tryb ustawiony jest na **grę**. W razie, gdy nie będziesz oglądać TV przez dłuższy czas, wyciągnij wtyczkę z kontaktu.

### Przycisk przewijania TV

Przycisk przewijania TV z boku odbiornika pozwala na kontrolę głośności, zmianę kanału i przełączanie TV w tryb oczekiwania.



**Aby zmienić głośność:** Zwiększ głośność przewijając w górę. Zmniejsz głośność przewijając w dół.

**Aby zmienić kanał:**

- Naciśnij środek przycisku przewijania, a na ekranie pojawi się pasek z informacją o kanale.
- Przewijaj zapisane kanały popychając przycisk do góry lub w dół

**Aby zmienić źródło:**

- Naciśnij dwukrotnie środek przycisku (w sumie dwa razy), na ekranie wyświetli się lista źródeł.
- Przewijaj dostępne źródła popychając przycisk do góry lub w dół.

**Aby przełączyć TV w stan oczekiwania:** Naciśnij środek przycisku i przytrzymaj przez kilka sekund - TV przełączy się w tryb oczekiwania.

**Aby włączyć telewizor, kiedy znajduje się on w trybie oczekiwania:** Naciśnij środek przycisku, aby włączyć telewizor.

**Uwagi:**

*Jeśli wyłączysz TV, cykl rozpocznie się ponownie od ustawienia głośności.*

*Menu główne nie może być wyświetlone przy użyciu przycisku kontrolnego.*

### Włączanie/wyłączanie

#### Aby włączyć telewizor

Aby włączyć telewizor, kiedy znajduje się on w trybie oczekiwania:

- Wcisnąć na pilocie przycisk **oczekiwania, program +/-** lub przycisk numeryczny.
- Naciśnij środek bocznego przycisku funkcyjnego.

**Uwaga:** Jeśli TV zostanie pozostawiony sam sobie i nie będzie przez jakiś czas oglądany, przełączy się on w tryb oczekiwania. Gdy następnie włączysz TV, zostanie wyświetlona następująca wiadomość: **"Wyłączony w trybie oszczędzania energii"** Naciśnij **OK**, aby kontynuować.

#### Aby wyłączyć telewizor

- Naciśnij przycisk **Czuwania** na pilocie lub naciśnij i przytrzymaj przez kilka sekund boczny przycisk funkcyjny na telewizorze tak, aby przełączyć telewizor w tryb oczekiwania.

**Uwaga:** Aby całkowicie wyłączyć TV, wyciągnij wtyczkę kabla z gniazdka.

### Pierwsza instalacja

Po włączeniu TV po raz pierwszy pojawi się ekran wyboru języka. Wybierz żądany język i naciśnij **OK**.

**Uwaga:** Jeśli urządzenie USB jest podłączone do telewizora, możesz przed kontynuacją nacisnąć **ZIELONY** przycisk na pilocie, aby załadować dane NVRAM (listę kanałów, preferencje, itp.) z urządzenia USB pobrane z innego telewizora hotelowego Philips. Sprawdź w częściach **"Kopiowanie na USB"** i **"Kopiowanie z USB"** tej instrukcji obsługi w rozdziale **Tryb hotelowy**, znajdującym się na końcu tej instrukcji.

Jeśli na urządzeniu zainstalowany jest plik aktualizacji, możesz przed kontynuacją nacisnąć **CZERWONY** przycisk na pilocie, aby zaktualizować oprogramowanie swojego telewizora. Plik z aktualizacją oprogramowania powinien nazywać się „VES162HE\_upgrade.bin” lub „Philips\_upgrade\_mb110.bin”.

Aktualizacja oprogramowania poprzez urządzenie USB może być dokonana w dowolnym momencie przy użyciu ukrytej kombinacji przycisków **"Menu-1-5-0-5"**.

Ustaw żądane parametry korzystając z przycisków kierunkowych i po zakończeniu naciśnij **OK**, aby kontynuować.

Postępując zgodnie ze wskazówkami na ekranie pierwszej instalacji (FTI) możesz ustawić swój TV wybierając następujące elementy.

### Instalacja anteny cyfrowej

Jeśli wybrana jest opcja **Antena Cyfrowa**, po ukończeniu innych ustawień wstępnych, TV wyszuka naziemne sygnały telewizji cyfrowej.

### Instalacja cyfrowej TV kablowej

Jeśli włączono opcję **Cyfrowej Telewizji Kablowej**, po ukończeniu innych ustawień wstępnych, TV wyszuka cyfrowe sygnały telewizji kablowej. Zgodnie z innymi osobistymi, przed rozpoczęciem wyszukiwania może zostać wyświetlona wiadomość potwierdzająca. W celu automatycznej instalacji w przypadku, gdy dostawca sieci kablowej obsługuje instalację opartą na ID sieci (np. Unitymedia), wybierz **Tak** i naciśnij **OK**.

W przypadku, gdy dostawca sieci kablowej nie obsługuje instalacji opartej na ID sieci, wybierz **Nie**, naciśnij **OK** i postępuj zgodnie z instrukcjami na ekranie.

Na tym ekranie możesz również wybrać zakres częstotliwości. Wprowadź ręcznie zakres częstotliwości, używając przycisków numerycznych.

**Uwaga:** Czas trwania wyszukiwania będzie zależeć od wybranego **Kroku Wyszukiwania**.

### Instalacja TV analogowej

Jeśli wybrana jest opcja **Analogowa**, po ukończeniu innych ustawień wstępnych, TV wyszuka naziemne sygnały telewizji analogowej.

Dodatkowo, możesz ustawić typ nadawania sygnału telewizyjnego, jako swój ulubiony. Podczas procesu wyszukiwania pierwszeństwo przypadkiem wybranym typom audycji, a kanały zostaną umieszczone na początku **listy kanałów**. Po zakończeniu wciśnij **OK** aby kontynuować.

Następnie pojawi się ekran wyboru **Trybu domowego/ Trybu Sklepu**. Dla użytku domowego zaleca się wybranie **Trybu Domowego**.

Po zakończeniu wprowadzania ustawień wstępnych, TV rozpocznie wyszukiwanie dostępnych audycji wybranego typu nadawania sygnału telewizyjnego.

Podczas wyszukiwania pojawi się wiadomość pytająca, czy chcesz posortować kanały według LCN(\*). Wybierz **Tak** i naciśnij **OK**, aby potwierdzić.

(\* ) LCN to system logicznego numerowania kanałów, organizujący dostępne programy zgodnie z rozpoznawalną sekwencją numerów kanałów (jeśli dostępny).

Po zapisaniu wszystkich dostępnych stacji, wyświetlone zostaną wyniki wyszukiwania. Naciśnij **OK** aby kontynuować. Następnie wyświetli się **Edycja Listy Kanałów**. Wciśnij przycisk **Menu**, aby opuścić **Edycję listy kanałów** i oglądać TV.

**Uwaga:** Nie wyłączaj telewizora podczas inicjalizacji pierwszej instalacji. Należy zwrócić uwagę, iż niektóre opcje mogą być niedostępne, zależnie od wybranego kraju.

### Odtwarzanie plików medialnych z pendrive'a USB.

Można wyświetlać zdjęcia, odtwarzać muzykę i filmy przechowywane na dysku USB po jego podłączeniu do TV. Podłącz dysk USB do jednego z wejść USB znajdujących się z tyłu TV. Urządzenie USB zostanie automatycznie rozpoznane przez TV i zostanie wyświetlone menu **przeglądarki mediów**. Można również uzyskać dostęp do menu **przeglądarki mediów** z głównego menu telewizora. Naciśnij przycisk **Menu**, wybierz **przeglądarkę mediów** z listy i naciśnij przycisk **OK** aby wejść.

Po wybraniu odpowiedniego typu mediów w menu głównym **przeglądarki mediów**, naciskając przycisk **Menu** uzyskasz dostęp do opcji menu **obrazu, dźwięku i ustawień**. Ponowne naciśnięcie przycisku **Menu** spowoduje wyjście z tego ekranu. Możesz zmienić ustawienia **przeglądarki mediów** przy pomocy menu **ustawień**.

Aby włączyć funkcję **Automatycznego odtwarzania**, zaznacz tę opcję w menu **Ustawień** i ustaw jako **włączoną** za pomocą przycisków kierunkowych. Gdy ta funkcja jest włączona, telewizor wykrywa podłączone urządzenia USB i wyszukuje na nich pliki multimedialne.

Pliki zdjęć są wyszukiwane w pierwszej kolejności. Jeśli nie zostaną znalezione żadne zdjęcia, program wyszukuje pliki wideo. Jeśli nie zostaną znalezione żadne pliki wideo, program wyszukuje pliki audio.

Po znalezieniu pliku do odtwarzania, format tego pliku zostanie wybrany jako format stałego wyboru i każdy plik w tym formacie zostanie odtworzony w niekończącej się pętli. Użycie pilota, aby wyjść, itp. przerywa odtwarzanie pliku (plików) i przerywa odtwarzanie w pętli.

Jeśli telewizor nie może znaleźć żadnych plików multimedialnych, na ekranie zostanie wyświetlane menu główne przeglądarki mediów. Ustaw **Styl widoku** jako **płaski**, aby wyszukać wszystkie pliki we wszystkich podkatalogach na urządzeniu USB.






**Uwaga:** Jeśli telewizor jest w trybie czuwania, funkcja ta nie będzie dostępna.

**WAŻNE!** Zrób kopię zapasową swoich plików przed podłączeniem do TV. Producent nie ponosi żadnej odpowiedzialności za uszkodzenie plików lub utratę danych. Pewne typy urządzeń USB (np. odtwarzacze MP3), lub dyski twarde/pendrivy mogą nie być kompatybilne z tym odbiornikiem TV.



## Menu przeglądarki mediów

### Obsługa Trybu Pętla/ Losowe

Rozpocznij odtwarzanie, używając przycisku <b>Odtwarzania</b> i uruchom 	Wszystkie pliki wykazu będą nieprzerwanie odtwarzane w pierwotnej kolejności
Rozpocznij odtwarzanie, używając przycisku <b>OK</b> i uruchom 	Plik będzie odtwarzany bez przerwy (powtarzany)
Rozpocznij odtwarzanie, używając przycisku <b>Odtwarzania</b> i uruchom 	Wszystkie pliki wykazu będą odtwarzane raz w kolejności losowej
Rozpocznij odtwarzanie, używając przycisku <b>Odtwarzania</b> i uruchom  , 	Wszystkie pliki wykazu będą nieprzerwanie odtwarzane w tej samej kolejności losowej

## CEC

Ta funkcja pozwala na sterowanie urządzeniami z aktywnym CEC, połączonymi portami HDMI przy pomocy pilota TV.

Najpierw trzeba włączyć funkcję **CEC** w menu **Ustawienia>Więcej**. Naciśnij przycisk **Źródło** i wybierz wejście HDMI podłączonego urządzenia CEC z menu **Listy źródeł**. W przypadku podłączenia nowego urządzenia źródłowego CEC, zostanie ono wymienione w menu źródeł z nazwą własną zamiast nazwą podłączonego portu HDMI (jak np.: Odtwarzacz DVD, Rejestrator 1, itp.).

Pilot TV jest automatycznie zdolny do wykonania głównych funkcji po wybraniu podłączonego źródła HDMI.

Aby przerwać operację i ponownie kontrolować TV za pomocą pilota, należy nacisnąć i przytrzymać na 3 sekundy przycisk "0-Zero" na pilocie. Funkcję tę można też włączyć lub wyłączyć w menu **Ustawienia>Więcej**.

Odbiornik TV obsługuje także funkcję ARC (kanał zwrotny audio). Ta funkcja oznacza łącze audio mające zastąpić inne kable pomiędzy telewizorem a systemem audio (odbiornikiem A/V lub układem głośnikowym).

Przy aktywnej funkcji ARC telewizor nie wycisza automatycznie innych swoich wyjść audio. Dlatego zachodzi konieczność ręcznego zmniejszenia głośności telewizora do zera, jeśli użytkownik życzy sobie słuchać ścieżki dźwiękowej tylko z podłączonego urządzenia audio (tak samo jako w przypadku innych optycznych czy współosiowych wyjść audio). Jeśli zajdzie potrzeba zmiany poziomu głośności podłączonego urządzenia, należy wybrać to urządzenie z listy źródeł. W takim przypadku klawisze kontroli poziomu głośności zostaną przyporządkowane do podłączonego urządzenia audio.

**Uwaga:** ARC obsługiwane jest tylko poprzez wejście HDMI1.

## Sterowanie systemem audio

Pozwala zastosować wzmacniacz/odbiornik audio (Audio Amplifier/Receiver) razem z TV. Głośność można regulować pilotem TV. Aby uruchomić tę funkcję, należy ustawić opcję **głośników** w menu **Ustawienia>Więcej** jako **Wzmacniacz**. Głośniki telewizora zamilkną, a dźwięk oglądanego źródła będzie emitowany z podłączonego systemu audio.

**Uwaga:** Urządzenie audio powinno obsługiwać funkcję System Audio Control, a opcja **CEC** powinna być **włączona**.

### Zmiana ustawień TV

Aby uzyskać dostęp do opcji wymienionych poniżej;

1- Naciśnij przycisk **Menu**

2- Podświetl swój wybór

3- Naciśnij **OK**, aby potwierdzić

### Wyświetl opcje

**Tryb:** Zmienia opcję obrazu na jedną z poniższych: **Kinowy, gra(\*), sport, dynamiczny i naturalny**.

(\* Tryb **gry** może być niedostępny, zależnie od aktualnie wybranego źródła.

**Kontrast:** Ustawia wartości jasności i ciemności obrazu.

**Jasność:** Ustawia wartości jasności obrazu.

**Ostrość:** Ustawia wartości ostrości. Wysoka wartość ostrości może zaowocować czystszy i wyraźniejszym obrazem w zależności od oglądanego programu.

**Kolor:** Ustawia wartości koloru.

**Podświetlenie:** Kontroluje jasność podświetlenia. Funkcja podświetlenia będzie wyłączona, jeśli **oszczędzanie energii** jest ustawione na opcję inną niż **osobiste**.

### Opcje dźwięku

**Objętość:** Ustawia głośność.

**Equalizer:** Wybiera tryb equalizera.

**Balans:** Dopasowuje, czy dźwięk dochodzi głównie z prawego lub lewego głośnika.

**Słuchawki:** Ustawia głośność słuchawek. Opcja ta będzie nieaktywna, jeśli opcja **słuchawki/wyjście audio** jest ustawiona na **wyjście audio**.

**Tryb dźwięku:** Ustawia wybrany tryb dźwięku.

**AVL:** Ogranicza maksymalną głośność dźwięku.

**Słuchawki/Wyjście audio:** Opcja ta powinna być ustawiona na **słuchawki**, jeśli są podłączone, lub na **wyjście audio**, jeśli wzmacniacz jest podłączony do wyjścia słuchawkowego.

**Basy dynamiczne:** Włącza lub wyłącza basy dynamiczne. Zwiększa zakres basów.

**Dźwięk przestrzenny:** Dźwięk przestrzenny może być Włączony lub Wyłączony.

**Wyjście cyfrowe:** Ustawia tryb audio wyjścia cyfrowego.

### **Konfiguracja ustawień kontroli rodzicielskiej**

Funkcja ta ogranicza dostęp do wybranych programów. Jest kontrolowana przez ustawiony przez Ciebie PIN. Ustawienia te można odnaleźć w menu **Ustawienia>Rodzicielskie**.

**Uwaga:** Domyślny PIN może być ustawiony na **0000** lub **1234**. Jeśli określono PIN (jest wymagany w zależności od wybranego kraju) podczas **Pierwszej Instalacji**, użyj go.

Niektóre opcje mogą być niedostępne, zależnie od wybranego kraju przy **Pierwszej Instalacji**.

**Blokada menu:** Ustawienie blokady menu umożliwia lub uniemożliwia dostęp do menu.

**Blokada wiekowa (opcja):** Gdy opcja jest aktywna, TV pobiera ze stacji nadawczej informacje o poziomie klasyfikacji treści programów i jeśli ten poziom jest wyłączony, uniemożliwia dostęp do audycji.

**Blokada klawiszy (opcja):** Kiedy blokada dziecięca zostanie włączona, telewizor będzie mógł być sterowany jedynie za pomocą pilota. W tym przypadku przyciski na panelu sterowania nie będą działać.

**Wytyczne (opcjonalnie):** Ustawienie to pozwala na uzyskanie dostępu lub też go blokuje dla niektórych aplikacji MHEG. Zablokowane aplikacje mogą zostać uwolnione po wprowadzeniu właściwego kodu PIN.

**Ustawianie kodu PIN:** Definiuje nowy numer PIN.

**Domyślny PIN CICAM:** Opcja ta będzie zacięta, jeśli moduł CI nie będzie obecny w gnieździe CI telewizora. Korzystając z tej opcji można zmienić domyślny PIN CI CAM.

### **Elektroniczny przewodnik po programach (EPG)**

Niektóre kanały przesyłają informacje na temat ich programu. Naciśnij przycisk **Epg**, aby wyświetlić menu EPG.

Dostępne są 3 tryby wyświetlania programu: **wg godziny**, **listy** i **teraz/następny**. Aby przełączać pomiędzy nimi, stosuj się do poleceń znajdujących się u dołu ekranu.

#### **Program godzinny**

**Zoom (żółty przycisk):** Naciśnij żółty przycisk, aby zobaczyć programy w większym przedziale czasowym.

**Filtr (niebieski przycisk):** Wyświetla opcje filtrowania.

**Wybierz typ (przycisk Subtitles):** Wyświetla menu **wyboru typu audycji**. Przy pomocy tej funkcji można przeszukać bazę danych przewodnika po programach zgodnie z wybranym rodzajem programu. Informacje dostępne w przewodniku po programach zostaną przeszukane i podświetlone zostaną wyniki odpowiadające wprowadzonym kryteriom.

**Opcje (przycisk OK):** Wyświetla opcje programu.

**Szczegóły programu (przycisk Info):** Wyświetla szczegółowe informacje o wybranych programach.

**Następny/poprzedni dzień (przyciski Program +/-):** Wyświetla programy na poprzedni lub następny dzień.

**Wyszukiwanie (przycisk Text):** Wyświetla menu **Wyszukiwania w przewodniku**.

**Teraz (przycisk Swap):** Wyświetla bieżący program na podświetlonym kanale.

#### **Program lista(\*)**

(\*) W tej opcji wyświetlania, będą pokazane tylko programy na podświetlonym kanale.

**Poprz. Przedział czasu (czerwony przycisk):** Wyświetla programy z poprzedniego wycinka czasu.

**Następny/poprzedni dzień (przyciski Program +/-):** Wyświetla programy na poprzedni lub następny dzień.

**Szczegóły programu (przycisk Info):** Wyświetla szczegółowe informacje o wybranych programach.

**Filtr (przycisk Text):** Wyświetla opcje filtrowania.

**Następny przedział czasu (zielony przycisk):** Wyświetla programy z następnego wycinka czasu.

**Opcje (przycisk OK):** Wyświetla opcje programu.

#### **Teraz/Następny program**

**Nawigacja (przyciski kierunkowe):** Naciśnij **przyciski kierunkowe**, aby poruszać się po kanałach i programach.

**Opcje (przycisk OK):** Wyświetla opcje programu.

**Szczegóły programu (przycisk Info):** Wyświetla szczegółowe informacje o wybranych programach.

**Filtr (niebieski przycisk):** Wyświetla opcje filtrowania.

#### **Opcje programów**

W menu EPG, naciśnij przycisk **OK**, aby otworzyć menu **Opcje programów**.

**Wybór kanału:** Używając tej opcji w menu EPG, możesz przełączyć na wybrany kanał.

**Zaprogramowane nagranie audycji / Usuń zaprogramowane nagranie audycji:** Po wybraniu programu w menu EPG naciśnij przycisk **OK**. Wybierz opcję

**Ustaw timer dla programu** i naciśnij przycisk **OK**.

Możesz ustawić timer dla przyszłych programów. Aby usunąć ustawiony timer, podświetl dany program i naciśnij przycisk **OK**. Następnie, wybierz opcję **Usuń timer programu**. Timer zostanie usunięty.

#### **Aktualizacja TV**

Przejdź do menu głównego, wybierz **Ustawienia>Więcej** i wyświetl wersję aktualnego oprogramowania.

**OSTROŻNIE:** Nie instaluj wersji oprogramowania niższej od aktualnie zainstalowanej. TP Vision nie ponosi odpowiedzialności za problemy spowodowane zainstalowaniem starszej wersji oprogramowania.

#### **Aktualizacja za pomocą USB**

Przed aktualizacją upewnij się, że posiadasz:

- Pendrive USB z co najmniej 256 MB wolnego miejsca sformatowanego w systemie FAT32 lub DOS, oraz z wyłączoną ochroną zapisu.
- Dostęp do komputera z wejściem USB i dostępem do Internetu.

Przejdź na stronę [www.philips.com/support](http://www.philips.com/support) i postępuj zgodnie ze wskazówkami dotyczącymi aktualizacji oprogramowania.

### **Automatyczna aktualizacja poprzez cyfrowy sygnał telewizyjny**

Podczas gdy TV odbiera sygnał antenowy. Jeśli włączone jest **automatyczne wyszukiwanie** w menu **opcji aktualizacji**, telewizor włącza się o 3 nad ranem i przeszukuje kanały w celu odnalezienia nowych aktualizacji. Jeśli aktualizacja jest odnaleziona i pobrana pomyślnie, przy następnym włączeniu telewizora jest ona aktywowana. Aby otworzyć menu **opcji aktualizacji**, wejdź w menu **Ustawienia>Więcej**, zaznacz **Aktualizacja oprogramowania** i naciśnij przycisk **OK**.

***Uwaga:** Nie odłączać kabla zasilania, gdy miga kontrolka LED w trakcie procesu restartu (reboot). Jeśli po aktualizacji TV nie będzie chciał się włączyć, wyciągnij na 2 minuty wtyczkę z kontaktu i włącz go ponownie.*

## **Rozwiązywanie problemów i wskazówki**

### **TV nie chce się włączyć**

Upewnij się, że wtyczka jest bezpiecznie włożona do gniazdka. Sprawdź, czy nie wyczerpały się baterie. Naciśnij włącznik na TV.

### **Słaba jakość obrazu**

- Sprawdź, czy wybrany został prawidłowy system TV.
- Słaby sygnał może spowodować zakłócenia obrazu. Sprawdź antenę.
- Sprawdź, czy wprowadziłeś właściwą częstotliwość kanału, jeśli dostrajałeś TV manualnie.
- Jakość obrazu może się pogorszyć, gdy dwa urządzenia są podłączone do telewizora w tym samym czasie. W takim przypadku proszę odłączyć jedno z urządzeń.

### **Brak obrazu**

- Może to oznaczać, że telewizor nie otrzymuje sygnału transmisji. Upewnij się, że zostało wybrane prawidłowe źródło.
- Czy antena jest podłączona prawidłowo?
- Czy kabel anteny jest uszkodzony?
- Czy do podłączenia anteny użyto odpowiednich wtyczek?
- W przypadku wątpliwości proszę się skonsultować ze sprzedawcą.

### **Brak dźwięku**

- Sprawdź, czy dźwięk nie jest wyłączony. Aby to sprawdzić, naciśnij przycisk **Wyłączanie dźwięku** lub zwiększ poziom głośności.
- Dźwięk może dochodzić tylko z jednego głośnika. Sprawdź ustawienia balansu w menu **dźwięku**.

### **Pilot nie działa**

- Być może wyczerpały się baterie. Wymień baterie.

### **Nie można wybrać źródła**

- Jeżeli nie można wybrać źródła wejścia, być może nie zostało podłączone żadne urządzenie. Jeśli nie;
- Sprawdź kable AV i podłączenia, jeśli próbujesz przełączyć na wejście źródła podłączonego urządzenia.

## Specyfikacje

<b>Transmisje telewizyjne</b>	PAL BG/DK/II' SECAM BG/DK			
<b>Kanały odbioru</b>	VHF (ZAKRES I/III) UHF (ZAKRES U)- HYPERBAND			
<b>Odbiór cyfrowy</b>	Całkowicie zintegrowana naziemna telewizja cyfrowa (DVB-T-C) (Zgodność z DVB-T2)			
<b>Liczba ustawionych fabrycznie kanałów</b>	1.000			
<b>Wskaźnik kanału</b>	OSD			
<b>Wejście anteny RF</b>	75 Ohm (niezbalansowane)			
<b>Napięcie robocze</b>	220-240V AC, 50Hz.			
<b>Dźwięk</b>	Niemiecki +Nicam Stereo			
<b>Wyświetla</b>	24"	32"	43"	49"
<b>Moc wyjściowa audio (WRMS.) (10% THD)</b>	2x2,5W	2x6W	2x8W	2x8W
<b>Zużycie energii (W)</b>	45W	65W	75W	75W
<b>Waga (kg)</b>	3,45 kg	5,60 kg	9,30 kg	11,35 kg
<b>Wymiary telewizora GxDxW (z podstawą) (mm)</b>	134x554x370 mm	185x735x478 mm	220x974x615 mm	220x1112x692 mm
<b>Wymiary telewizora GxDxW (bez podstawy) (mm)</b>	35(min)/61(max)x554x339mm	77(min)/89(max)x735x438mm	64(min)/93(max)x974x572mm	60(min)/91(max)x1112x653mm
<b>Temperatura i wilgotność pracy:</b>	0°C do 40°C, 85% maks. rel. wilg.			

## Typowe tryby wyświetlania dla wejścia PC

Poniższa tabela przedstawia niektóre podstawowe tryby obrazu.

Indeks	Rozdzielczość	Częstotliwość
1	640x350	85Hz
2	640x400	70Hz
3	640x480	60Hz
4	640x480	66Hz
5	640x480	72Hz
6	640x480	75Hz
7	640x480	85Hz
8	800x600	56Hz
9	800x600	60Hz
10	800x600	70Hz
11	800x600	72Hz
12	800x600	75Hz
13	800x600	85Hz
14	832x624	75Hz
15	1024x768	60Hz
16	1024x768	66Hz
17	1024x768	70Hz
18	1024x768	72Hz
19	1024x768	75Hz
20	1024x768	85Hz
21	1152x864	60Hz
22	1152x864	70Hz
23	1152x864	75Hz
24	1152x864	85Hz
25	1152x870	75Hz
26	1280x768	60Hz
27	1360x768	60Hz
28	1280x768	75Hz
29	1280x768	85Hz
30	1280x960	60Hz
31	1280x960	75Hz
32	1280x960	85Hz
33	1280x1024	60Hz
34	1280x1024	75Hz
35	1280x1024	85Hz
36	1400x1050	60Hz
37	1400x1050	75Hz
38	1400x1050	85Hz
39	1440x900	60Hz
40	1440x900	75Hz
41	1600x1200	60Hz
42	1680x1050	60Hz
43	1920x1080	60Hz
44	1920x1200	60Hz

## Kompatybilność sygnału AV i HDMI

Źródło	Obsługiwane sygnały		Dostępne
EXT (SCART)	PAL		O
	SECAM		O
	NTSC4.43		O
	NTSC3.58		O
Boczne AV	PAL		O
	SECAM		O
	NTSC4.43		O
	NTSC3.58		O
PC/YPbPr	480i, 480p	60Hz	O
	576i, 576p	50Hz	O
	720p	50Hz,60Hz	O
	1080i	50Hz,60Hz	O
HDMI	480i, 480p	60Hz	O
	576i, 576p	50Hz	O
	720p	50Hz,60Hz	O
	1080i	50Hz,60Hz	O
	1080p	24Hz, 25Hz, 30Hz, 50Hz, 60Hz	O

## Obsługiwane formaty plików wideo dla trybu USB

Rozszerzenie	Kodek wideo	SPEC (rozdzielczość) i prędkość transmisji
.dat, vob	MPEG1/2	1080P@30fps - 40 Mbps
.mpg, .mpeg	MPEG1/2, MPEG4	
.ts, .trp, .tp	MPEG1/2, H.264, AVS, MVC	<b>H.264:</b> 1080Px2@30fps - 62,5 Mbps, 1080P@60fps - 62,5 Mbps <b>MVC:</b> 1080P@30fps - 62,5 Mbps <b>Inne:</b> 1080P@30fps - 40Mbps
.mp4, .mov, .3gpp, .3gp	MPEG1/2, MPEG4, H.263, H.264, ruchomy JPEG	<b>H.264:</b> 1080Px2@30fps - 62,5 Mbps, 1080P@60fps - 62,5 Mbps <b>ruchomy JPEG:</b> 640x480@30fps - 10 Mbps <b>Inne:</b> 1080P@30fps - 40 Mbps
.avi	MPEG1/2, MPEG4, Sorenson H.263, H.263, H.264, WMV3, ruchomy JPEG	
.mkv	MPEG1/2, MPEG4, H.263, H.264, WMV3, ruchomy JPEG	
.asf	Sorenson H.263, H.264, WMV3, ruchomy JPEG	
.flv	WMV3	1080P@30fps - 40 Mbps
.swf	RV30/RV40	1080P@30fps - 40 Mbps
.wmv		
.mp4, .mov, .3gpp, .3gp, strumień transportowy MPEG, .ts, .trp, .tp, .mkv	HEVC/H.265	1080P@60fps - 50Mbps

## Obsługiwane formaty plików graficznych dla trybu USB

Obraz	Zdjęcie	Rozdzielczość (szerokość x wysokość)	Uwaga
JPEG	Linia bazowa	15360x8640	Limit maksymalnej rozdzielczości zależy od rozmiaru DRAM
	Progresywna	1024x768	
PNG	bez przeplotu	9600x6400	
	z przeplotem	1200x800	
BMP		9600x6400	

## Obsługiwane formaty plików audio dla trybu USB

Rozszerzenie	Kodek audio	Prędkość transmisji	Częstotliwość próbkowania
.mp3,	MPEG1/2 Layer1	32Kbps ~ 448Kbps	16KHz ~ 48KHz
	MPEG1/2 Layer2	8Kbps ~ 384Kbps	
	MPEG1/2 Layer3	8Kbps ~ 320Kbps	
.avi	MPEG1/2 Layer1	32Kbps ~ 448Kbps	16KHz ~ 48KHz
	MPEG1/2 Layer2	8Kbps ~ 384Kbps	
	MPEG1/2 Layer3	8Kbps ~ 320Kbps	
	AC3	32Kbps ~ 640Kbps	32KHz, 44,1KHz, 48KHz
	AAC, HEAAC		8KHz ~ 48KHz
	WMA	128bps ~ 320Kbps	8KHz ~ 48KHz
	WMA 10 Pro M0	< 192kbps	48KHz
	WMA 10 Pro M1	< 384kbps	48KHz
	WMA 10 Pro M2	< 768kbps	96KHz
	LPCM	64Kbps ~ 1.5Mbps	8KHz ~ 48KHz
	IMA-ADPCM, MS-ADPCM	384Kbps	8KHz ~ 48KHz
G711 A/mu-law	64Kbps ~ 128Kbps	8KHz	
.asf	MPEG1/2 Layer1	32Kbps ~ 448Kbps	16KHz ~ 48KHz
	MPEG1/2 Layer2	8Kbps ~ 384Kbps	
	MPEG1/2 Layer3	8Kbps ~ 320Kbps	
	WMA	128bps ~ 320Kbps	8KHz ~ 48KHz
	WMA 10 Pro M0	< 192kbps	48KHz
	WMA 10 Pro M1	< 384kbps	48KHz
	WMA 10 Pro M2	< 768kbps	96KHz
.mkv, .mka	MPEG1/2 Layer1	32Kbps ~ 448Kbps	16KHz ~ 48KHz
	MPEG1/2 Layer2	8Kbps ~ 384Kbps	
	MPEG1/2 Layer3	8Kbps ~ 320Kbps	
	AC3	32Kbps ~ 640Kbps	32KHz, 44,1KHz, 48KHz
	AAC, HEAAC		8KHz ~ 48KHz
	WMA	128bps ~ 320Kbps	8KHz ~ 48KHz
	WMA 10 Pro M0	< 192kbps	48KHz
	WMA 10 Pro M1	< 384kbps	48KHz
	WMA 10 Pro M2	< 768kbps	96KHz
	VORBIS		Do 48KHz
	LPCM	64Kbps ~ 1.5Mbps	8KHz ~ 48KHz
	IMA-ADPCM, MS-ADPCM	384Kbps	8KHz ~ 48KHz
	G711 A/mu-law	64Kbps ~ 128Kbps	8KHz
	FLAC	< 1.6Mbps	8KHz ~ 96KHz
.ts, .trp, .tp, .dat, .vob, .mpg, .mpeg	MPEG1/2 Layer1	32Kbps ~ 448Kbps	16KHz ~ 48KHz
	MPEG1/2 Layer2	8Kbps ~ 384Kbps	
	MPEG1/2 Layer3	8Kbps ~ 320Kbps	
	AC3	32Kbps ~ 640Kbps	32KHz, 44,1KHz, 48KHz
	EAC3	32Kbps ~ 6Mbps	32KHz, 44,1KHz, 48KHz
	AAC, HEAAC		8KHz ~ 48KHz
	LPCM	64Kbps ~ 1.5Mbps	8KHz ~ 48KHz

Rozszerzenie	Kodek audio	Prędkość transmisji	Częstotliwość próbkowania
.wav	MPEG1/2 Layer1	32Kbps ~ 448Kbps	16KHz ~ 48KHz
	MPEG1/2 Layer2	8Kbps ~ 384Kbps	
	MPEG1/2 Layer3	8Kbps ~ 320Kbps	
	LPCM	64Kbps ~ 1.5Mbps	8KHz ~ 48KHz
	IMA-ADPCM, MS-ADPCM	384Kbps	8KHz ~ 48KHz
.3gpp, .3gp, .mp4, .mov, .m4a	G711 A/mu-law	64Kbps ~ 128Kbps	8KHz
	MPEG1/2 Layer3	8Kbps ~ 320Kbps	16KHz ~ 48KHz
	AC3	32Kbps ~ 640Kbps	32KHz, 44,1KHz, 48KHz
	EAC3	32Kbps ~ 6Mbps	32KHz, 44,1KHz, 48KHz
	AAC, HEAAC		8KHz ~ 48KHz
	VORBIS		Do 48KHz
	LPCM	64Kbps ~ 1.5Mbps	8KHz ~ 48KHz
	IMA-ADPCM, MS-ADPCM	384Kbps	8KHz ~ 48KHz
.flv	G711 A/mu-law	64Kbps ~ 128Kbps	8KHz
	MPEG1/2 Layer3	8Kbps ~ 320Kbps	16KHz ~ 48KHz
.ac3	AAC, HEAAC		8KHz ~ 48KHz
	AC3	32Kbps ~ 640Kbps	32KHz, 44,1KHz, 48KHz
.swf	AAC, HEAAC		8KHz ~ 48KHz
.ec3	MPEG1/2 Layer3	8Kbps ~ 320Kbps	16KHz ~ 48KHz
.rm, .rmvb, .ra	EAC3	32Kbps ~ 6Mbps	32KHz, 44,1KHz, 48KHz
	AAC, HEAAC		8KHz ~ 48KHz
.wma, .wmv	LBR (cook)	6Kbps ~ 128Kbps	8KHz, 11.025KHz, 22.05KHz, 44.1KHz
	WMA	128bps ~ 320Kbps	8KHz ~ 48KHz
	WMA 10 Pro M0	< 192kbps	48KHz
	WMA 10 Pro M1	< 384kbps	48KHz
.webm	WMA 10 Pro M2	< 768kbps	96KHz
	VORBIS		Do 48KHz

## Obsługiwane formaty plików napisów dla trybu USB

Napisy wewnętrzne		
Rozszerzenie	Kontener	Kod napisów
dat, mpg, mpeg, vob	MPG, MPEG	Napisy DVD
ts, trp, tp	TS	Napisy DVB
mp4	MP4	Napisy DVD Zwykły tekst UTF-8
mkv	MKV	ASS SSA Zwykły tekst UTF-8 VobSub Napisy DVD

Napisy zewn.		
Rozszerzenie	Parser napisów	Uwaga
.srt	Subrip	
.ssa/ .ass	SubStation Alpha	
.smi	SAMI	
.sub	SubViewer MicroDVD DVDSubtitleSystem SubIdx (VobSub)	Tylko SubViewer 1.0 oraz 2.0
.txt	TMPlayer	



## Зміст

Повідомлення, функції та аксесуари .....	4
Енергоефективність .....	4
Кнопка прокрутки телевізора .....	4
Увімкнення / вимкнення .....	4
Початкова установка .....	4
Відтворювання медіа-файлів з USB-диска .....	5
Меню медіа-браузера .....	6
СЕС .....	6
Зміна налаштувань телевізора .....	6
Параметри відображення .....	6
Параметри звуку .....	7
Налаштування параметрів батьківського контролю .....	7
Електронний телегід (EPG) .....	7
Оновлення ПЗ телевізора .....	8
Пошук і усунення несправностей та рекомендації .....	8
Типові режими відображення вхідних даних ПК .....	11
Сумісність сигналів AV та HDMI .....	11
Підтримувані формати файлів у режимі USB ..	12
Підтримувані формати файлів зображень для режиму USB .....	12
Підтримувані формати файлів аудіо для режиму USB .....	13
Підтримувані формати файлів субтитрів для режиму USB .....	14

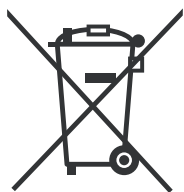
## Важливо

Перед установкою і використанням телевізора уважно прочитайте та зрозумійте всю інформацію, що викладена у доданому Буклеті з питань безпеки. Гарантія не поширюється на пошкодження, що виникли внаслідок недотримання цих інструкцій.

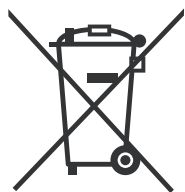
### Утилізація старого обладнання та батарей

Не викидайте цей телевізор або батареї разом зі звичайним побутовим сміттям. Щоб утилізувати цей продукт або батарею, зверніться до системи збору відходів або до підприємства з переробки відповідних відходів.

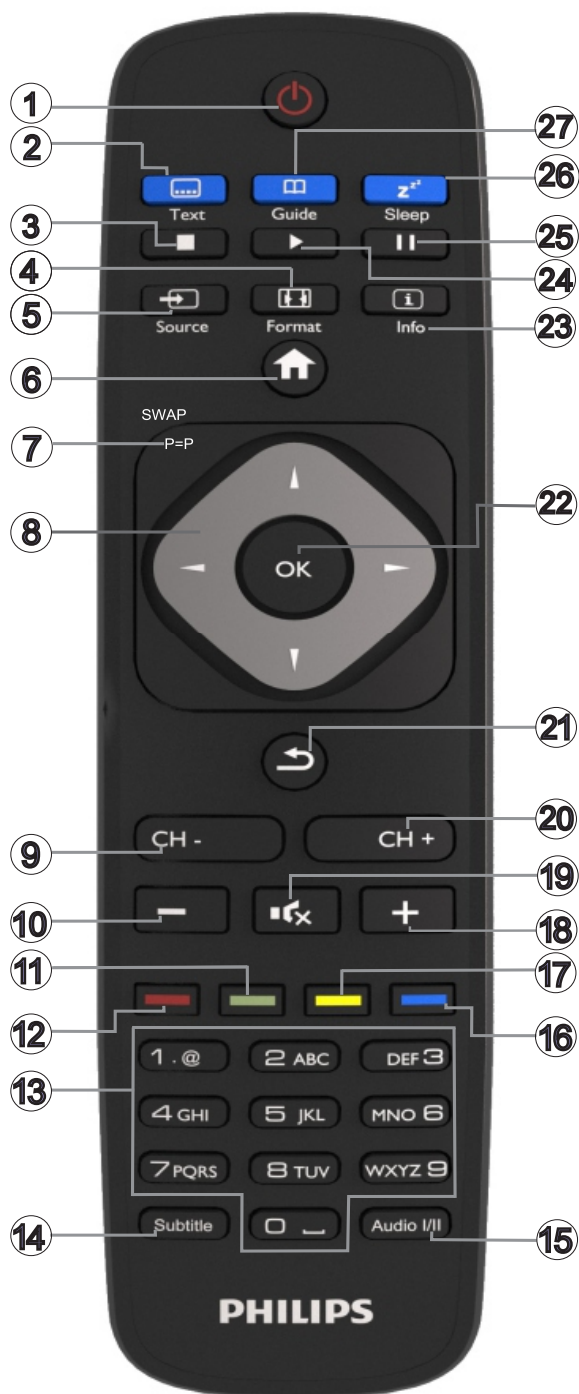
**Примітка:** Знак Pb нижче символу батарей означає, що батарея містить свинець.



**Вироби**



**Акумулятор**



### Телетекст

Щоб переглянути інформацію у вигляді телетексту, натисніть кнопку **Text**. Натисніть ще раз, щоб активувати режим змішування, який дозволяє бачити сторінки телетексту і телевізійного каналу одночасно. Щоб вийти з цього режиму, натисніть кнопку ще раз. У разі наявності, розділи або сторінки телетексту мають кольорове кодування, тому їх можна вибирати за допомогою кольорових кнопок. Для перегляду сторінок використовуються кнопки **Програма +/-**. Метод роботи може різнитися залежно від вмісту цифрового телетексту. Дотримуйтеся інструкцій на екрані.

1. **Режим очікування:** Увімкнення / вимкнення телевізора
2. **Текст:** Відображення телетексту; знову натисніть кнопку, щоб накласти текст на зображення програми (мікс)
3. **Стоп:** Зупиняє відтворення носія
4. **Екран:** Змінює формат зображення на екрані
5. **Джерело:** Показує всі доступні програми та джерела
6. **Меню:** Відображує меню телевізора
7. **Заміна:** Швидке перемикавання між попереднім і поточним каналами або джерелами

Якщо **Режим готель увімкнено**, шляхом натискання цієї кнопки можна перемикатися між наступними типами каналів телевізійної мережі: DVB-T&Analogue, DVB-Cable&Analogue і DVB-Satellite&Analogue

8. **Навігаційні кнопки:** Допомогає переходити по меню, змісту і т. п., відображує підсторінки в режимі TXT при натисканні кнопки Вправо або Вліво
9. **Програма -/Сторінка -** (у режимі TXT)
10. **Гучність -**
11. **Зелена кнопка:** Дотримуйтеся інструкцій на екрані щодо функцій кольорових кнопок
12. **Червона кнопка:** Дотримуйтеся інструкцій на екрані щодо функцій кольорових кнопок
13. **Цифрові кнопки:** Перемикає канали, вводить цифру або букву в текстове поле на екрані.
14. **Зовнішні субтитри:** Вмикає або вимикає субтитри (за наявності)
15. **Мова:** Перемикає між режимами звуку (аналогове телебачення), відображення та зміна мови аудіо/субтитрів (цифрове телебачення, за наявності)
16. **Синя кнопка:** Дотримуйтеся інструкцій на екрані щодо функцій кольорових кнопок
17. **Жовта кнопка:** Дотримуйтеся інструкцій на екрані щодо функцій кольорових кнопок
18. **Гучність +**
19. **Вимкнути звук:** Повністю вимикає гучність телевізора
20. **Програма +/Сторінка +** (у режимі TXT)
21. **Повернення/Назад:** Перехід до попереднього екрану, відкриття індексної сторінки (у режимі TXT)
22. **OK:** Підтвердження вибору користувача, фіксування сторінки (у режимі TXT), перегляд списку каналів
23. **Інформація:** Відображує інформацію про відтворюваний матеріал, показує приховану інформацію (розкриває - у режимі TXT)
24. **Відтворити:** Відтворення обраного елемента
25. **Пауза:** Зупиняє відтворення
26. **Режим сну:** Встановлює автоматичне вимкнення телевізора
27. **EPG (Електронна програма передач):** Відкриває електронну програму передач

- Зауваження:** Дальність дії пульта дистанційного керування становить приблизно 7 м/23 фути.

## Повідомлення, функції та аксесуари

### Енергоефективність

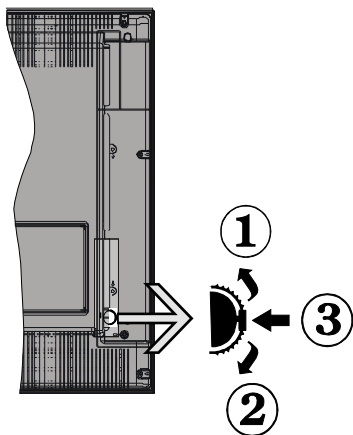
Цей телевізор розроблений із підтримкою функцій збереження енергії:

- **Режим збереження енергії:** Можна застосовувати комбінацію енергозберігаючих налаштувань зображення. Під час перегляду телевізора натисніть кнопку **Меню**; параметри режиму **Збереження енергії** знаходяться в розділі **Зображення** головного меню.
- **Режим вимкнення зображення:** Якщо ви хочете слухати лише звук з телевізора, екран можна вимкнути. Інші функції будуть працювати в нормальному режимі. В режимі перегляду телевізійної передачі натисніть кнопку **Меню** і виберіть пункт **Зображення**, потім з переліку параметрів виберіть режим **Збереження енергії**. Натисніть праву кнопку, якщо вибрано параметр **Автоматичний**, або ліву кнопку, якщо вибрано параметр **Настроюваний**. На екрані з'явиться повідомлення. Щоб вимкнути екран негайно, виберіть пункт **Продовжити** та натисніть кнопку **ОК**. Якщо не натискати жодну кнопку, екран вимкнеться через 15 секунд. Щоб увімкнути екран, натисніть будь-яку кнопку на пульті або телевізорі.

***Зауваження:** Режим **Вимкн. екрану** недоступний, якщо значення параметру режим встановлено в **Гра**. Якщо телевізор не буде використовуватися тривалий час, від'єднайте його електромережі.*

### Кнопка прокрутки телевізора

Кнопка прокрутки на бічній панелі телевізора дозволяє регулювати гучність, перемикає канали та перемикає телевізор у режим очікування.



**Регулювання рівня гучності:** Гучність збільшується шляхом прокрутки вгору. Гучність зменшується шляхом прокрутки вниз.

**Щоб змінити канал:**

- Натисніть середню частину кнопки прокрутки, на екрані з'явиться інформаційний банер каналу.

- Список збережених каналів можна прокручувати вгору або вниз шляхом натискання кнопки.

**Щоб змінити джерело:**

- Двічі натисніть середню частину кнопки (загалом вдруге) — на екрані відобразиться список джерел.
- Список доступних джерел можна прокручувати вгору або вниз шляхом натискання кнопки.

**Щоб перемкнути телевізор в режим очікування:** Натисніть середню частину кнопки і утримуйте її протягом декількох секунд — телевізор перейде в режим очікування.

**Щоб увімкнути телевізор, який знаходиться в режимі очікування:** Натисніть середню частину кнопки — телевізор увімкнеться.

**Примітки:**

*Якщо ви вимкнете телевізор, цей цикл почнеться заново, починаючи з налаштування гучності.*

*Головне екранне меню не можна викликати кнопкою управління.*

### Увімкнення / вимкнення

**Щоб увімкнути телевізор**

Щоб увімкнути телевізор, який знаходиться в режимі очікування:

- Спочатку натисніть кнопку **Режим очікування**, а потім кнопку **Програма +/-** або цифрову кнопку на пульті дистанційного керування.
- Натисніть середину функціонального перемикача на боковій панелі телевізора.

***Зауваження:** Якщо телевізор залишився увімкненим і ним не користувались деякий час, він перейде в режим очікування. При наступному вмиканні пристрою з'явиться повідомлення: «**Режим очікування через відсутність сигналу**», для продовження натисніть **ОК**.*

**Вимкнення телевізора**

- Натисніть кнопку **Режим очікування** або цифрову кнопку на пульті дистанційного керування, або натисніть середню клавішу функціонального перемикача і утримуйте її натиснутою протягом декількох секунд, доки телевізор не перемкнеться в режим очікування.

***Зауваження:** Щоб повністю вимкнути телевізор, від'єднайте шнур живлення від розетки.*

### Початкова установка

При першому вмиканні ви побачите екран вибору мови. Виберіть бажану мову та натисніть кнопку **ОК**.

***Зауваження:** Якщо пристрій USB підключено до телевізора, перш ніж продовжити ви можете натиснути кнопку **Зелена** на пульті дистанційного керування, щоб завантажити дані, які зберігаються в енергонезалежній пам'яті NVRAM (список послуг,*

уподобання і т. д.) пристрою USB, завантажені з іншого готельного телевізора Philips. Див. розділи «Копіювання на USB» і «Копіювання з USB», які знаходяться під заголовком **Режим готель** в кінці цього керівництва.

Якщо на пристрої USB встановлено відповідний файл для оновлення програмного забезпечення, перш ніж продовжити ви можете натиснути кнопку **Червона** на пульті дистанційного керування, щоб оновити програмне забезпечення телевізора. Файл для оновлення програмного забезпечення називається «VES162HE\_upgrade.bin» або «Philips\_upgrade\_mb110.bin».

Оновлення програмного забезпечення за допомогою пристрою USB можна виконати в будь-який час за допомогою прихованої комбінації клавіш: «**Меню-1-5-0-5**».

На наступному відображеному екрані встановіть свої уподобання кнопками напрямку та натисніть **ОК** для продовження.

Налаштування телевізора можна зробити у вікні початкової установки (FTI) з використанням наведених нижче параметрів.

#### **Встановлення підключення до каналів цифрового ефірного телебачення**

Якщо вибрано тип мовлення **Цифрове ефірне**, після завершення інших початкових настройок для телевізора стане можливим пошук каналів цифрового ефірного мовлення.

#### **Встановлення підключення до каналів цифрового кабельного телебачення**

Якщо вибрано тип мовлення **Цифрове кабельне**, після завершення інших початкових настройок для телевізора стане можливим пошук каналів цифрового кабельного мовлення. Відповідно до інших уподобань перед початком пошуку може відобразитися підтвердження. Щоб забезпечити автоматичне налаштування, якщо ваш провайдер кабельної мережі підтримує налаштування на основі ідентифікаторів мережі (наприклад, провайдер Unitymedia), виберіть **Так** і натисніть кнопку **ОК**.

Якщо ваш провайдер кабельної мережі не підтримує налаштування на основі ідентифікаторів мережі, виберіть **Ні**, натисніть **ОК** і дотримуйтеся інструкцій на екрані.

У цьому вікні можна також обрати діапазон частот. Введіть діапазон частот вручну цифровими кнопками на ПДК.

**Зауваження:** Тривалість пошуку залежить від обраного **Кроку пошуку**.

#### **Встановлення підключення до каналів аналогового телебачення**

Якщо вибрано тип мовлення **Аналогове**, після завершення інших початкових настройок для

телевізора стане можливим пошук каналів аналогового мовлення.

Крім того, можна встановити улюблений тип мовлення. Пріоритет у процесі пошуку буде віддаватися обраному типу мовлення і знайдені канали цього типу будуть у **Списку каналів** першими. Після закінчення натисніть кнопку **ОК** для продовження.

Після цього відкриється вікно вибору **Режим дім/Режим магазин**. Для домашнього використання рекомендується вибрати **Режим дім**.

Після завершення початкових настройок для телевізора почнеться пошук доступних каналів обраних типів мовлення.

Під час пошуку може з'явитися повідомлення із запитом, чи слід сортувати канали за LCN(\*). Оберіть відповідь **Так** і натисніть кнопку **ОК** для підтвердження.

(\* ) LCN – це система логічного нумерування каналів, яка організовує доступні канали відповідно до розпізнаваної послідовності (у разі наявності).

Після збереження всіх доступних каналів на екрані з'явиться результат пошуку. Для продовження натисніть кнопку **ОК**. Після цього відобразиться меню **Редагування списку каналів**. Натисніть кнопку **Меню**, щоб вийти з режиму **Редагування списку каналів** та почати перегляд телевізора.

**Зауваження:** Не вимикайте телевізор у процесі початкової установки. Зверніть увагу, що деякі параметри можуть бути недоступними в залежності від вибраної країни.

#### **Відтворювання медіа-файлів з USB-диска**

Можна відтворювати фотографії, музику і відеофайли, що зберігаються на USB-диску, якщо під'єднати його до телевізора. Під'єднайте USB-диск до одного із вхідних USB-роз'ємів, що знаходяться на задній панелі телевізора. Пристрій USB автоматично розпізнається телевізором і відображається меню **Медіа-браузер**. Доступ до меню **Медіа-браузер** можна також отримати з головного меню телевізора. Натисніть кнопку **Меню**, виберіть **Медіа-браузер** з переліку і натисніть кнопку **ОК**, щоб увійти.

Після вибору потрібного типу медіа в головному меню **Медіа-браузер** і натискання кнопки **Меню** становляться доступними пункти меню **Зображення**, **Звук** і **Налаштування**. Повторне натискання кнопки **Меню** закриває поточне вікно. Ви можете встановити ваші уподобання для **Медіа-браузера** за допомогою меню **Налаштування**.

Щоб увімкнути режим **Автоматичне відтворення**, виділіть цей пункт в меню **Налаштування** і виберіть значення **Увімкн.** за допомогою кнопок напрямку. Після увімкнення цього режиму

телевізора виконується процедура виявлення підключених пристроїв USB і пошук медіа-файлів.

В першу чергу виконується пошук файлів фотографій. Якщо файлів фотографій не знайдено, програма починає шукати відеофайли. Якщо не знайдено жодного відеофайлу, програма починає шукати аудіофайли.

Після того, як знайдено файл для відтворення, формат цього файлу буде вважатися як постійний вибір і кожен файл в цьому форматі буде відтворюватися в нескінченному циклі. Використання пульта дистанційного керування для виходу з режиму і виконання інших операцій приводить до закінчення процесу відтворення файлів і переривання циклу.

Якщо телевізор не може знайти жодного медіа-файлу, на екрані відображається головне меню медіа-браузера. Щоб виконати пошук файлів у всіх вкладених папках в пристрої USB, встановіть параметр **Стиль подання** в значення **Плоский**.

**Зауваження:** Якщо телевізор перебуває в режимі очікування, ця функція є недоступною.

**ВАЖЛИВО!** Перед під'єднанням до телевізора зробіть резервну копію файлів. Виробник не несе відповідальності за пошкодження файлів або втрату даних. Деякі типи USB-пристроїв (наприклад, MP3-програвачі) або USB-диски/пам'ять можуть виявитися несумісними з цим телевізором.

### Меню медіа-браузера

<b>Робота в режимі Цикл/Перемішування</b>	
Увімкніть відтворення кнопкою <b>Відтворення</b> та активуйте	Усі файли зі списку будуть постійно програватися в оригінальному порядку
Увімкніть відтворення кнопкою <b>OK</b> та активуйте	Один файл буде програватися циклічно (повторюватися)
Увімкніть відтворення кнопкою <b>Відтворення</b> та активуйте	Усі файли зі списку будуть постійно програватися у випадковому порядку
Увімкніть відтворення кнопкою <b>Відтворення</b> та активуйте	Усі файли зі списку будуть постійно програватися в одному довільному порядку

### СЕС

Ця функція дозволяє керувати пультом дистанційного керування телевізора під'єднаними через порти HDMI пристроями, якщо вони сумісні зі стандартом СЕС.

Спочатку необхідно встановити параметр **СЕС** в меню **Налаштування > Більше** в значення **Увімкнено**. Натисніть кнопку **Джерело** та виберіть зі **Списку джерел** вхід HDMI, до якого під'єднаний пристрій СЕС. Коли під'єднується новий пристрій СЕС, він з'явиться у списку джерел під своїм ім'ям

замість назви відповідного HDMI порту (DVD Player, Recorder 1 і т. д.).

Пульт від телевізора автоматично зможе передавати основні команди після вибору приєднаного джерела HDMI.

Щоб вимкнути цей режим та перемкнути пульт на телевізор, натисніть та утримуйте протягом 3 секунд кнопку «0-Нуль» на пульті дистанційного керування. Цей режим також можна увімкнути або вимкнути в меню **Налаштування > Більше**.

Цей телевізор підтримує також режим реверсивного звукового каналу (Audio Return Channel, ARC). Ця функція являє собою звуковий канал, призначений для заміни кабелів між телевізором та аудіосистемою (ресивером або акустичною системою).

У режимі ARC телевізор не вимикає інші аудіо-виходи. Тому, якщо ви хочете чути аудіо тільки з під'єднаної аудіосистеми, слід вручну зменшити гучність телевізора до нуля (включно із іншими оптичними або коаксіальними цифровими виходами). Щоб змінити гучність під'єданого пристрою, необхідно вибрати пристрій зі списку джерел. Після цього кнопки регулювання гучності будуть керувати під'єднаним пристроєм.

**Зауваження:** ARC підтримується тільки на вході HDMI1.

### Управління звуком

Дозволяє використовувати разом з телевізором аудіо підсилювач / ресивер. У цьому режимі гучність можна регулювати з пульта дистанційного керування телевізора. Для увімкнення цього режиму встановіть параметр **Динаміки** в меню **Налаштування > Більше** в значення **Підсилювач**. Динаміки телевізора будуть вимкнені, а звук передаватиметься до під'єднаної звукової системи.

**Зауваження:** Аудіо пристрій повинен підтримувати функцію системного управління аудіо, а режим **СЕС** повинен бути встановлений як **Увімкнено**.

### Зміна налаштувань телевізора

Для доступу до наведених нижче параметрів:

- 1- Натисніть кнопку **Menu**
- 2- Виділіть потрібну опцію
- 3- Натисніть кнопку **OK** для підтвердження

### Параметри відображення

**Режим:** Обирається один з наступних режимів зображення: **Кіно**, **Гра(\*)**, **Спорт**, **Динамічний** і **Природна передача кольору**.

(\*)Режим **Гра** може бути недоступним залежно від поточного вибору джерела.

**Контраст:** Встановлюється значення світлих і темних відтінків зображення.

**Яскравість:** Встановлюється значення яскравості зображення.

**Чіткість:** Встановлюється рівень чіткості. Високе значення чіткості може зробити зображення більш чітким та ясним, залежно від контенту.

**Колір:** Встановлюється значення кольору.

**Підсвічування:** Регулюється яскравість підсвічування. Функція підсвічування буде вимкнена, якщо параметр режиму **Збереження енергії** встановлено в значення, відмінне від **Настроюваний**.

#### Параметри звуку

**Гучність:** Регулюється рівень гучності.

**Еквалайзер:** Встановлюється режим еквалайзера.

**Баланс:** Регулюється баланс звуку між правим і лівим динаміками.

**Навушники:** Встановлює рівень гучності в навушниках. Цей параметр буде неактивним, якщо параметр **Навушники/Лінійний вихід** встановлено в значення **Лінійний вихід**.

**Режим звуку:** Встановлюється режим відтворення звуку.

**Функція AVL:** Встановлюється обмеження максимальної гучності.

**Навушники/Лінійний вихід:** Якщо ви використовуєте навушники, цей параметр слід встановити в значення **Навушники**, а якщо до гнізда для навушників під'єднаний зовнішній підсилювач, цей параметр слід встановити в значення **Лінійний вихід**.

**Динамічний бас:** Увімкнення або вимкнення динамічних низьких частот. Посилюється басовий діапазон звучання.

**Об'ємний звук:** Режим об'ємного звуку можна встановити як **Увімкн.** або **Вимкн.**

**Цифровий вихід:** Задається тип цифрового виходу аудіосигналу.

#### Налаштування параметрів батьківського контролю.

Ця функція призначена для обмеження доступу до вибраного змісту. Доступ керується обраним вами пін-кодом. Ці налаштування знаходяться в меню **Налаштування > Батьківський контроль**.

**Зауваження:** PIN-код за умовчанням – **0000** або **1234**. Якщо ви встановили PIN-код (вимагається залежно від країни) в процесі **Початкової установки**, використовуйте встановлений PIN-код.

Деякі опції можуть бути недоступні залежно від країни, вибраної під час **Початкової установки**.

**Блокування меню:** Налаштування блокування меню вмикають або вимикають доступ до меню.

**Вікове обмеження (додатково):** Якщо цей параметр увімкнений, від телемовної станції у телевизор буде надходити інформація про вікове обмеження перегляду певних каналів, і якщо для відповідного віку перегляд певного каналу заборонений, доступ до цього каналу вимикається.

**Захист від доступу дітей (додатково):** Якщо встановлено параметр **Захист від дітей**, керування телевизором можливо тільки за допомогою пульта дистанційного керування. В цьому випадку кнопки пульта управління не функціонуватимуть.

**Під контролем (додатково)** Цей пункт відкриває або закриває доступ до певних додатків MHEG. Щоб відкрити заблоковані додатки, слід ввести правильний PIN-код.

**Установка PIN-коду:** Встановлюється новий PIN-код.

**PIN-код SICAM за замовчуванням:** Цей параметр відображається сірим у разі, якщо у слоті CI телевизора не вставлений жодний модуль CI. За допомогою цього параметра можна змінити встановлений за замовчуванням PIN-код CI CAM.

#### Електронний телегід (EPG)

Деякі канали передають інформацію про свій розклад мовлення. Щоб переглянути меню Електронний телегід, натисніть кнопку **EPG**.

Є доступними 3 види структури відображення розкладу програм: **Хронологічний розклад**, **Список програм** та **Поточна/наступна програма**. Для перемикавання між ними дотримуйтеся інструкцій на екрані.

**Хронологічний розклад**

**Збільшення (ЖОВТА кнопка):** Натисніть жовту кнопку, щоб побачити події в ширшому часовому інтервалі.

**Фільтр (СИНЯ кнопка)** Перегляд параметрів фільтрації.

**Вибір жанру (кнопка SUBTITLES):** Відображається меню **Вибір жанру**. за допомогою цієї функції можна здійснювати пошук у базі даних довідника програм відповідно до жанру. Буде виконано пошук доступної інформації у довіднику програм та виділені результати, що відповідають вашим критеріям.

**Параметри (кнопка ОК):** Відображається інформація про передачу.

**Інформація про передачу (кнопка INFO):** Відображається докладна інформація про обрані передачі.

**Наступний/попередній день (кнопки Програма +/-):** Відображається перелік передач попереднього або наступного дня.

**Пошук (кнопка TEXT):** Відображає меню **Пошук по програмі**.

**Зараз (кнопка SWAP):** Відображається поточна передача підсвіченого каналу.

**Список програм(\*)**

(\*) У разі цього варіанту структури відображається перелік передач тільки вибраного каналу.

**Попередній часовий проміжок (ЧЕРВОНА кнопка):** Відображається перелік передач попереднього часового проміжку.

**Наступний/попередній день (кнопки Програма +/-):** Відображається перелік передач попереднього або наступного дня.

**Інформація про передачу (кнопка INFO):** Відображається докладна інформація про обрані передачі.

**Фільтр (кнопка TEXT):** Перегляд параметрів фільтрації.

**Наступний часовий проміжок (ЗЕЛЕНА кнопка):** Відображається перелік передач наступного часового проміжку.

**Параметри (кнопка ОК):** Відображається інформація про передачу.

**Поточна/наступна програма**

**Навігація (кнопки зі стрілочками):** Для переходу між каналами та передачами користуйтеся **Кнопками напрямку**.

**Параметри (кнопка ОК):** Відображається інформація про передачу.

**Інформація про передачу (кнопка INFO):** Відображається докладна інформація про обрані передачі.

**Фільтр (СИНЯ кнопка)** Перегляд параметрів фільтрації.

**Параметри передачі**

В меню Електронний телегід натисніть кнопку **ОК** і увійдіть у меню **Параметри передачі**.

**Вибір каналу:** За допомогою цього режиму в меню Електронний телегід можна перейти до обраного каналу.

**Встановити таймер на передачу/Видалити таймер на передачу:** Після вибору передачі в меню Електронний телегід натисніть кнопку **ОК**.

Оберіть параметр **Встановити таймер на передачу** і натисніть кнопку **ОК**. Ви можете встановити таймер на майбутню передачу. Щоб скасувати вже запланований запис, оберіть передачу та натисніть кнопку **ОК**. Потім оберіть пункт **Видалити таймер на передачу**. Таймер буде відмінено.

**Оновлення ПЗ телевізора**

Щоб відобразити поточну версію програмного забезпечення, перейдіть у головне меню і виберіть пункт **Налаштування > Більше**.

**УВАГА:** Не встановлюйте нижчу за поточну версію програмного забезпечення. TP Vision не несе

відповідальності за проблеми, що виникли внаслідок встановлення попередніх версій програмного забезпечення.

**Оновлення ПЗ з USB**

Перед початком оновлення програмного забезпечення переконайтеся, що у вас є:

- USB-пристрій для зберігання даних об'ємом принаймні 256 мегабайт дискового простору, відформатований у файлову систему FAT32 або DOS, з вимкненим захистом від запису.
- Доступ до комп'ютера з портом USB і доступ до Інтернету

Перейдіть за адресою [www.philips.com/support](http://www.philips.com/support) і дотримуйтеся інструкцій щодо оновлення програмного забезпечення.

**Автоматичне оновлення з цифрових каналів**

Виконується після підключення телевізора до антенного сигналу. Якщо параметр **Автоматичне сканування** в меню **Параметри оновлення** встановлено в значення **Увімкнено**, телевізор виходить із режиму сну о 03:00 і вмикається пошук каналів мовлення для завантаження оновлень. Якщо буде знайдено та успішно завантажено нове програмне забезпечення, після наступного увімкнення живлення у телевізорі вже буде встановлена нова версія програмного забезпечення. Щоб відкрити меню **Параметри оновлення**, увійдіть в меню **Налаштування > Більше**, виділіть пункт **Оновлення програмного забезпечення** та натисніть кнопку **ОК**.

**Зауваження:** Не від'єднуйте телевізор від мережі під час перезавантаження – поки блимає індикатор. Якщо телевізор не вмикається після оновлення, вимкніть його на 2 хвилини та ввімкніть знову.

**Пошук і усунення несправностей та рекомендації**

**Телевізор не вмикається**

Переконайтеся, що шнур живлення надійно під'єднаний до розетки. Переконайтеся, що батареї не виснажені. Натисніть кнопку живлення на телевізорі.

**Низька якість зображення**

- Переконайтеся, що вибрана правильна телевізійна система.
- Низький рівень сигналу може викликати спотворення зображення. Перевірте антену.
- Перевірте правильність частоти каналу (в разі ручної настройки).
- Зображення може погіршитися, якщо до телевізора одночасно підключені два зовнішні пристрої. У цьому разі слід відключити один із зовнішніх пристроїв.



### **Відсутнє зображення**

- Це означає, що телевізор не приймає ніякого сигналу. Переконайтеся, що вибране правильне джерело.
- Антена приєднана правильно?
- Чи не пошкоджений антени кабель?
- Для під'єднання антени використовується правильні роз'єми?
- В разі сумнівів зверніться до свого постачальника.

### **Відсутній звук**

- Переконайтеся, що звук на телевізорі не вимкнений. Натисніть кнопку **Вимкнення звуку** або збільшить гучність.
- Звук чути лише з одного динаміка. Перевірте налаштування балансу в меню **Звук**.

### **Пульт дистанційного керування - не працює**

- Можливо, розрядилися батареї. Замініть батареї.

### **Неможливо обрати джерело вхідного сигналу**

- Якщо ви не можете вибрати джерело входу, можливо, відсутні підключені пристрої. Якщо ні:
- Перевірте кабелі та під'єднання аудіо-відео, якщо ви намагаєтеся перемкнутися на джерело вхідного сигналу, що відповідає під'єднаному пристрою.

## Технічні характеристики

TV мовлення	PAL BG/DK/II' SECAM BG/DK			
Канали прийому	VHF (ДІАПАЗОН I / III) / UHF (ДІАПАЗОН U) / ГІПЕРЧАСТОТНИЙ ДІАПАЗОН			
Прийом цифрового сигналу	Повністю інтегроване цифрове ефірне / кабельне телебачення (DVB-T-C) (Сумісний з DVB-T2)			
Кількість каналів	1.000			
Індикатор каналу	В текстовому режимі			
Радіочастотний антенний вхід	75 Ом (незбалансований)			
Робоча напруга	220-240V AC, 50Hz.			
Аудіо	German+Nicam Stereo			
Екран	24"	32"	43"	49"
Вихідна аудіопотужність (WRMS.) (10% THD)	2x2,5W	2x6W	2x8W	2x8W
Споживана потужність (Вт)	45W	65W	75W	75W
Вага (кг)	3,45 kg	5,60 kg	9,30 kg	11,35 kg
Габарити телевізора ШхДхВ (з підставкою, мм)	134x554x370 mm	185x735x478 mm	220x974x615 mm	220x1112x692 mm
Габарити телевізора ШхДхВ (без підставки, мм)	35(min)/61(max)x554x339mm	77(min)/89(max)x735x438mm	64(min)/93(max)x974x572mm	60(min)/91(max)x1112x653mm
Робоча температура і вологість	від 0 до 40 °C, максимальна вологість 85 %			

## Типові режими відображення вхідних даних ПК

У таблиці нижче наведені пояснення до деяких типових режимів зображення.

Показчик	Роздільна здатність	Частота
1	640 x 350	85 Гц
2	640 x 400	70 Гц
3	640 x 480	60 Гц
4	640 x 480	66 Гц
5	640 x 480	72 Гц
6	640 x 480	75 Гц
7	640 x 480	85 Гц
8	800 x 600	56 Гц
9	800 x 600	60 Гц
10	800 x 600	70 Гц
11	800 x 600	72 Гц
12	800 x 600	75 Гц
13	800 x 600	85 Гц
14	832 x 624	75 Гц
15	1024 x 768	60 Гц
16	1024 x 768	66 Гц
17	1024 x 768	70 Гц
18	1024 x 768	72 Гц
19	1024 x 768	75 Гц
20	1024 x 768	85 Гц
21	1152 x 864	60 Гц
22	1152 x 864	70 Гц
23	1152 x 864	75 Гц
24	1152 x 864	85 Гц
25	1152 x 870	75 Гц
26	1280 x 768	60 Гц
27	1360 x 768	60 Гц
28	1280 x 768	75 Гц
29	1280 x 768	85 Гц
30	1280 x 960	60 Гц
31	1280 x 960	75 Гц
32	1280 x 960	85 Гц
33	1280 x 1024	60 Гц
34	1280 x 1024	75 Гц
35	1280 x 1024	85 Гц
36	1400 x 1050	60 Гц
37	1400 x 1050	75 Гц
38	1400 x 1050	85 Гц
39	1440 x 900	60 Гц
40	1440 x 900	75 Гц
41	1600 x 1200	60 Гц
42	1680 x 1050	60 Гц
43	1920 x 1080	60 Гц
44	1920 x 1200	60 Гц

## Сумісність сигналів AV та HDMI

Джерело	Підтримувані сигнали		Доступно
EXT SCART	PAL		○
	SECAM		○
	NTSC4.43		○
	NTSC3.58		○
	RGB 50/60		○
Боковий AV	PAL		○
	SECAM		○
	NTSC4.43		○
	NTSC3.58		○
PC/YPbPr	480i, 480p	60 Гц	○
	576i, 576p	50 Гц	○
	720p	50 Гц, 60 Гц	○
	1080i	50 Гц, 60 Гц	○
	HDMI	480i, 480p	60 Гц
576i, 576p		50 Гц	○
720p		50 Гц, 60 Гц	○
1080i		50 Гц, 60 Гц	○
1080p		24 Гц, 25 Гц, 30 Гц, 50 Гц, 60 Гц	○

## Підтримувані формати файлів у режимі USB

Розширення	Відеокодек	Роздільна здатність та швидкість потоку
.dat, vob	MPEG1/2	1080P @ 30 кадр/с – 40 Мбіт/с
.mpg, .mpeg	MPEG1/2, MPEG4	
.ts, .trp, .tp	MPEG1/2, H.264, AVS, MVC	<b>H.264:</b> 1080Px2 @ 30 кадр/с – 62,5 Мбіт/с, 1080P @ 60 кадр/с - 62,5 Мбіт <b>MVC:</b> 1080P @ 30 кадр/с – 62,5 Мбіт/с <b>Інше:</b> 1080P @ 30 кадр/с – 40 Мбіт/с
.mp4, .mov, .3gpp, .3gp	MPEG1/2, MPEG4, H.263, H.264, Motion JPEG	<b>H.264:</b> 1080Px2 @ 30 кадр/с – 62,5 Мбіт/с, 1080P @ 60 кадр/с - 62,5 Мбіт <b>Motion JPEG:</b> 640x480 @ 30 кадр/с – 10 Мбіт/с <b>Інше:</b> 1080P @ 30 кадр/с – 40 Мбіт/с
.avi	MPEG1/2, MPEG4, Sorenson H.263, H.263, H.264, WMV3, Motion JPEG	
.mkv	MPEG1/2, MPEG4, H.263, H.264, WMV3, Motion JPEG	
.asf	Sorenson H.263, H.264, WMV3, Motion JPEG	
.flv	WMV3	1080P @ 30 кадр/с – 40 Мбіт/с
.swf	RV30/RV40	1080P @ 30 кадр/с – 40 Мбіт/с
.wmv		
.mp4, .mov, .3gpp, .3gp, MPEG transport stream, .ts, .trp, .tp, .mkv	HEVC/H.265	1080P @ 60 кадр/с – 50 Мбіт/с

## Підтримувані формати файлів зображень для режиму USB

Зображення	Фото	Роздільна здатність (ширина x висота)	Примітка
JPEG	Базова лінія	15360x8640	Максимальна роздільна здатність залежить від об'єму пам'яті
	Прогресивний	1024 x 768	
PNG	прогресивний режим розгортки	9600x6400	
	міжрядковий режим розгортки	1200x800	
BMP		9600x6400	

## Підтримувані формати файлів аудіо для режиму USB

Розширення	Аудіокодек	Швидкість потоку	Частота дискретизації
.mp3,	MPEG1/2 Layer1	32-448 Кбіт/с	16-48 кГц
	MPEG1/2 Layer2	8-384 Кбіт/с	
	MPEG1/2 Layer3	8-320 Кбіт/с	
.avi	MPEG1/2 Layer1	32-448 Кбіт/с	16-48 кГц
	MPEG1/2 Layer2	8-384 Кбіт/с	
	MPEG1/2 Layer3	8-320 Кбіт/с	
	AC3	32-640 Кбіт/с	32, 44,1, 48 кГц
	AAC, HEAAC		8-48 кГц
	WMA	128-320 Кбіт/с	8-48 кГц
	WMA 10 Pro M0	< 192 Кбіт/с	48 кГц
	WMA 10 Pro M1	< 384 Кбіт/с	48 кГц
	WMA 10 Pro M2	< 768 Кбіт/с	96 кГц
	LPCM	64 кбіт/с ~ 1,5 Мбіт/с	8-48 кГц
IMA-ADPCM, MS-ADPCM	384Kbps	8-48 кГц	
G711 A/mu-law	64-128 Кбіт/с	8 кГц	
.asf	MPEG1/2 Layer1	32-448 Кбіт/с	16-48 кГц
	MPEG1/2 Layer2	8-384 Кбіт/с	
	MPEG1/2 Layer3	8-320 Кбіт/с	
	WMA	128-320 Кбіт/с	8-48 кГц
	WMA 10 Pro M0	< 192 Кбіт/с	48 кГц
	WMA 10 Pro M1	< 384 Кбіт/с	48 кГц
	WMA 10 Pro M2	< 768 Кбіт/с	96 кГц
.mkv, .mka	MPEG1/2 Layer1	32-448 Кбіт/с	16-48 кГц
	MPEG1/2 Layer2	8-384 Кбіт/с	
	MPEG1/2 Layer3	8-320 Кбіт/с	
	AC3	32-640 Кбіт/с	32, 44,1, 48 кГц
	AAC, HEAAC		8-48 кГц
	WMA	128-320 Кбіт/с	8-48 кГц
	WMA 10 Pro M0	< 192 Кбіт/с	48 кГц
	WMA 10 Pro M1	< 384 Кбіт/с	48 кГц
	WMA 10 Pro M2	< 768 Кбіт/с	96 кГц
	VORBIS		До 48 кГц
	LPCM	64 кбіт/с ~ 1,5 Мбіт/с	8-48 кГц
	IMA-ADPCM, MS-ADPCM	384Kbps	8-48 кГц
	G711 A/mu-law	64-128 Кбіт/с	8 кГц
FLAC	< 1,6 Мбіт/с	8-96 кГц	
.ts, .trp, .tp, .dat, .vob, .mpg, .mpeg	MPEG1/2 Layer1	32-448 Кбіт/с	16-48 кГц
	MPEG1/2 Layer2	8-384 Кбіт/с	
	MPEG1/2 Layer3	8-320 Кбіт/с	
	AC3	32-640 Кбіт/с	32, 44,1, 48 кГц
	EAC3	32 кбіт/с – 6 Мбіт/с	32, 44,1, 48 кГц
	AAC, HEAAC		8-48 кГц
	LPCM	64 кбіт/с ~ 1,5 Мбіт/с	8-48 кГц

Розширення	Аудіокодек	Швидкість потоку	Частота дискретизації
.wav	MPEG1/2 Layer1	32-448 Кбіт/с	16-48 кГц
	MPEG1/2 Layer2	8-384 Кбіт/с	
	MPEG1/2 Layer3	8-320 Кбіт/с	
	LPCM	64 кБіт/с ~ 1,5 Мбіт/с	8-48 кГц
	IMA-ADPCM, MS-ADPCM	384Kbps	8-48 кГц
	G711 A/mu-law	64-128 Кбіт/с	8 кГц
.3gpp, .3gp, .mp4, .mov, .m4a	MPEG1/2 Layer3	8-320 Кбіт/с	16-48 кГц
	AC3	32-640 Кбіт/с	32, 44,1, 48 кГц
	EAC3	32 кБіт/с – 6 Мбіт/с	32, 44,1, 48 кГц
	AAC, HEAAC		8-48 кГц
	VORBIS		До 48 кГц
	LPCM	64 кБіт/с ~ 1,5 Мбіт/с	8-48 кГц
	IMA-ADPCM, MS-ADPCM	384Kbps	8-48 кГц
	G711 A/mu-law	64-128 Кбіт/с	8 кГц
.flv	MPEG1/2 Layer3	8-320 Кбіт/с	16-48 кГц
	AAC, HEAAC		8-48 кГц
.ac3	AC3	32-640 Кбіт/с	32, 44,1, 48 кГц
	AAC, HEAAC		8-48 кГц
.swf	MPEG1/2 Layer3	8-320 Кбіт/с	16-48 кГц
.ec3	EAC3	32 кБіт/с – 6 Мбіт/с	32, 44,1, 48 кГц
.rm, .rmvb, .ra	AAC, HEAAC		8-48 кГц
	LBR (cook)	6-128 Кбіт/с	8, 11,025, 22,05, 44,1 кГц
.wma, .wmv	WMA	128-320 Кбіт/с	8-48 кГц
	WMA 10 Pro M0	< 192 Кбіт/с	48 кГц
	WMA 10 Pro M1	< 384 Кбіт/с	48 кГц
	WMA 10 Pro M2	< 768 Кбіт/с	96 кГц
.webm	VORBIS		До 48 кГц

## Підтримувані формати файлів субтитрів для режиму USB

Внутрішні субтитри		
Розширення	Контейнер	Код субтитрів
dat, mpg, mpeg, vob	MPG, MPEG	Субтитри DVD
ts, trp, tp	TS	Субтитри DVB
mp4	MP4	Субтитри DVD Звичайний текст UTF-8
mkv	MKV	ASS SSA Звичайний текст UTF-8 VobSub Субтитри DVD
Зовнішні субтитри		
Розширення	Генератор субтитрів	Примітка
.srt	Subrip	
.ssa/ .ass	SubStation Alpha	
.smi	SAMI	
.sub	SubViewer MicroDVD DVDSubtitleSystem Subldx (VobSub)	Тільки SubViewer 1.0 та 2.0
.txt	TMPlayer	

## Contents

Benachrichtigungen, Funktionen und Zubehör .....	4
Energieeffizienz .....	4
TV Scrolltaste .....	4
Ein-/Ausschalten .....	4
Erste Installation .....	4
Mediendateien von einem USB Laufwerk abspielen .....	5
Menü Medienbrowser .....	6
CEC .....	6
TV Einstellungen ändern .....	6
Bildschirmoptionen .....	6
Toneinstellungen .....	7
Einstellung der Kindersicherungseinstellungen .....	7
EPG (Elektronischer Programmführer) .....	7
Ihr TV-Gerät aktualisieren .....	8
Fehlerbehebung & Tipps .....	8
Typische Anzeigemodi PC-Eingang .....	11
AV- und HDMI-Signalkompatibilität .....	11
Im USB-Modus unterstützte Videodateiformate ..	12
Im USB-Modus unterstützte Bilddateiformate .....	12
Im USB-Modus unterstützte Audiodateiformate ..	13
Im USB-Modus unterstützte Dateiformate .....	14

## Wichtig

‘Bevor Sie Ihr Fernsehgerät aufstellen und verwenden, müssen Sie die beigelegte Sicherheitsbroschüre gelesen und verstanden haben. Wenn ein Schaden dadurch auftritt, dass diese Anweisungen nicht befolgt wurden, erlischt die Garantie.’

### Entsorgung von Altgeräten und Akkus

Bitte entsorgen Sie dieses TV-Gerät oder Akkus nicht in den allgemeinen Hausmüll. Wenn Sie dieses Produkt oder die Akkus entsorgen wollen, nutzen Sie bitte die Sammelsysteme und -einrichtungen für die entsprechende Wiederverwertung.

**Hinweis:** Das unten abgebildete Pb-Symbol für Akkus zeigt an, dass dieser Akku Blei enthält.



**Produkte**



**Batterie**





### Teletext

Drücken Sie die Taste **Text**, um die Teletext-Informationen anzuzeigen. Drücken Sie erneut, um den Misch-Modus einzuschalten, der es Ihnen ermöglicht die Teletext-Seite und die Fernsehsendung gleichzeitig zu sehen. Drücken Sie nochmals diese Taste, um den Modus wieder zu verlassen. Sofern vorhanden, werden die Abschnitte oder Seiten im Teletext farbcodiert und können dann durch Drücken der entsprechenden Farbtaste ausgewählt werden. Nutzen Sie entweder die Navigations- oder aber die **Programm +/-**-Tasten, um in den Seiten zu browsen. Die Bedienfunktion kann je nach Inhalt des Teletexts unterschiedlich sein. Folgen Sie den auf dem Bildschirm angezeigten Anweisungen.

1. **Standby:** Schaltet das Fernsehgerät Ein / Aus
2. **Text:** Zeigt Teletext an (sofern verfügbar), erneut drücken, um den Videotext über das normale Fernsehbild (Mix) zu überlagern
3. **Stop:** Stoppt die gespielte Medien
4. **Bildschirm:** Ändert das Seitenverhältnis des Bildschirms
5. **Quelle:** Zeigt alle verfügbaren Sender- und Inhalt-Quellen
6. **Menü:** Zeigt das TV-Menü
7. **Swap:** Sucht schnell zwischen vorherigen und aktuellen Kanälen bzw. Quellen

Wenn der **Hotelmodus** auf **Ein** gesetzt ist, wird durch Drücken dieser Taste zwischen den Kanaltypen DVB-T&Analogue, DVB-Cable&Analogue und DVB-Satellite&Analogue geschaltet

8. **Navigations-tasten:** Hilft durch Menüs, Inhalte usw. zu browsen und zeigt die Unterseiten in TXT-Modus, wenn Rechts oder Links gedrückt wird
9. **Programm - / Seite -** (im TXT-Modus)
10. **Lautstärke -**
11. **Grüne Taste:** Folgen Sie der Anleitung zu den Farbtasten auf dem Bildschirm
12. **Rote Taste:** Folgen Sie der Anleitung zu den Farbtasten auf dem Bildschirm
13. **Nummerntasten:** Wechselt den Kanal, gibt eine Nummer oder einen Buchstaben in das Textfeld auf dem Bildschirm ein.
14. **Untertitel:** Schaltet Untertitel ein- und aus (sofern verfügbar)
15. **Sprache:** Wechselt die Ton-Modi (analoges TV), zeigt und ändert Ton und die Untertitel-Sprache (digitales TV, sofern vorhanden)
16. **Blaue Taste:** Folgen Sie der Anleitung zu den Farbtasten auf dem Bildschirm
17. **Taste Gelb:** Folgen Sie der Anleitung zu den Farbtasten auf dem Bildschirm
18. **Lautstärke +**
19. **Stummschaltung:** Schaltet die Lautstärke des Fernsehgeräts ganz aus
20. **Programme + / Seite +** (im TXT-Modus)
21. **Zurück/Back:** Kehrt zum vorherigen Bildschirm zurück, öffnet die Index-Seite (im TXT-Modus)
22. **OK:** Bestätigt die Benutzerauswahl, hält die Seite (im TXT-Modus), zeigt die Kanalliste
23. **Info:** Zeigt Informationen über auf dem Bildschirm gezeigte Inhalte, zeigt versteckte Informationen (reveal- im TXT-Modus)
24. **Wiedergeben:** Beginnt das Abspielen von ausgewählten Media
25. **Pause:** Hält die abspielenden Medien an
26. **Ausschaltzeit:** Stellt das automatische Ausschalten Ihres TV ein
27. **EPG (Elektronischer Programmführer):** Zeigt den Elektronischer Programmführer

**Hinweis:** Die Reichweite der Fernbedienung beträgt ca. 7 m / 23 ft.

## Benachrichtigungen, Funktionen und Zubehör

### Energieeffizienz

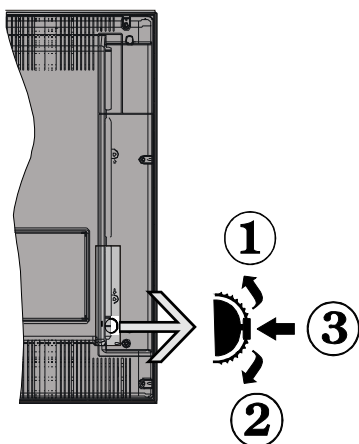
Dieses TV-Gerät ist mit Energieeffizienzfunktionen ausgerüstet.

- **Energie sparen:** Sie können eine Kombination von Energiespareinstellungen über die Bildschirmeinstellungen festlegen. Während Sie fernsehen, drücken Sie auf die **Menü-Taste**, die **Energiespareinstellungen** befinden sich im **Bild**-Abschnitt des Hauptmenüs.
- **Bild-Aus-Funktion:** Wenn Sie nur den Ton des Gerätes hören möchten, können Sie den Bildschirm ausschalten. Die anderen Funktionen funktionieren normal weiter. Während Sie fernsehen, drücken Sie die **Menü-Taste** und wählen **Bild** aus. Dort können Sie die Option **Energiesparmodus** auswählen. Drücken Sie die Rechte Taste, wenn die **Auto**option gewählt wurde oder Linke Taste, wenn **Benutzerdefinierte** Option gewählt wurde. Auf dem Bildschirm erscheint eine Meldung. Wählen Sie **Fortfahren** und drücken Sie **OK**, um den Bildschirm umgehend auszuschalten. Wenn Sie keine Taste drücken, wird der Bildschirm nach 15 Sekunden ausgeschaltet. Drücken Sie eine beliebige Taste auf der Fernbedienung oder auf dem TV-Gerät, um den Bildschirm wieder einzuschalten.

*Hinweis:* Die **Bildschirm Aus-Option** ist nicht verfügbar, wenn der Modus auf **Spiele** gestellt ist. Wenn das TV-Gerät für längere Zeit nicht benutzt wird, ziehen Sie bitte den Netzstecker.

### TV Scrolltaste

Der TV Scrollknopf an der Seite des Gerätes lässt Sie die Lautstärke und die Kanäle verändern und das Gerät auf Standby schalten.



**Um die Lautstärke zu ändern:** Erhöhen Sie die Lautstärke, indem Sie nach oben scrollen. Verringern Sie die Lautstärke, indem Sie nach unten scrollen.

**Um den Kanal zu wechseln:**

- Drücken Sie die Mitte der Scrollen-Taste, nun wird der Kanalinformationsbanner auf dem Bildschirm angezeigt.

- Sie können jetzt durch die gespeicherten Kanäle scrollen, indem Sie den Scrollknopf nach oben oder nach drücken.

**Um die Signalquelle zu ändern:**

- Drücken Sie zweimal auf die Mitte (insgesamt zum zweiten Mal) der Taste, und die Signalquellenliste erscheint auf dem Bildschirm.
- Durch das rauf- und runterdrehen des Rades können Sie nun die Quelle ändern.

**TV-Gerät in Standby schalten** Drücken Sie die Mitte der Taste für ein paar Sekunden ein, bis der Fernseher in den Standby-Modus versetzt wird.

**Um das TV-Gerät aus dem Standby einzuschalten:** Drücken Sie die Mitte der Taste ein, und das TV-Gerät schaltet sich ein.

**Hinweise:**

*Wenn Sie das Fernsehgerät ausschalten, beginnt der Zyklus anschließend wieder mit der Einstellung der Lautstärke.*

*Hauptmenü-OSD kann nicht über die Steuertaste aufgerufen werden.*

### Ein-/Ausschalten

**Um das TV-Gerät einzuschalten**

Um das TV-Gerät aus dem Lautstärke einzuschalten:

- Drücken Sie entweder die **Lautstärke-Taste**, **Programme +/-** oder eine Zifferntaste auf der Fernbedienung.
- Drücken Sie die Mitte der seitlichen Funktionstaste, und das TV-Gerät schaltet sich ein.

*Hinweis:* Wenn das Fernsehgerät eingeschaltet gelassen wird und für eine Weile nicht betrieben war, wird das Fernsehgerät sich in den Lautstärke versetzen. Wenn Sie das Fernsehgerät das nächste Mal einschalten, wird die folgende Meldung angezeigt: „**Lautstärke-Grund: kein Betrieb**“ Drücken Sie auf **OK** um fortzufahren.

**Ausschalten des TV-Geräts**

- Um das Fernsehgerät in den Lautstärke-Modus zu schalten, drücken Sie entweder auf die **Lautstärke-Taste** der Fernbedienung oder halten Sie die seitliche Funktionstaste am Fernsehgerät für einige Sekunden gedrückt.

*Hinweis:* Ziehen Sie den Netzstecker, um das TV-Gerät ganz auszuschalten.

### Erste Installation

Wenn Sie Ihr Fernsehgerät das erste Mal einschalten, wird Ihnen der Bildschirm für die Sprachenauswahl angezeigt. Wählen Sie die gewünschte Sprache aus und drücken Sie auf **OK**.

*Hinweis:* Wenn an Ihr Fernsehgerät ein USB-Gerät angeschlossen ist, können Sie die **GRÜNE** Taste auf der Fernbedienung drücken, bevor Sie fortfahren. Dadurch lassen sich die zuvor gespeicherten NVRAM-Daten (Serviceliste, Benutzereinstellungen usw.) eines anderen

Philips TV-Geräts im Hotelmodus von dem USB-Gerät hochladen. Lesen Sie dazu die Abschnitte „**Auf das USB-Gerät kopieren**“ sowie „**Von dem USB-Gerät kopieren**“ im Kapitel **Hotelmodus**, das sich am Ende dieses Handbuchs befindet.

Wenn das richtige Software-Update bereits auf dem USB-Gerät vorinstalliert wurde, können Sie, bevor Sie fortfahren, die **ROTE** Taste der Fernbedienung drücken, um die Software des Fernsehgeräts zu aktualisieren. Der Name der entsprechenden Update-Datei lautet entweder „VES162HE\_upgrade.bin“ oder „Philips\_upgrade\_mb110.bin“.

Eine Aktualisierung der Software über das USB-Gerät kann jederzeit durch Eingabe der ausgeblendeten Tastenkombination „**Menü-1-5-0-5**“ durchgeführt werden.

Auf dem Bildschirm stellen Sie Ihre Einstellungen mit den Richtungstasten ein, und wenn Sie fertig sind, drücken Sie **OK**, um fortzufahren.

Sie können Ihr Fernsehgerät über den Erstinstallationsbildschirm (FTI) mit den folgenden Auswahloptionen einstellen.

### Digitalantenneninstallation

Wenn die Suchoption **Digitalantenne** eingestellt wurde, sucht das TV-Gerät nach digitalen terrestrischen Sendern, sobald die Ersteinstellungen vorgenommen worden sind.

### Digitalkabelinstallation

Wenn die Suchoption **Digitalkabel** eingestellt wurde, sucht das TV-Gerät nach digitalen Kabelsendern, sobald die Ersteinstellungen vorgenommen worden sind. Abhängig von Ihren Einstellungen wird möglicherweise eine Bestätigungsaufforderung angezeigt, bevor die Suche startet. Zur automatischen Installation für den Fall, dass Ihr Kabelanbieter eine Netzwerk-ID-basierte Installation unterstützt (z.B. Unitymedia), wählen Sie im folgenden Bildschirm **JA** auf dem folgenden Bildschirm, und drücken Sie **OK**. Falls Ihr Kabelanbieter keine Netzwerk-ID-basierte Installation anbietet, wählen Sie **Nein**, drücken Sie **OK**, und folgen Sie den Anweisungen auf dem Bildschirm.

Auf diesem Bildschirm können Sie die Frequenzbereiche wählen. Geben Sie den Frequenzbereich manuell über die Zifferntasten ein.

**Hinweis:** Die Suchdauer ändert sich entsprechend den jeweils ausgewählten **Suchschritten**.

### Analogkabelinstallation

Wenn die Suchoption **Analog** eingestellt wurde, sucht das TV-Gerät nach analogen Sendern, sobald die Ersteinstellungen vorgenommen worden sind.

Zusätzlich können Sie einen Sendertyp als Ihren Favoriten einstellen. Dem ausgewählten Sendertyp wird für den Suchvorgang Priorität gegeben, und die entsprechenden Sender werden am Anfang der

**Senderliste** aufgeführt. Drücken Sie nach dem Abschluss des Vorgangs **OK**, um fortzufahren.

Der Auswahlbildschirm **Home-Modus / Ladenmodus** folgt. Es wird empfohlen für die Verwendung zu Hause den **Home Modus** auszuwählen.

Nachdem die Ersteinstellungen vorgenommen wurden, startet Ihr TV-Gerät die Suche nach verfügbaren Sendern unter den ausgewählten Sendertypen.

Während die Suche andauert, erscheint eine Meldung mit der Nachfrage, ob Sie Kanäle gemäß der LKN(\*) sortieren möchten. Wählen Sie **Ja**, und drücken Sie **OK**, um fortzufahren.

(\*) **LKN** steht für „**Logisches Kanalnummernsystem**“, das verfügbare Sender gemäß einer erkennbaren Kanalnummersequenz sortiert (wenn verfügbar).

Nachdem alle verfügbaren Sender gespeichert sind, werden die Suchergebnisse angezeigt. Drücken Sie **OK** um fortzufahren. Das Menü **Kanalliste bearbeiten** wird als Nächstes angezeigt. Drücken Sie die Taste **Menü**, um **Senderliste bearbeiten** zu beenden und fernzusehen.

**Hinweis:** Schalten Sie das Gerät während der Erstinstallation nicht ab. Bitte beachten Sie, dass einige Funktionen unter Umständen nicht in allen Ländern verfügbar sind.

### Mediendateien von einem USB Laufwerk abspielen

Sie können auf einer USB-Festplatte gespeicherte Foto-, Musik- und Videodateien wiedergeben, wenn Sie diese an Ihr TV-Gerät anschließen. Schließen Sie eine USB-Festplatte an den USB-Eingang an der Rückseite des TV-Geräts an. Das TV-Gerät wird das USB-Gerät automatisch erkennen und das **Medien-Browser**-Menü wird angezeigt. Sie können auch vom Hauptmenü des TV-Geräts auf den **Medien-Browser** zugreifen. Drücken Sie die **Menu**-Taste, wählen Sie **Media-Browser** aus der Liste und drücken Sie zum Öffnen auf die **OK**-Taste.

Drücken Sie nach der Auswahl des gewünschten Medientyps im Hauptmenü des **Media-Browsers** die **Menu**-Taste, um die Menüoptionen **Bild**, **Sound** und **Einstellungen** aufzurufen. Drücken Sie die **Menu**-Taste, um diesen Bildschirm zu verlassen. Sie können Ihre Einstellungen für den **Medienbrowser** mit Menü **Einstellungen** anpassen.

Um die **Auto Play**-Funktion zu aktivieren, müssen Sie diese Option im Menü **Einstellungen** markieren und dann mit Hilfe der Richtungstasten auf **Ein** setzen. Wenn die Funktion aktiviert ist, erkennt das TV-Gerät angeschlossene USB-Geräten und sucht nach Mediendateien.

Fotodateien werden als Erstes gesucht. Wenn keine Fotodateien gefunden werden, sucht das Programm nach Videodateien. Wenn keine Videodateien

gefunden werden, sucht das Programm nach Audiodateien.


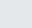



Nachdem eine Datei zur Wiedergabe gefunden wurde, wird das Format dieser Datei als permanente Auswahl eingestellt und jede Datei mit diesem Format wird in einer Endlosschleife wiedergegeben. Das Drücken auf die Beenden-Taste der Fernbedienung unterbricht die Wiedergabe der Datei(en) und beendet die Endlosschleife.

Wenn das TV-Gerät keine Mediendateien finden kann, wird auf dem Bildschirm das Hauptmenü des Mediabrowsers angezeigt. Stellen Sie **Anzeigeart** als **Flat**, damit alle Unterordner des USB-Geräts auf Dateien durchsucht werden.

**Hinweis:** Ist das TV-Gerät im Standby-Modus, ist diese Funktion nicht verfügbar.

**WICHTIG!** Sichern Sie Ihre Dateien, bevor Sie irgendwelche Verbindungen zum Monitor machen. Der Hersteller keinerlei Haftung für beschädigte Dateien oder Datenverluste übernimmt. Unter Umständen sind bestimmte Arten von USB-Geräten (z. B. MP3-Player) oder USB-Festplattenlaufwerke/-Speichersticks mit diesem TV-Gerät nicht kompatibel.

## Menü Medienbrowser

<b>Endlos/Zufallswiedergabe</b>	
Starten Sie die Wiedergabe mit der <b>Wiedergabe</b> -Taste und aktivieren Sie 	Alle Dateien dieser Liste gemäß der dortigen Reihenfolge in einer Endlosschleife abgespielt.
Starten Sie die Wiedergabe mit der <b>OK</b> -Taste und aktivieren Sie 	Die gleiche Datei wird in einer Endlosschleife (Wiederholung) wiedergegeben.
Starten Sie die Wiedergabe mit der <b>Wiedergabe</b> -Taste und aktivieren Sie 	Alle Dateien auf der Liste werden einmal in zufälliger Reihenfolge wiedergegeben
Starten Sie die Wiedergabe mit der <b>Wiedergabe</b> -Taste und aktivieren Sie  	Alle Dateien dieser Liste in zufälliger Reihenfolge in einer Endlosschleife abgespielt.

## CEC

Mit dieser Funktion lassen sich CEC-fähige Geräte, die über einen HDMI-Anschluss angeschlossen sind, über die Fernbedienung des Fernseher steuern.

Die **CEC**-Option im Menü **Einstellung>Sonstige Einstellungen** muss vorher **aktiviert** werden. Drücken Sie die Taste **Quelle** und wählen Sie den HDMI-Eingang des angeschlossenen CEC-Geräts im Menü **Quellenliste**. Wenn eine neue CEC-Quelle angeschlossen wurde, wird es im Menü **Quelle** mit dem eigenen Namen anstatt mit dem HDMI-Portnamen (DVD Player, Recorder 1, usw.), an den es angeschlossen ist, aufgeführt.

Die Fernbedienung des TV-Geräts kann automatisch die wichtigsten Funktionen ausführen, nachdem die HDMI-Quelle ausgewählt wurde.

Um diesen Vorgang zu beenden und den Fernseher wieder über die Fernbedienung zu steuern, drücken Sie die „0-Taste“ auf der Fernbedienung und halten Sie diese für 3 Sekunden gedrückt. Diese Funktion kann auch unter dem Menüpunkt **Einstellungen/Sonstige Einstellungen** aktiviert werden.

Das TV-Gerät unterstützt auch die Funktion ARC (Audio Return Channel). Diese Funktion ist ein Audio-Link, um andere Kabel zwischen dem Fernseher und der Audioanlage (A / V-Receiver oder Lautsprecher-System) zu ersetzen.

Bei aktivierten ARC schaltet das TV-Gerät seine anderen Audio-Ausgänge nicht automatisch stumm. Das heißt, dass Sie die TV-Lautstärke manuell auf Null reduzieren müssen, wenn Sie den Ton des angeschlossenen Audiogeräts (bzw. andere optische oder koaxiale Digital-Audio-Ausgänge) hören wollen. Wenn Sie die Lautstärke des angeschlossenen Geräts ändern möchten, sollten Sie dieses Gerät aus der Quellenliste wählen. In diesem Fall sind die Lautstärke-Steuertasten auf das angeschlossene Audio-Gerät gerichtet.

**Hinweis:** ARC wird nur über den HDMI1-Eingang unterstützt.

## Systemeigene Audiosteuerung

Ermöglicht die Verwendung eines Audioverstärkers bzw. Audioreceivers zusammen mit dem Fernseher. Die Lautstärke kann mit Hilfe der Fernbedienung des Fernsehers geregelt werden. Um diese Funktion zu aktivieren stellen Sie die Option **Lautsprecher** im Menü **Einstellungen>Sonstige Einstellungen** auf **Verstärker**. Die Fernseherlautsprecher werden auf stumm gestellt und Ton des empfangenen Programms wird durch das angeschlossene Soundsystem geliefert.

**Hinweis:** Das Audiogerät sollte die System Audio Control-Funktion unterstützen und die **CEC**-Option sollte auf **Aktiviert** gesetzt werden.

## TV Einstellungen ändern

Um auf die nachfolgend aufgeführten Optionen zu gelangen;

- 1- Drücken Sie die Taste **Menu**
- 2- Markieren Sie Ihre Auswahl
- 3- Zum Bestätigen drücken Sie die Taste **OK**

## Bildschirmoptionen

**Modus:** Verändert den Bildschirmmodus auf zu folgendem: **Kino**, **Spielen (\*)**, **Sport**, **Dynamisch** und **Natürlich**.

(\* Die **Spiele**-Modus-Funktion ist in Abhängigkeit von der aktuellen Quelleauswahl möglicherweise nicht verfügbar.

**Kontrast:** Verändert die Werte für Dunkel und Hell.

**Helligkeit:** Stellt die Helligkeit des Bildschirms ein.

**Schärfe:** Stellt den Schärfewert ein. Ein höherer Schärfewert je nach Inhalt eine klareres frischeres Bild.

**Farbe:** Stellt den Farbwert ein.

**Hintergrundbeleuchtung:** Steuert die Helligkeit der Hintergrundbeleuchtung Die Backlight-Funktion ist deaktiviert, wenn die **Energiespar**-Option nicht auf **Benutzerdefiniert** eingestellt ist.

## Toneinstellungen

**Lautstärke:** Stellt die Lautstärke ein.

**Entzerrer:** Ändert den Equalizer-Modus.

**Ausgleich:** Stellt ein, ob der Ton hauptsächlich aus dem rechten oder linken Lautsprecher kommt.

**Kopfhörer:** Stellt die Lautstärke für den Kopfhörer ein. Diese Option ist deaktiviert, wenn die **Kopfhörer/Lineout**-Option auf **Lineout** gestellt ist.

**Ton-Modus:** Stellt den bevorzugten Tonmodus ein.

**AVL:** Beschränkt die maximale Lautstärke.

**Kopfhörer / Lineout:** Diese Option sollte auf **Kopfhörer** gestellt werden, wenn Sie einen Kopfhörer haben, oder auf **Lineout**, wenn Sie einen externen Verstärker mit dem Kopfhöreranschluss verbinden möchten.

**Dynamischer Bass:** Aktiviert oder deaktiviert den Dynamischen Bass. Verstärkt die Intensität des Bass.

**Surround-Klang:** Der Surround-Modus kann auf **Ein** oder **Aus** gestellt werden.

**Digitaler Ausgang:** Stellt den Audiotyp für den Digitalausgang ein.

## Einstellung der Kindersicherungseinstellungen

Diese Funktion dient dem eingeschränkten Zugang zu ausgewählten Inhalten. Er wird durch eine von Ihnen festgelegte PIN gesteuert. Diese Einstellungen befinden sich im Menü **System>Kindersicherung**.

**Hinweis:** Die Standard-PIN kann auf **0000** oder **1234** eingestellt sein. Wenn Sie während der **Erstinstallation** die PIN definiert haben (dies wird je nach Ländereinstellung gefordert), benutzen Sie die PIN, die Sie definiert haben.

Einige Funktionen sind je nach bei der **Erstinstallation** festgelegten Länderauswahl möglicherweise nicht verfügbar.

**Menüsperre:** Die Einstellung Menüsperre aktiviert oder deaktiviert den Menüzugriff.

**Alterssperre (optional):** Ist diese Option eingestellt, bezieht das Fernsehgerät vom Sender Altersinforma-

tionen. Ist die entsprechende Altersstufe im Gerät deaktiviert, wird der Zugriff auf die Sendung gesperrt.

**Kindersicherung (optional):** Wenn Kindersicherung aktiviert wird, kann das TV-Gerät nur über die Fernbedienung gesteuert werden. In diesem Fall sind die Steuertasten am Bedienfeld deaktiviert.

**Orientierungshilfe (optional):** Diese Einstellung aktiviert bzw. deaktiviert den Zugang zu einigen Menüs der MHEG-Anwendungen. Die deaktivierten Anwendungen können mittels Eingabe der richtigen PIN freigegeben werden.

**PIN einstellen:** Legt eine neue PIN-Nummer fest.

**Standardmäßige CICAM-PIN:** Diese Option erscheint als ausgegraut, wenn kein CI-Modul in den CI-Schlitz des TV-Geräts eingesteckt wurde. Sie können die voreingestellte PIN der CI-CAM mit Hilfe dieser Option ändern.

## EPG (Elektronischer Programmführer)

Einige Sender übermitteln Informationen zu ihren Programmen. Drücken Sie die Taste **Epg**, um das Menü EPG aufzurufen.

Es stehen 3 Anzeigetypen für die Programminformationen zur Verfügung: **Programmzeitleiste**, **Sendungsliste** und **Jetzt/Nächste Sendung**. Um zwischen diesen zu wechseln, befolgen Sie die Anweisungen am unteren Bildschirmrand.

### Zeitleiste

**Zoom (Gelbe Taste):** Drücken Sie die **gelbe** Taste, um die Sendungen für einen größeren Zeitraum anzuzeigen.

**Filter (Blaue Taste):** Zeigt die Filteroptionen an.

**Genre auswählen (Untertitel-Taste):** Zeigt das Menü **Genre auswählen** an: Mit dieser Funktion können Sie die EPG-Datenbank nach einem bestimmten Genre durchsuchen. Die im EPG verfügbaren Informationen werden durchsucht und die Ergebnisse, die zu Ihren Suchkriterien passen, hervorgehoben.

**Optionen (OK-Taste):** Zeigt Sendungsoptionen an.

**Sendungsdetails (Info-Taste):** Zeigt ausführliche Informationen über die gewählten Sendungen an.

**Nächster/Vorheriger Tag (Programme +/- Tasten):** Zeigt die Sendungen des vorherigen bzw. des nächsten Tages an.

**Suchen (Text-Taste):** Zeigt das Menü **Führer-Suche** an.

**Jetzt (Swap-Taste):** Zeigt die aktuelle Sendung des markierten Kanals.

### Sendungsliste (\*)

(\*) In dieser Anzeigeeoption werden nur die die Sendungen der markierten Kanäle aufgeführt.

**Vorherig Zeitabschnitt (Rote Taste):** Zeigt die Sendungen des vorhergehenden Zeitabschnitts an.

**Nächster/Vorheriger Tag (Programme +/--Tasten):** Zeigt die Sendungen des vorherigen bzw. des nächsten Tages an.

**Sendungsdetails (Info-Taste):** Zeigt ausführliche Informationen über die gewählten Sendungen an.

**Filter (Text-Taste):** Zeigt die Filteroptionen an.

**Nächster Zeitabschnitt (Grüne Taste):** Zeigt die Sendungen des nächsten Zeitabschnitts an.

**Optionen (OK-Taste):** Zeigt Sendungsoptionen an.

### Jetzt/Nächste Sendung

**Navigieren (Navigationstasten):** Drücken Sie die **Navigationstasten**, um durch die Kanäle bzw. Sendungen zu navigieren.

**Optionen (OK-Taste):** Zeigt Sendungsoptionen an.

**Sendungsdetails (Info-Taste):** Zeigt ausführliche Informationen über die gewählten Sendungen an.

**Filter (Blaue Taste):** Zeigt die Filteroptionen an.

### Sendungsoptionen

Drücken Sie im Menü EPG die Taste **OK**, um das Menü **Ereignisoptionen** zu öffnen.

**Kanal auswählen:** Mit dieser Option können Sie im EPG-Menü zum gewählten Kanal umschalten.

**Timer für Sendung /Timer für Sendung löschen:** Drücken Sie die **OK-Taste**, nachdem Sie eine Sendung im EPG-Menü ausgewählt haben. Wählen Sie die Option **Timer für Ereignis einstellen** und drücken Sie die Taste **OK**. Sie können einen Timer für zukünftige Sendungen einstellen. Um einen schon eingestellten Timer zu löschen, markieren Sie die Sendung und drücken die **OK-Taste**. Wählen Sie die Option **Timer für Sendung löschen**. Der Timer wird gelöscht.

### Ihr TV-Gerät aktualisieren

Gehen zu Hauptmenü, wählen **Einstellungen>Weitere Einstellungen**, nun wird die aktuelle Softwareversion angezeigt.

**VORSICHT:** Installieren Sie keine ältere Version als die, die auf Ihrem TV-Gerät vorhanden ist. TP Vision ist nicht haftbar oder kann für Probleme bei einem Software Downgrade verantwortlich gemacht werden.

### Aktualisierung über USB

Bevor Sie die Software aktualisieren, prüfen Sie, ob Sie folgendes haben:

- Ein USB-Speichergerät mit mindestens 256 Megabyte Speicherplatz, das FAT32 oder DOS formatiert ist und dessen Schreibschutz ausgeschaltet ist.
- Zugang zu einem Computer mit einem USB-Anschluss und Internetzugang.

Gehen Sie auf [www.philips.com/support](http://www.philips.com/support) und befolgen die Anleitung zur Softwareaktualisierung.

### Automatische Aktualisierung über digitale Sender

Das TV-Gerät muss mit einem Antennensignal verbunden sein. Wenn die Option **Automatische Suche** im Menü **Aktualisierungsoptionen** aktiviert ist, schaltet sich das Gerät um 3:00 früh ein und sucht auf den Übertragungskanälen nach neuen Software-Updates. Wird eine neue Software gefunden und erfolgreich heruntergeladen, arbeitet das TV-Gerät ab dem nächsten Einschaltvorgang mit der neuen Softwareversion. Um das Menü **Upgrade-Optionen** zu öffnen, rufen Sie das Menü **Einstellungen>Weitere Einstellungen** auf, markieren Sie **Softwareupgrade**, und drücken Sie die **OK-Taste**.

**Hinweis:** Ziehen Sie nicht den Netzstecker, solange während des Neustarts die LED blinkt. Wenn das TV-Gerät nach dem Upgrade nicht startet, trennen Sie das TV-Gerät für 2 Minuten vom Netzstecker und schließen Sie es dann wieder an.

### Fehlerbehebung & Tipps

#### Das TV-Gerät schaltet sich nicht ein

Vergewissern Sie sich, dass das Netzkabel sicher in die Steckdose eingesteckt ist. Überprüfen Sie Batterien, ob sie leer sind. Drücken Sie die Netztaaste am TV-Gerät.

#### Schlechte Bildqualität

- Haben Sie das richtige Empfangssystem ausgewählt?
- Niedriger Signalpegel kann Bildverzerrungen verursachen. Bitte prüfen Sie den Antennenzugang.
- Überprüfen Sie, ob Sie die richtige Frequenz eingegeben haben.
- Die Bildqualität kann sich verschlechtern, wenn zwei Zusatzgeräte gleichzeitig an das TV-Gerät angeschlossen werden. Trennen Sie in diesem Fall eines der Zusatzgeräte wieder ab.

#### Kein Bild

- Dies bedeutet, dass Ihr Fernsehgerät keine Übertragung empfängt. Stellen Sie sicher, dass die richtige Eingangsquelle ausgewählt ist.
- Ist die Antenne richtig angeschlossen?
- Ist das Antennenkabel beschädigt?
- Wurden geeignete Stecker verwendet, um die Antenne anzuschließen?
- Wenn Sie nicht sicher sind, fragen Sie Ihren Händler.

#### Kein Ton

- Sehen Sie nach, ob das Fernsehgerät stumm geschaltet ist. Drücken Sie die **Stumm**-Taste oder erhöhen Sie zur Prüfung die Lautstärke.

- Es könnte sein, dass der Ton nur aus einem Lautsprecher kommt Überprüfen Sie die Balance-Einstellung im **Ton**-Menü.

### **Fernbedienung - keine Funktion**

- Möglicherweise sind die Batterien leer. Ersetzen Sie diese.

### **Eingangsquellen - können nicht ausgewählt werden**

- Wenn Sie keine Eingabequelle wählen können, haben Sie wahrscheinlich kein Gerät angeschlossen. Wenn nicht;
- Prüfen Sie die AV-Kabel und deren Anschlüsse, wenn Sie versuchen, die dem angeschlossenen Gerät zugewiesene Eingangsquelle einzuschalten.

## Spezifikationen

<b>TV-Übertragung</b>	PAL BG/DK/II' SECAM BG/DK			
<b>Empfangskanäle</b>	VHF (BAND I/III) - UHF (BAND U) - HYPERBAND			
<b>Digitaler Empfang</b>	Vollintegriertes Digitale Terrestrische-Kabel TV(DVB-T-C) (DVB-T2 kompatibel)			
<b>Anzahl der voreingestellten Kanäle</b>	1.000			
<b>Kanalanzeige</b>	Bildschirmanzeige			
<b>RF-Antenneneingang</b>	75 Ohm (nicht geregelt)			
<b>Betriebsspannung</b>	220-240V AC, 50Hz.			
<b>Audio</b>	German+Nicam Stereo			
<b>Bildschirm</b>	24"	32"	43"	49"
<b>Audio-Ausgangsleistung (WRMS.) (10% THD)</b>	2x2,5W	2x6W	2x8W	2x8W
<b>Leistungsaufnahme (W)</b>	45W	65W	75W	75W
<b>Gewicht (kg)</b>	3,45 kg	5,60 kg	9,30 kg	11,35 kg
<b>TV-Abmessungen TxBxH (Mit Standfuß) (mm)</b>	134x554x370 mm	185x735x478 mm	220x974x615 mm	220x1112x692 mm
<b>TV-Abmessungen TxBxH (ohne Standfuß) (mm)</b>	35(min)/61(max)x554x339mm	77(min)/89(max)x735x438mm	64(min)/93(max)x974x572mm	60(min)/91(max)x1112x653mm
<b>Temperatur und Luftfeuchtigkeit im Betrieb:</b>	0°C bis 40°C, max. 85% Feuchtigkeit			



## Typische Anzeigemodi PC-Eingang

In der folgenden Tabelle werden einige der üblichen Video Display-Modi dargestellt.

Index	Auflösung	Frequenz
1	640x350	85Hz
2	640x400	70Hz
3	640x480	60Hz
4	640x480	66Hz
5	640x480	72Hz
6	640x480	75Hz
7	640x480	85Hz
8	800x600	56Hz
9	800x600	60Hz
10	800x600	70Hz
11	800x600	72Hz
12	800x600	75Hz
13	800x600	85Hz
14	832x624	75Hz
15	1024x768	60Hz
16	1024x768	66Hz
17	1024x768	70Hz
18	1024x768	72Hz
19	1024x768	75Hz
20	1024x768	85Hz
21	1152x864	60Hz
22	1152x864	70Hz
23	1152x864	75Hz
24	1152x864	85Hz
25	1152x870	75Hz
26	1280x768	60Hz
27	1360x768	60Hz
28	1280x768	75Hz
29	1280x768	85Hz
30	1280x960	60Hz
31	1280x960	75Hz
32	1280x960	85Hz
33	1280x1024	60Hz
34	1280x1024	75Hz
35	1280x1024	85Hz
36	1400x1050	60Hz
37	1400x1050	75Hz
38	1400x1050	85Hz
39	1440x900	60Hz
40	1440x900	75Hz
41	1600x1200	60Hz
42	1680x1050	60Hz
43	1920x1080	60Hz
44	1920x1200	60Hz

## AV- und HDMI-Signalkompatibilität

Quelle	Unterstützte Signale		Verfügbar
EXT (SCART)	PAL		O
	SECAM		O
	NTSC4.43		O
	NTSC3.58		O
Seiten-AV	PAL		O
	SECAM		O
	NTSC4.43		O
	NTSC3.58		O
PC/YPbPr	480i, 480p	60Hz	O
	576i, 576p	50Hz	O
	720p	50Hz, 60Hz	O
	1080i	50Hz, 60Hz	O
HDMI	480i, 480p	60Hz	O
	576i, 576p	50Hz	O
	720p	50Hz, 60Hz	O
	1080i	50Hz, 60Hz	O
	1080p	24Hz, 25Hz, 30Hz, 50Hz, 60Hz	O

## Im USB-Modus unterstützte Videodateiformate

Erweiterung	Video-Codec	SPEC (Auflösung) & Bitrate
.dat, vob	MPEG1/2	1080P@30fps - 40 Mbps
.mpg, .mpeg	MPEG1/2, MPEG4	
.ts, .trp, .tp	MPEG1/2, H.264, AVS, MVC	<b>H.264:</b> 1080Px2@30fps - 62,5 Mbps, 1080P@60fps - 62,5 Mbps <b>MVC:</b> 1080P@30fps - 62,5 Mbps <b>Andere:</b> 1080P@30fps - 40Mbps
.mp4, .mov, .3gpp, .3gp	MPEG1/2, MPEG4, H.263, H.264, Motion JPEG	<b>H.264:</b> 1080Px2@30fps - 62,5 Mbps, 1080P@60fps - 62,5 Mbps <b>Motion JPEG:</b> 640x480@30fps - 10 Mbps <b>Andere:</b> 1080P@30fps - 40 Mbps
.avi	MPEG1/2, MPEG4, Sorenson H.263, H.263, H.264, WMV3, Motion JPEG	
.mkv	MPEG1/2, MPEG4, H.263, H.264, WMV3, Motion JPEG	
.asf	Sorenson H.263, H.264, WMV3, Motion JPEG	
.flv	WMV3	1080P@30fps - 40 Mbps
.swf	RV30/RV40	1080P@30fps - 40 Mbps
.wmv		
.mp4, .mov, .3gpp, .3gp, MPEG-Transportstream, .ts, .trp, .tp, .mkv	HEVC/H.265	1080P@60fps - 50Mbps

## Im USB-Modus unterstützte Bilddateiformate

Bild	Foto	Auflösung (Breite x Höhe)	Hinweis
JPEG	Baseline	15360x8640	Die Obergrenze für die maximale Auflösung ist abhängig von der DRAM-Größe.
	Progressiv	1024x768	
PNG	non-interlace	9600x6400	
	Interlace	1200x800	
BMP		9600x6400	

## Im USB-Modus unterstützte Audiodateiformate

Erweiterung	Audio-Codec	Bitrate	Sample-Rate
.mp3,	MPEG1/2 Layer1	32Kbps ~ 448Kbps	16KHz ~ 48KHz
	MPEG1/2 Layer2	8Kbps ~ 384Kbps	
	MPEG1/2 Layer3	8Kbps ~ 320Kbps	
.avi	MPEG1/2 Layer1	32Kbps ~ 448Kbps	16KHz ~ 48KHz
	MPEG1/2 Layer2	8Kbps ~ 384Kbps	
	MPEG1/2 Layer3	8Kbps ~ 320Kbps	
	AC3	32Kbps ~ 640Kbps	32KHz, 44,1KHz, 48KHz
	AAC, HEAAC		8KHz ~ 48KHz
	WMA	128bps ~ 320Kbps	8KHz ~ 48KHz
	WMA 10 Pro M0	< 192kbps	48KHz
	WMA 10 Pro M1	< 384kbps	48KHz
	WMA 10 Pro M2	< 768kbps	96KHz
	LPCM	64Kbps ~ 1,5Mbps	8KHz ~ 48KHz
	IMA-ADPCM, MS-ADPCM	384Kbps	8KHz ~ 48KHz
G711 A/mu-law	64Kbps ~ 128Kbps	8KHz	
.asf	MPEG1/2 Layer1	32Kbps ~ 448Kbps	16KHz ~ 48KHz
	MPEG1/2 Layer2	8Kbps ~ 384Kbps	
	MPEG1/2 Layer3	8Kbps ~ 320Kbps	
	WMA	128bps ~ 320Kbps	8KHz ~ 48KHz
	WMA 10 Pro M0	< 192kbps	48KHz
	WMA 10 Pro M1	< 384kbps	48KHz
	WMA 10 Pro M2	< 768kbps	96KHz
.mkv, .mka	MPEG1/2 Layer1	32Kbps ~ 448Kbps	16KHz ~ 48KHz
	MPEG1/2 Layer2	8Kbps ~ 384Kbps	
	MPEG1/2 Layer3	8Kbps ~ 320Kbps	
	AC3	32Kbps ~ 640Kbps	32KHz, 44,1KHz, 48KHz
	AAC, HEAAC		8KHz ~ 48KHz
	WMA	128bps ~ 320Kbps	8KHz ~ 48KHz
	WMA 10 Pro M0	< 192kbps	48KHz
	WMA 10 Pro M1	< 384kbps	48KHz
	WMA 10 Pro M2	< 768kbps	96KHz
	VORBIS		Bis zu 48KHz
	LPCM	64Kbps ~ 1,5Mbps	8KHz ~ 48KHz
	IMA-ADPCM, MS-ADPCM	384Kbps	8KHz ~ 48KHz
	G711 A/mu-law	64Kbps ~ 128Kbps	8KHz
	FLAC	< 1.6Mbps	8KHz ~ 96KHz
.ts, .trp, .tp, .dat, .vob, .mpg, .mpeg	MPEG1/2 Layer1	32Kbps ~ 448Kbps	16KHz ~ 48KHz
	MPEG1/2 Layer2	8Kbps ~ 384Kbps	
	MPEG1/2 Layer3	8Kbps ~ 320Kbps	
	AC3	32Kbps ~ 640Kbps	32KHz, 44,1KHz, 48KHz
	EAC3	32Kbps ~ 6Mbps	32KHz, 44,1KHz, 48KHz
	AAC, HEAAC		8KHz ~ 48KHz
	LPCM	64Kbps ~ 1,5Mbps	8KHz ~ 48KHz

Erweiterung	Audio-Codec	Bitrate	Sample-Rate
.wav	MPEG1/2 Layer1	32Kbps ~ 448Kbps	16KHz ~ 48KHz
	MPEG1/2 Layer2	8Kbps ~ 384Kbps	
	MPEG1/2 Layer3	8Kbps ~ 320Kbps	
	LPCM	64Kbps ~ 1,5Mbps	8KHz ~ 48KHz
	IMA-ADPCM, MS-ADPCM	384Kbps	8KHz ~ 48KHz
	G711 A/mu-law	64Kbps ~ 128Kbps	8KHz
.3gpp, .3gp, .mp4, .mov, .m4a	MPEG1/2 Layer3	8Kbps ~ 320Kbps	16KHz ~ 48KHz
	AC3	32Kbps ~ 640Kbps	32KHz, 44,1KHz, 48KHz
	EAC3	32Kbps ~ 6Mbps	32KHz, 44,1KHz, 48KHz
	AAC, HEAAC		8KHz ~ 48KHz
	VORBIS		Bis zu 48KHz
	LPCM	64Kbps ~ 1,5Mbps	8KHz ~ 48KHz
	IMA-ADPCM, MS-ADPCM	384Kbps	8KHz ~ 48KHz
	G711 A/mu-law	64Kbps ~ 128Kbps	8KHz
.flv	MPEG1/2 Layer3	8Kbps ~ 320Kbps	16KHz ~ 48KHz
	AAC, HEAAC		8KHz ~ 48KHz
.ac3	AC3	32Kbps ~ 640Kbps	32KHz, 44,1KHz, 48KHz
	AAC, HEAAC		8KHz ~ 48KHz
.swf	MPEG1/2 Layer3	8Kbps ~ 320Kbps	16KHz ~ 48KHz
.ec3	EAC3	32Kbps ~ 6Mbps	32KHz, 44,1KHz, 48KHz
.rm, .rmvb, .ra	AAC, HEAAC		8KHz ~ 48KHz
	LBR (cook)	6Kbps ~ 128Kbps	8KHz, 11,025KHz, 22,05KHz, 44,1KHz
.wma, .wmv	WMA	128bps ~ 320Kbps	8KHz ~ 48KHz
	WMA 10 Pro M0	< 192kbps	48KHz
	WMA 10 Pro M1	< 384kbps	48KHz
	WMA 10 Pro M2	< 768kbps	96KHz
.webm	VORBIS		Bis zu 48KHz

## Im USB-Modus unterstützte Dateiformate

Interne Untertitel		
Erweiterung	Behälter	Untertitelcode
dat, mpg, mpeg, vob	MPG, MPEG	DVD-Untertitel
ts, trp, tp	TS	DVB-Untertitel
mp4	MP4	DVD-Untertitel UTF-8 Plain Text
mkv	MKV	ASS SSA UTF-8 Plain Text VobSub DVD-Untertitel

Ext. Untertitel		
Erweiterung	Untertitel-Parser	Hinweis
.srt	Subrip	
.ssa/ .ass	SubStation Alpha	
.smi	SAMI	
.sub	SubViewer MicroDVD DVDSubtitleSystem SubIdx (VobSub)	Nur SubViewer 1.0 & 2.0
.txt	TMPlayer	

## Contents

- Avisos, funciones y accesorios.....4
- Ahorro Energético.....4
- Botón de desplazamiento del televisor.....4
- Encendido/Apagado .....4
- Instalación inicial .....4
- Reproducción de archivos multimedia desde una unidad USB .....5
- Menú del Explorador multimedia .....6
- CEC .....6
- Modificar los Ajustes del Televisor.....6
- Opciones de Pantalla .....6
- Opciones de Sonido .....7
- Configuración de opciones de control paterno .....7
- Guía Electrónica de Programación (EPG).....7
- Actualización del Televisor .....8
- Solución de problemas y consejos .....8
- Modos de visualización habituales para la entrada de PC .....10
- Compatibilidad con señales AV y HDMI .....10
- Formatos de ficheros de vídeo admitidos para el modo USB .....11
- Formatos de ficheros de fotos admitidos para el modo USB .....11
- Formatos de ficheros de audio admitidos para el modo USB .....12
- Formatos de ficheros de subtítulos admitidos para el modo USB .....13

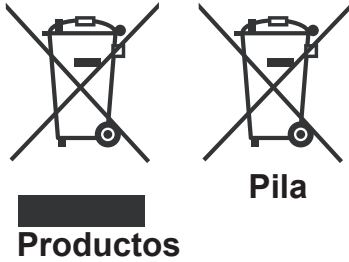
## Importante

‘Antes de instalar y poner el televisor en funcionamiento, lea el folleto de seguridad adjunto completamente para entenderlo. La garantía quedará anulada en caso de sufrir cualquier daño a causa de no seguir dichas instrucciones.’

### Desecho de equipos viejos y Pilas gastadas

Por favor, no deseche este televisor ni las pilas como basura normal. Considere utilizar un sistema de recogida o instalaciones de reciclaje apropiadas, si quiere deshacerse del aparato o de las pilas.

**Aviso:** El signo Pb situado bajo el símbolo de las baterías, indica que esta batería contiene plomo.





### Teletexto

Pulse la tecla **Text** para ver la información del teletexto digital. Púlsela de nuevo para activar el modo de mezcla, que le permite ver a la vez el teletexto y la emisión del programa. Púlsela de nuevo para salir. Si la opción estuviera disponible, las distintas partes de la página de teletexto aparecen codificadas por color, pudiendo seleccionarse con las teclas de colores. Use la navegación o los botones **Canal +/-** para navegar por las páginas. La forma de manejo puede variar en función de los contenidos del teletexto digital. Siga las instrucciones mostradas en la pantalla.

1. **Modo de espera:** Encender/Apagar el televisor
2. **Texto:** Muestra el teletexto (si estuviera disponible); púlselo de nuevo para superponer el teletexto sobre la imagen (mezcla)
3. **Alto:** Detiene la reproducción de ficheros multimedia
4. **Pantalla:** Cambia la relación de aspecto de la pantalla
5. **Fuente:** Muestra todas las fuentes de señales y contenidos
6. **Menú:** Muestra el menú del Televisor
7. **Cambiar:** Alterna rápidamente entre los canales anteriores y actuales o fuentes  
Si el **modo Hotel** está fijado como **Encendido**, al pulsar esta tecla puede cambiar entre los tipos de canales de red DVB-T&Analogue y DVB-Cable&Analogue
8. **Teclas de desplazamiento:** Sirven para desplazarse por los menús, contenidos, etc. también muestra las páginas secundarias del teletexto cuando se pulsen las teclas izquierda o derecha
9. **Canal - / Página -** (en el modo TXT)
10. **Volumen -**
11. **Tecla verde:** Siga las instrucciones en pantalla para las funciones de las teclas de colores
12. **Tecla Roja:** Siga las instrucciones en pantalla para las funciones de las teclas de colores
13. **Teclas numéricas:** Cambia el canal, entra en un número o una letra en el cuadro de texto en la pantalla.
14. **Subtítulos:** Muestra u oculta los subtítulos (si la opción estuviera disponible)
15. **Idioma:** Alterna entre las opciones de audio en televisión analógica, o muestra y cambia el idioma del audio o los subtítulos (televisión digital, cuando la opción esté disponible)
16. **Tecla azul:** Siga las instrucciones en pantalla para las funciones de las teclas de colores
17. **Tecla amarilla:** Siga las instrucciones en pantalla para las funciones de las teclas de colores
18. **Volumen +**
19. **Silencio:** Silencia totalmente el volumen del televisor
20. **Canal + / Página +** (en modo TXT)
21. **Return/Back:** Regresa a la pantalla anterior, abre la página índice (del modo teletexto)
22. **OK:** Sirve para confirmar la selección del usuario, detiene el avance de la página (modo teletexto), ver la lista de canales
23. **Info:** Muestra información sobre el contenido de la pantalla, muestra información oculta (revelar - en modo teletexto)
24. **Reproducir:** Inicia la reproducción de los ficheros seleccionados
25. **Pausa:** Pausa la reproducción del fichero en curso
26. **Sleep:** Para poder apagar automáticamente el televisor
27. **EPG (Guía Electrónica de Programación):** Muestra la guía electrónica de programación

**Nota:** El alcance del mando a distancia es de unos 7 metros (23 pies) aproximadamente.

## Avisos, funciones y accesorios

### Ahorro Energético

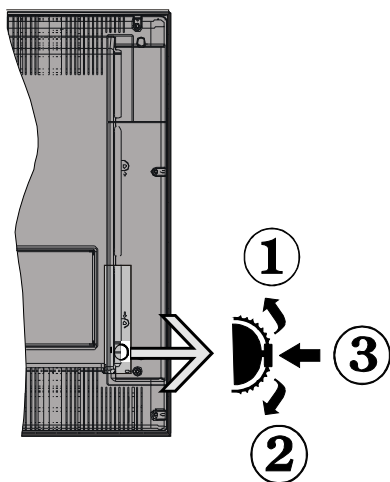
Este televisor está diseñado y equipado con funciones de ahorro energético:

- **Ahorro energético:** Le permite aplicar una combinación de ajustes de imagen para ahorrar consumo. Pulse la tecla **Menu** mientras esté viendo la televisión; podrá encontrar la opción de **Ahorro energético** dentro del menú de **Imagen**, en el menú principal.
- **Modo de Apagado de Imagen:** Puede apagar la imagen en pantalla si solo quiere escuchar el sonido del televisor. El resto de funciones seguirán normalmente. Mientras ve la televisión, pulse la tecla **Menu** y seleccione **Imagen**, y de allí seleccione la opción Modo de **Ahorro energético**. Pulse el botón Derecho mientras la opción **Auto** es seleccionada o el botón Izquierda mientras la opción **Custom** es seleccionada. Aparecerá un mensaje en la pantalla. Seleccione la opción **Continuar** y pulse **OK** para apagar la pantalla de inmediato. Si no pulsa ningún botón, la pantalla se apagará en 15 segundos. Para encender la pantalla otra vez, pulse cualquier tecla del mando a distancia o del televisor.

**Nota:** La opción de **Apagar pantalla** no estará disponible si el modo está ajustado en **Juego**. En caso de que no vaya a utilizar el televisor durante mucho tiempo, desenchúfelo de la pared.

### Botón de desplazamiento del televisor

La tecla TV scroll le permite manejar el volumen, cambiar de canal, y el Modo de Espera del televisor.



**Para cambiar el volumen:** Súbalo desplazando la tecla hacia arriba. Bájelo desplazando la tecla hacia abajo.

**Para cambiar el canal:**

- Pulse la tecla central hasta que aparezca en pantalla la barra de información del canal.
- Desplácese a través de los canales almacenados pulsando el botón hacia arriba o hacia abajo.

**Para cambiar de fuente:**

- Pulse dos veces el centro del botón (por segunda vez en total), y aparecerá la lista de fuentes en la pantalla.
- Desplácese por las fuentes disponibles pulsando el botón arriba o abajo.

**Puesta del televisor en Modo de espera:** Si aprieta en el centro del botón abajo y lo mantiene pulsado unos segundos, el televisor pasará al modo de espera.

**Para encender el televisor desde el modo en espera:** Pulse el centro del botón y se encenderá la TV.

**Notas:**

*Si apaga el televisor, el ciclo se iniciará de nuevo con el ajuste de volumen.*

*No es posible mostrar el menú principal en pantalla mediante el botón de control.*

### Encendido/Apagado

**Para encender el televisor**

Para encender el televisor desde el modo de espera puede realizarlo de dos modos:

- Pulse el botón **Modo en espera, Canal/Programa+/-** o un botón numérico del mando a distancia.
- Pulse el centro del selector de funciones lateral del televisor.

**Nota:** El televisor pasará al modo de espera si se ha encendido y no se usa durante un cierto tiempo. La próxima vez que encienda el televisor, el mensaje mostrará lo siguiente. "**Modo en espera por inactividad**"; Pulse **OK** para continuar.

**Para apagar el televisor**

- Pulse el botón **Standby (Modo en Espera)** en el mando a distancia o pulse el botón central de la palanca de función en el televisor por unos segundos hasta que el televisor cambie al modo en espera.

**Nota:** Para apagar el televisor por completo, desenchufe el cable de alimentación de la toma de corriente.

### Instalación inicial

Al encender el televisor por primera vez, podrá ver la pantalla de selección de idioma. Seleccione el que quiera y pulse **OK**.

**Nota:** Si hay un dispositivo **USB** conectado al televisor, puede pulsar la tecla **VERDE** en el mando a distancia antes de continuar, con el fin de cargar los datos de la **NVRAM** (lista de servicios, preferencias, etc.) desde el dispositivo **USB** que se carga desde otro televisor **Philips Hotel**. Consulte las secciones "**Copiar a USB**" y "**Copiar de USB**" bajo el título **Modo Hotel** en las páginas al final de este manual.

Si el fichero de actualización de software correcto está preinstalado en el dispositivo **USB**, puede pulsar la tecla **ROJA** del mando a distancia antes de continuar, con



el fin de actualizar el software del televisor. El fichero de actualización de software debe ser nombrado como "VES162HE\_upgrade.bin" o "Philips\_upgrade\_mb110.bin".

La actualización de software a través de un dispositivo USB se puede hacer en cualquier momento mediante el uso de la combinación de teclas ocultas, "Menu-1-5-0-5".

En la siguiente pantalla, configure las preferencias utilizando los botones de dirección y, cuando termine, pulse **OK** para continuar.

Siguiendo las instrucciones del menú en pantalla de Instalación Inicial (FTI), podrá configurar el televisor siguiendo las secciones que vienen.

### Instalación de Antena digital

Si la opción de búsqueda de emisiones **Antena Digital** está encendida, el televisor buscará emisiones terrestres digitales después de que otros ajustes iniciales se hayan completado.

### Instalación de cable digital

Si la opción de búsqueda de emisiones de **Cable Digital** está activada, el televisor buscará emisiones digitales por cable después de que otros ajustes iniciales hayan sido completados. De acuerdo a sus preferencias un mensaje de confirmación puede aparecer antes de empezar a buscar. Para una instalación automática en caso de que su proveedor de red de Cable soporte una instalación basada en Network-ID (ej. Unitymedia), seleccione **SÍ** en la siguiente pantalla y pulse **OK**.

En caso de que su proveedor de red de Cable no sea compatible con una instalación basada en Network-ID por favor seleccione No y pulse **OK** y siga las instrucciones en pantalla.

Desde esta ventana podrá elegir los rangos de frecuencia. Introduzca el número de canal o frecuencia mediante las teclas numéricas.

**Nota:** La duración de la búsqueda cambiará en función del Paso de Búsqueda seleccionado.

### Instalación analógica

Si la opción de búsqueda de emisiones **Analógicas** está encendida, el televisor buscará emisiones terrestres analógicas después de que otros ajustes iniciales se hayan completado.

Además, puede definir un tipo de emisión como su favorita. Se dará prioridad al tipo de emisión seleccionado durante el proceso de búsqueda y los canales de la misma se incluirán en la parte superior de la **Lista de canales**. Cuando termine, pulse **OK** para continuar.

Sigue la selección del Modo **Hogar / Tienda**. Para su uso en hogares, le recomendamos que seleccione el **Modo Hogar**.

Después de que los ajustes iniciales se completan el televisor comenzará a buscar transmisiones disponibles de los tipos de difusión seleccionados.

Mientras continúa la búsqueda puede aparecer un mensaje preguntándole si desea ordenar los canales según LCN(\*). Seleccione la opción **SI** y pulse **OK** para confirmar.

(\* *LCN responde a las siglas de Número Lógico de Canal; es un sistema que organiza las señales de emisión disponibles según una secuencia de canales reconocible (si estuviera disponible la opción).*

Después de que se almacenan todas las emisoras disponibles, se mostrarán los resultados de la exploración. Pulse **OK** para continuar. El menú **Editar Lista de Canales** se mostrará después. Pulse la tecla Menu para salir de Editar **lista de canales** y ver la televisión.

**Nota:** No apague el televisor mientras realice la Primera Instalación. Tenga en cuenta que, algunas opciones pueden no estar disponibles en función de la selección del país.

## Reproducción de archivos multimedia desde una unidad USB

Puede reproducir archivos de fotos, música y películas almacenados en un disco USB al conectarlo a su televisor. Conecte un disco USB a la entrada ubicada en la parte trasera del televisor. El dispositivo USB será reconocido automáticamente por el televisor y se abrirá el menú del **Explorador multimedia**. También puede acceder al menú **Explorador multimedia** desde el menú principal del televisor. Pulse el botón Menú, seleccione Explorador de medios de la lista y pulse el botón OK para entrar.

Después de seleccionar un tipo de papel deseado en el menú principal del **Explorador multimedia**, al pulsar el botón de **Menu**, accederá a las opciones del menú **Imagen, Sonido y Configuración**. Pulse el botón **Menu** de nuevo para salir de esta pantalla. Podrá configurar las preferencias del **Explorador multimedia** en el menú de **Configuración**.

Para activar la función de **Reproducción automática** resalte esta opción en el menú de **Configuración** y ajuste a **Encendido** en el uso de los botones direccionales. Cuando esta característica está habilitada, el televisor detecta los dispositivos USB conectados y busca los ficheros de medios.

Los ficheros de fotos se buscan primero. Si no se encuentran los ficheros de fotos, el programa busca los ficheros de vídeo. Si no se encuentran los ficheros de vídeo, el programa busca los ficheros de audio.

Después de encontrar un fichero para jugar, el formato de este fichero se selecciona como una elección constante y cada fichero con este formato se jugará en un bucle infinito. El uso del control a





distancia para salir etc. interrumpirá la reproducción del(os) fichero(s) y romper el bucle de juego.

Cuando el televisor no puede encontrar ningún fichero multimedia, el menú principal del navegador de medios se mostrará en la pantalla. Ajuste el **Estilo de Vista** como **Plano** para todos los ficheros buscados en todas las subcarpetas en el dispositivo USB.

**Nota:** Esta función no estará disponible si el televisor está en modo de espera (standby).

**¡IMPORTANTE!** Realice una copia de seguridad de sus archivos antes de realizar cualquier conexión al televisor. Tenga en cuenta que el fabricante no se responsabiliza de la pérdida o daños de ficheros o datos. Es posible que algunos dispositivos USB (por ejemplo, reproductores MP3), o algunos discos duros/lápices USB no sean compatibles con el televisor.

### Menú del Explorador multimedia

Funcionamiento del Modo Bucle/Aleatorio	
Inicie la reproducción con la tecla de <b>Reproducción</b> y active 	Todos los ficheros de la lista se reproducirán de forma continua en el orden original
Inicie la reproducción con la tecla <b>OK</b> y active 	El mismo fichero se reproducirá en un bucle (repetición).
Inicie la reproducción con la tecla de <b>Reproducción</b> y active 	Se reproducirán todos los ficheros del disco en orden aleatorio.
Inicie la reproducción con la tecla de <b>Reproducción</b> y active 	Todos los ficheros de la lista se reproducirán de forma continua en orden aleatorio.

### CEC

Esta función permite controlar los dispositivos habilitados para CEC, conectados a través de puertos HDMI, utilizando el mando a distancia del televisor.

La opción **CEC** en el menú **Configuración>Más** debe estar **Activado** desde un principio. Pulse el botón de **Fuente** y seleccione la entrada HDMI del dispositivo CEC, en el menú de la **Lista de Fuentes**. Cuando se encuentra conectado un dispositivo de fuente de la CCA, aparece en el menú de fuentes, con su propio nombre en lugar del nombre de puertos HDMI conectado (como reproductor de DVD, grabadora de 1, etc.).

El mando a distancia del televisor podrá, de forma automática, realizar las funciones principales tras seleccionar la fuente de HDMI conectada.

Para finalizar esta operación y controlar el televisor de nuevo con el mando a distancia, mantenga pulsada la tecla "0-Cero" del mando durante 3 segundos. Esta función también puede activarse o desactivarse en el menú **Configuración>Más**.

El televisor también admite la función ARC (Canal de Retorno de Audio). Esta función es una conexión de audio destinada a sustituir a otros cables entre el televisor y el sistema de audio (un receptor A/V o un equipo de altavoces).

Cuando se activa la función ARC, el televisor no silencia sus otras salidas de audio de forma automática. Por lo que necesitará disminuir el volumen del televisor a cero de forma manual, si desea escuchar el audio solo desde el dispositivo conectado (igual que las otras salidas de audio digital óptico o coaxial). Si desea cambiar el nivel de volumen del dispositivo conectado, hay que seleccionar el dispositivo de la lista de fuentes. En ese caso, las teclas de control de volumen se dirigen al dispositivo de audio conectado.

**Nota:** ARC solo se admite a través de la entrada HDMI1.

### Control de Audio del Sistema

Permite que un amplificador de audio / receptor se use con el televisor. El volumen se puede controlar con el mando a distancia del televisor. Para activar esta función se configura la opción **Altavoces** en el menú **Configuración>Más** como **Amplificador**. Los altavoces del televisor se silenciarán y el sonido de la fuente visto serán proporcionados desde el sistema de sonido conectado.

**Nota:** El dispositivo de audio debería admitir la función de Control de Audio del Sistema, y la opción **CEC** debería estar **Activada**.

### Modificar los Ajustes del Televisor

Para acceder a las opciones siguientes;

- 1- Pulse la tecla **Menu**
- 2- Marque su elección
- 3- Pulse **OK** para confirmar

### Opciones de Pantalla

**Modo:** Cambia el modo de imagen a una de las opciones siguientes: **Cine, Juegos(\*), Deportes, Dinámica y Natural**.

(\* **Juego** Es posible que algunas de las funciones no estén disponibles según la fuente seleccionada.

**Contraste:** Configura los valores de iluminación y oscuridad de la imagen.

**Brillo:** Configura los valores del brillo de la imagen.

**Nitidez:** Ajusta el valor de nitidez. Un valor alto en nitidez puede conseguir una imagen más clara en función del contenido.

**Color:** Ajusta el color.

**Retroiluminación:** Controla el brillo de la retroiluminación. La función de luz de fondo estará inactiva si el **Ahorro de energía** se establece en una opción distinta a **Personalizada**.

## Opciones de Sonido

**Volumen:** Ajusta el nivel del volumen.

**Ecualizador:** Cambia la ecualización del sonido.

**Balance:** Ajusta de donde procede el sonido principalmente, si del altavoz derecho o del izquierdo.

**Auriculares:** Fija el volumen de los auriculares. Esta opción estará inactiva si la opción **Auriculares/Línea de salida (Headphone/Lineout)** está seleccionada como **Línea de salida (Lineout)**.

**Modo de sonido:** Ajusta el modo de sonido preferido.

**AVL:** Fija un límite máximo de volumen de salida del sonido.

**Auriculares/Línea de salida:** Mediante esta opción podrá establecer una conexión con auriculares o línea de salida si ha conectado unos auriculares o un amplificador externo a la toma.

**Dynamic bass:** Esta función activa o desactiva la función de Graves Dinámicos. incrementa el rango de graves.

**Sonido Surround:** El modo de audio envolvente puede **Encenderse y Apagarse**.

**Salida digital:** Fija el tipo de salida de audio digital.

## Configuración de opciones de control paterno

Esta función sirve para restringir el acceso a determinados contenidos. La controlará gracias a un PIN que usted defina. Estos valores se encuentran en el menú **Configuración>Bloqueo Parental**.

**Nota:** El PIN por defecto se puede configurar para **0000** o **1234**. Si ha definido el PIN(que se solicitará en función del país seleccionado) durante la **Instalación Inicial** use dicho PIN.

*Algunas opciones pueden no estar disponibles en función de la selección del país en la **Instalación Inicial**.*

**Bloq menú:** La opción de bloqueo de menú es la que activa o desactiva el acceso a los mismos.

**Bloqueo por edad (opcional):** Si se establece esta opción, TV obtiene la información sobre la emisión y si este nivel de madurez está desactivado, desactiva el acceso a la emisión.

**Bloqueo infantil (opcional):** Si activa el Bloqueo Infantil, el televisor solo podrá manejarse mediante el mando a distancia. Si es así, los botones del panel de control no funcionarán.

**Guidance (optional):** Este parámetro activa o desactiva el acceso a algunas de las aplicaciones MHEG. Aplicaciones de movilidad pueden ser liberadas mediante la introducción del PIN correcto.

**Set PIN (Establecer PIN):** Define un nuevo PIN.

**PIN de CICAM Predeterminado:** Esta opción aparecerá en gris si no hay ningún módulo CI insertado en la ranura CI de su televisor. Se puede cambiar el PIN predeterminado de CAM de CI con esta opción.

## Guía Electrónica de Programación (EPG)

Algunos canales envían la información sobre sus horarios de programación. Pulse la tecla **Epg** para ver el menú de electrónica de programación (EPG). Hay 3 tipos diferentes diseños de programación disponibles, **Horario Cronograma**, **Lista de horario** y **Horario Ahora/Siguiente**. Para cambiar entre las opciones siga las instrucciones que aparecen en la parte inferior de la pantalla.

### Horario Cronograma

**Zoom (Botón amarillo):** Pulse la tecla amarilla para ver los eventos de un rango de tiempo más amplio.

**Filtrar (Botón azul):** Muestra las opciones de los filtros.

**Seleccionar género (Botón Subtitles /Subtítulos):** Muestra el menú **Seleccionar género**. Mediante esta función podrá buscar en la base de datos de la guía de programas, según el género seleccionado. Se buscará información disponible en la guía de programas y los resultados que coincidan con sus criterios se resaltarán.

**Opciones (Botón OK):** Muestra las opciones del evento.

**Detalles del Evento (Botón Info):** Muestra la información detallada de los eventos seleccionados.

**Día Siguiente/Anterior (Next/Prev Day) (Botones Programa +/-):** Muestra los eventos del día anterior o siguiente.

**Buscar (Botón Text):** Muestra el menú **Buscar / Guía (Guide Search)**.

**Ahora (Botón Swap):** Muestra el evento actual del canal resaltado.

### Lista de Horario(\*)

(\*) En esta opción de diseño, solo los eventos del canal resaltado serán listados.

**Ant. Franja Horaria (Botón Rojo):** Muestra los eventos de la franja horaria anterior.

**Día Siguiente/Anterior (Next/Prev Day) (Botones Programa +/-):** Muestra los eventos del día anterior o siguiente.

**Detalles del Evento (Botón Info):** Muestra la información detallada de los eventos seleccionados.

**Filtro (Botón Text):** Muestra las opciones de los filtros.

**Siguiente Franja Horaria (Botón Verde):** Muestra los programas de la siguiente franja horaria.

**Opciones (Botón OK):** Muestra las opciones del evento.

### Horario Ahora/Siguiente

**Navegar (Botones de dirección):** Pulse los **botones direccionales** para desplazarse por la lista de canales o eventos.

**Opciones (Botón OK):** Muestra las opciones del evento.

**Detalles del Evento (Botón Info):** Muestra la información detallada de los eventos seleccionados.

**Filtrar (Botón azul):** Muestra las opciones de los filtros.

### Opciones del Evento

En el menú EPG, pulse la tecla **OK** para abrir el menú **Opciones de Evento**.

**Seleccionar Canal:** En el menú EPG, puede cambiar al canal seleccionado utilizando esta opción.

**Temporizador de Evento / Eliminar temporizador en Evento:** Después de haber seleccionado un programa en el menú EPG pulse el botón **OK**. Seleccione la opción **Fijar temporizador en Evento** y pulse la tecla **OK**. Puede fijar temporizadores para eventos futuros. Para cancelar un temporizador establecido, resalte ese evento y pulse el botón **OK**. A continuación, seleccione la opción **Eliminar temporizador en Evento**. Se cancelará el temporizador.

### Actualización del Televisor

Podrá ver la versión actual del software del televisor accediendo a la opción de **Configuración>Más** del software actual mostrado.

**PRECAUCIÓN:** No instale una versión más antigua que la actualmente instalada. TP Vision no se responsabilizará de ningún problema derivado de un cambio a una versión anterior.

### Actualización por USB

Antes de actualizar el software, asegúrese de tener:

- Un dispositivo USB con un mínimo de 256Mb, con formato FAT32 o DOS, y desprotegido contra escritura.
- Acceso a un PC con conexión USB e Internet

Visitar la web [www.philips.com/support](http://www.philips.com/support), y seguir las instrucciones para la actualización.

### Actualización automática a través de la señal de emisión

Mientras el televisor esté conectado a una señal de antena. Si la **Exploración automática** en el menú **Opciones de Actualización** está **Habilitada**, el televisor se despierta a las 3:00 y busca canales para nuevas actualizaciones de software transmitido. Si encuentra y descarga una nueva actualización, la siguiente vez que se encienda será con la nueva versión de software. Para abrir el menú de **Opciones de actualización**, entre al menú **Configuración>Más**, resalte **Actualización de software** y pulse el botón **OK**.

**Nota:** No desconecte el cable de alimentación mientras que el LED parpadea durante el proceso de reinicio. Si el televisor no se enciende tras la actualización, desenchufe el televisor por 2 minutos y enchúfelo de nuevo.

## Solución de problemas y consejos

### El televisor no se enciende

Compruebe si el cable está bien enchufado a la toma de corriente. Compruebe si se han agotado las pilas. Pulse la tecla de encendido del televisor.

### Mala calidad de imagen

- Compruebe si ha elegido el televisor adecuado.
- La baja intensidad de la señal puede distorsionar la imagen. Compruebe el estado de la antena.
- Verifique si la frecuencia introducida es la adecuada.
- Cuando se conectan al televisor dos equipos periféricos a la vez puede disminuir la calidad de la imagen. En ese caso, desconecte uno de los equipos periféricos.

### Sin imagen

- Significa que su televisor no está recibiendo ninguna señal. Asegúrese también de haber seleccionado la fuente de entrada correcta.
- ¿Está la antena conectada correctamente?
- ¿Ha conectado el cable de la antena?
- ¿Está utilizando los enchufes apropiados para conectar la antena?
- Si tiene dudas, consulte con su distribuidor.

### No hay audio

- Compruebe si ha silenciado el sonido del televisor. Pulse **Mute** o suba el volumen para comprobarlo.
- El sonido solo proviene de un altavoz Compruebe el balance de altavoces en el menú de sonido.

### El mando a distancia no funciona

- Tal vez se han agotado las pilas. Sustituya las pilas.

### No se pueden seleccionar las Fuentes de entrada

- Si no puede seleccionar una fuente de entrada, puede deberse a que no haya conectado ningún dispositivo. Si no;
- Revise los cables y las conexiones AV si está tratando de cambiar a la fuente de entrada dedicada al dispositivo conectado.

## Especificaciones

<b>Señal de Televisión</b>	PAL BG/DK/II' SECAM BG/DK			
<b>Canales de Recepción</b>	VHF (BANDA I/III) UHF (BANDA U) HIPERBANDA			
<b>Recepción Digital</b>	Televisor de cable/digital totalmente integrado (DVB-T-C) (DVB-T2 compatible)			
<b>Número de Canales Predefinidos</b>	1.000			
<b>Indicador de Canal</b>	Ayuda en pantalla			
<b>Entrada de Antena RF</b>	75 Ohm (sin balance)			
<b>Tensión de Funcionamiento</b>	220-240V AC, 50Hz.			
<b>Audio</b>	Alemán+Nicam Estéreo			
<b>Pantalla</b>	24"	32"	43"	49"
<b>Potencia de salida del audio (WRMS.) (10% THD)</b>	2x2,5W	2x6W	2x8W	2x8W
<b>Consumo Eléctrico (en W.)</b>	45W	65W	75W	75W
<b>Peso (kg)</b>	3,45 kg	5,60 kg	9,30 kg	11,35 kg
<b>Dimensiones del TV (con soporte) A x A x F (en mm.)</b>	134x554x370 mm	185x735x478 mm	220x974x615 mm	220x1112x692 mm
<b>Dimensiones del TV (sin soporte) AxAx F (en mm.)</b>	35(min)/61(max)x554x339mm	77(min)/89(max)x735x438mm	64(min)/93(max)x974x572mm	60(min)/91(max)x1112x653mm
<b>Temperatura y humedad de funcionamiento:</b>	Desde 0°C hasta 40°C, 85% humedad máx.			

## Modos de visualización habituales para la entrada de PC

La siguiente tabla es una ilustración de alguno de los modos generales de visualización de vídeo.

Índice	Resolución	Frecuencia
1	640x350	85Hz
2	640x400	70Hz
3	640x480	60Hz
4	640x480	66Hz
5	640x480	72Hz
6	640x480	75Hz
7	640x480	85Hz
8	800x600	56Hz
9	800x600	60Hz
10	800x600	70Hz
11	800x600	72Hz
12	800x600	75Hz
13	800x600	85Hz
14	832x624	75Hz
15	1024x768	60Hz
16	1024x768	66Hz
17	1024x768	70Hz
18	1024x768	72Hz
19	1024x768	75Hz
20	1024x768	85Hz
21	1152x864	60Hz
22	1152x864	70Hz
23	1152x864	75Hz
24	1152x864	85Hz
25	1152x870	75Hz
26	1280x768	60Hz
27	1360x768	60Hz
28	1280x768	75Hz
29	1280x768	85Hz
30	1280x960	60Hz
31	1280x960	75Hz
32	1280x960	85Hz
33	1280x1024	60Hz
34	1280x1024	75Hz
35	1280x1024	85Hz
36	1400x1050	60Hz
37	1400x1050	75Hz
38	1400x1050	85Hz
39	1440x900	60Hz
40	1440x900	75Hz
41	1600x1200	60Hz
42	1680x1050	60Hz
43	1920x1080	60Hz
44	1920x1200	60Hz

## Compatibilidad con señales AV y HDMI

Fuente	Señales admitidas		Disponible
EXT (Euro conector)	PAL		O
	SECAM		O
	NTSC4.43		O
	NTSC3.58		O
	RGB 50/60		O
AV lateral	PAL		O
	SECAM		O
	NTSC4.43		O
	NTSC3.58		O
PC/YPbPr	480i, 480p	60Hz	O
	576i, 576p	50Hz	O
	720p	50Hz,60Hz	O
	1080i	50Hz,60Hz	O
HDMI	480i, 480p	60Hz	O
	576i, 576p	50Hz	O
	720p	50Hz,60Hz	O
	1080i	50Hz,60Hz	O
	1080p	24Hz, 25Hz, 30Hz, 50Hz, 60Hz	O

## Formatos de ficheros de vídeo admitidos para el modo USB

Extensión	Vídeo Codec	SPEC (Resolución) y Tasa de Muestreo
.dat, vob	MPEG1/2	1080P@30fps - 40 Mbps
.mpg, .mpeg	MPEG1/2, MPEG4	
.ts, .trp, .tp	MPEG1/2, H.264, AVS, MVC	<b>H.264:</b> 1080Px2@30fps - 62.5 Mbps, 1080P@60fps - 62.5 Mbps <b>MVC:</b> 1080P@30fps - 62.5 Mbps <b>Otro:</b> 1080P@30fps - 40Mbps
.mp4, .mov, .3gpp, .3gp	MPEG1/2, MPEG4, H.263, H.264, Motion JPEG	<b>H.264:</b> 1080Px2@30fps - 62.5 Mbps, 1080P@60fps - 62.5 Mbps <b>Motion JPEG:</b> 640x480@30fps - 10 Mbps <b>Otro:</b> 1080P@30fps - 40 Mbps
.avi	MPEG1/2, MPEG4, Sorenson H.263, H.263, H.264, WMV3, Motion JPEG	
.mkv	MPEG1/2, MPEG4, H.263, H.264, WMV3, Motion JPEG	
.asf	Sorenson H.263, H.264, WMV3, Motion JPEG	
.flv	WMV3	1080P@30fps - 40 Mbps
.swf	RV30/RV40	1080P@30fps - 40 Mbps
.wmv		
.mp4, .mov, .3gpp, .3gp, MPEG flujo de transporte, .ts, .trp, .tp, .mkv	HEVC/H.265	1080P@60fps - 50Mbps

## Formatos de ficheros de fotos admitidos para el modo USB

Imagen	Foto	Resolución (anchura por altura)	Comentarios
JPEG	Línea base	15360x8640	El límite para la resolución máxima depende del tamaño de la DRAM
	Progresiva	1024x768	
PNG	no entrelazado	9600x6400	
	entrelazado	1200x800	
BMP		9600x6400	

## Formatos de ficheros de audio admitidos para el modo USB

Extensión	Audio Codec	Tasa de bit	Tasa de Muestreo
.mp3,	MPEG1/2 Capa1	32Kbps ~ 448Kbps	16KHz ~ 48KHz
	MPEG1/2 Capa2	8Kbps ~ 384Kbps	
	MPEG1/2 Capa3	8Kbps ~ 320Kbps	
.avi	MPEG1/2 Capa1	32Kbps ~ 448Kbps	16KHz ~ 48KHz
	MPEG1/2 Capa2	8Kbps ~ 384Kbps	
	MPEG1/2 Capa3	8Kbps ~ 320Kbps	
	AC3	32Kbps ~ 640Kbps	32KHz, 44,1KHz, 48KHz
	AAC, HEAAC		8KHz ~ 48KHz
	WMA	128bps ~ 320Kbps	8KHz ~ 48KHz
	WMA 10 Pro M0	< 192kbps	48KHz
	WMA 10 Pro M1	< 384kbps	48KHz
	WMA 10 Pro M2	< 768kbps	96KHz
	LPCM	64Kbps ~ 1.5Mbps	8KHz ~ 48KHz
	IMA-ADPCM, MS-ADPCM	384Kbps	8KHz ~ 48KHz
G711 A/mu-law	64Kbps ~ 128Kbps	8KHz	
.asf	MPEG1/2 Capa1	32Kbps ~ 448Kbps	16KHz ~ 48KHz
	MPEG1/2 Capa2	8Kbps ~ 384Kbps	
	MPEG1/2 Capa3	8Kbps ~ 320Kbps	
	WMA	128bps ~ 320Kbps	8KHz ~ 48KHz
	WMA 10 Pro M0	< 192kbps	48KHz
	WMA 10 Pro M1	< 384kbps	48KHz
	WMA 10 Pro M2	< 768kbps	96KHz
.mkv, .mka	MPEG1/2 Capa1	32Kbps ~ 448Kbps	16KHz ~ 48KHz
	MPEG1/2 Capa2	8Kbps ~ 384Kbps	
	MPEG1/2 Capa3	8Kbps ~ 320Kbps	
	AC3	32Kbps ~ 640Kbps	32KHz, 44,1KHz, 48KHz
	AAC, HEAAC		8KHz ~ 48KHz
	WMA	128bps ~ 320Kbps	8KHz ~ 48KHz
	WMA 10 Pro M0	< 192kbps	48KHz
	WMA 10 Pro M1	< 384kbps	48KHz
	WMA 10 Pro M2	< 768kbps	96KHz
	VORBIS		Hasta 48KHz
	LPCM	64Kbps ~ 1.5Mbps	8KHz ~ 48KHz
	IMA-ADPCM, MS-ADPCM	384Kbps	8KHz ~ 48KHz
	G711 A/mu-law	64Kbps ~ 128Kbps	8KHz
	FLAC	< 1.6Mbps	8KHz ~ 96KHz
.ts, .trp, .tp, .dat, .vob, .mpg, .mpeg	MPEG1/2 Capa1	32Kbps ~ 448Kbps	16KHz ~ 48KHz
	MPEG1/2 Capa2	8Kbps ~ 384Kbps	
	MPEG1/2 Capa3	8Kbps ~ 320Kbps	
	AC3	32Kbps ~ 640Kbps	32KHz, 44,1KHz, 48KHz
	EAC3	32Kbps ~ 6Mbps	32KHz, 44,1KHz, 48KHz
	AAC, HEAAC		8KHz ~ 48KHz
	LPCM	64Kbps ~ 1.5Mbps	8KHz ~ 48KHz



Extensión	Audio Codec	Tasa de bit	Tasa de Muestreo
.wav	MPEG1/2 Capa1	32Kbps ~ 448Kbps	16KHz ~ 48KHz
	MPEG1/2 Capa2	8Kbps ~ 384Kbps	
	MPEG1/2 Capa3	8Kbps ~ 320Kbps	
	LPCM	64Kbps ~ 1.5Mbps	8KHz ~ 48KHz
	IMA-ADPCM, MS-ADPCM	384Kbps	8KHz ~ 48KHz
	G711 A/mu-law	64Kbps ~ 128Kbps	8KHz
.3gpp, .3gp, .mp4, .mov, .m4a	MPEG1/2 Capa3	8Kbps ~ 320Kbps	16KHz ~ 48KHz
	AC3	32Kbps ~ 640Kbps	32KHz, 44,1KHz, 48KHz
	EAC3	32Kbps ~ 6Mbps	32KHz, 44,1KHz, 48KHz
	AAC, HEAAC		8KHz ~ 48KHz
	VORBIS		Hasta 48KHz
	LPCM	64Kbps ~ 1.5Mbps	8KHz ~ 48KHz
	IMA-ADPCM, MS-ADPCM	384Kbps	8KHz ~ 48KHz
	G711 A/mu-law	64Kbps ~ 128Kbps	8KHz
.flv	MPEG1/2 Capa3	8Kbps ~ 320Kbps	16KHz ~ 48KHz
	AAC, HEAAC		8KHz ~ 48KHz
.ac3	AC3	32Kbps ~ 640Kbps	32KHz, 44,1KHz, 48KHz
	AAC, HEAAC		8KHz ~ 48KHz
.swf	MPEG1/2 Capa3	8Kbps ~ 320Kbps	16KHz ~ 48KHz
.ec3	EAC3	32Kbps ~ 6Mbps	32KHz, 44,1KHz, 48KHz
.rm, .rmvb, .ra	AAC, HEAAC		8KHz ~ 48KHz
	LBR (cook)	6Kbps ~ 128Kbps	8KHz., 11,025KHz., 22,05KHz., 44,1KHz.
.wma, .wmv	WMA	128bps ~ 320Kbps	8KHz ~ 48KHz
	WMA 10 Pro M0	< 192kbps	48KHz
	WMA 10 Pro M1	< 384kbps	48KHz
	WMA 10 Pro M2	< 768kbps	96KHz
.webm	VORBIS		Hasta 48KHz

## Formatos de ficheros de subtítulos admitidos para el modo USB

Subtítulos internos		
Extensión	Contiene	Código de subtítulos
dat, mpg, mpeg, vob	MPG, MPEG	Subtítulos de DVD
ts, trp, tp	TS	Subtítulos DVB
mp4	MP4	Subtítulos DVB UTF-8 solo texto
mkv	MKV	ASS SSA UTF-8 solo texto VobSub Subtítulos DVB

Subtítulos Externos		
Extensión	Analizador de subtítulos	Comentarios
.srt	Subrip	
.ssa/ .ass	SubStation Alpha	
.smi	SAMI	
.sub	SubViewer MicroDVD DVDSubtitleSystem SubIdx (VobSub)	SubViewer solo 1.0 & 2.0
.txt	TMPlayer	

## Innehåll

Underrättelser, funktioner och tillbehör.....	4
Energieffektivitet.....	4
Skrollknappen på Tv:n.....	4
Sätta på/stänga av.....	4
Förstagångsinstallation.....	4
Spela mediafiler från USB-enhet.....	5
Medialäsarmeny .....	6
CEC.....	6
Byt TV-inställningar.....	6
Visa alternativ .....	6
Ljudalternativ .....	6
Konfigurerar föräldrainställningar .....	6
Elektronisk programguide (EPG).....	7
Uppdatera din TV .....	7
Felsökning och tips.....	8
Typiska visningslägen via PC-ingång .....	10
Signalkompatibilitet för AV och HDMI .....	10
Video-filformat som stöds i USB-läget.....	11
Bildfilformat som stöds i USB-läget .....	11
Ljudfilformat som stöds i USB-läget .....	12
Textfilformat som stöds i USB-läget.....	13

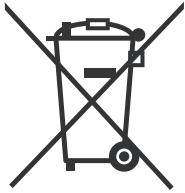
## Viktigt

Läs och förstå alla information i den medföljande säkerhetsbroschyren innan du installerar och använder din TV. Om skadan orsakas på grund av underlåtenhet att följa instruktionerna kommer garantin att hävas.

### Avyttring av gammal utrustning och batterier

Kassera inte den här TV:n eller batterierna som allmänt hushållsavfall. Om du vill kasta den här produkten eller batteriet, gör det i befintliga återvinningssystem.

**Obs:** Märket Pb nedanför symbolen för batterier indikerar att batteriet innehåller bly.



**Produkter**



**Batteri**



### Text-TV

Tryck på knappen **Text** för att se text-TV-information. Tryck igen för att aktivera mix-läget, vilket låter dig se teletextsidan och TV-sändningen samtidigt. Tryck en gång till för att avsluta. Om tillgängligt, kommer avsnitt eller sidor i text-TV bli färgkodade och kan väljas genom att trycka på de färgade knapparna. Använd antingen navigeringen eller knapparna **program +/-** för att bläddra igenom sidorna. Användningsmetoden varierar beroende på innehållet i den digitala text-TV:n. Följ instruktionerna som visas på skärmen.

1. **Viloläge:** Slår på/av tv:n
2. **Text:** Visar text-TV (när det finns). Tryck igen för att placera texten på en normal sändningsbild (mix)
3. **Stopp:** Stoppar median från att spelas
4. **Skärm:** Förändrar aspektration för skärmen
5. **Källa:** Visar alla tillgängliga sändningar och innehållskällor
6. **Meny:** Visar TV-menyn
7. **Växla:** Bläddrar snabbt mellan föregående och aktuella kanaler eller källor  
Om **Hotell-läget** är inställt på **På**, kan en tryckning av den här knappen växla mellan nätverkskanalstyper DVB-kabel& analog och DVB-satellit& analog
8. **Navigeringsknappar:** Hjälper till att navigera i menyerna, innehåll m.m. och visar undersidorna i text-tv-läget när du höger- eller vänsterklickar
9. **Program - /Sida -** (i text-TV-läge)
10. **Volym -**
11. **Grön knapp:** Följ instruktionerna för färgade knappfunktioner på skärmen
12. **Röd knapp:** Följ instruktionerna för färgade knappfunktioner på skärmen
13. **Numeriska knappar:** Växlar kanalerna, anger ett nummer eller en bokstav i rutan på skärmen.
14. **Undertext:** Startar och stänger av undertexter (där det finns)
15. **Språk:** Bläddrar mellan ljudlägen (analog-TV) , visar och förändrar språk för ljud/undertexter (digital-TV, där det finns)
16. **Blå knapp:** Följ instruktionerna för färgade knappfunktioner på skärmen
17. **Gul knapp:** Följ instruktionerna för färgade knappfunktioner på skärmen
18. **Volym +**
19. **Tyst:** Stänger av ljudet helt på TV:n
20. **Program + / Sida +** (i text-TV-läge)
21. **Återgå/Tillbaka:** Återgår till tidigare skärm, öppnar index-sidan (i text-TV-läge)
22. **OK:** Bekräftar användarens val, håller sidan (i TXT-läge), visar kanallistan
23. **Info:** Visar information om skärminnehåll, visar dold information (visa - i TXT-läge)
24. **Spela:** Börjar spela utvald media
25. **Paus:** Pausar median som spelas
26. **Sovläge:** Ställer in din TV på att stängas av automatiskt
27. **EPG (Elektroniska programguiden):** Visar den elektroniska programguiden

**Observera:** Fjärrkontrollens räckvidd är cirka 7 meter/23 ft.

## Underrättelser, funktioner och tillbehör

### Energieffektivitet

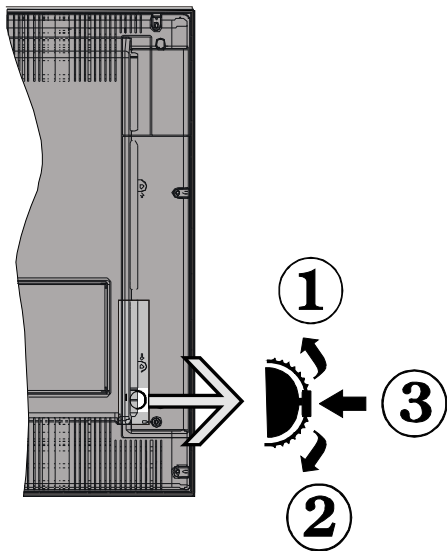
Den här TV:n är utrustad med energieffektiva funktioner:

- **Energibesparing:** Du kan använda en kombination av energisparande bildinstallationer. När du ser på TV, tryck på knappen **Menu** så visas **Energisparlägets** inställningar under **Bild** i huvudmenyn.
- **Läget, Bild av:** Om du endast vill lyssna på ljud från TV:n kan du stänga av skärmen. Övriga funktioner fortsätter fungera som vanligt. Medan du ser på TV, tryck på **Menu** -knappen och välj **Bild** och sedan **Energisparläge**. Tryck på höger knapp medan **auto**-alternativet är valt eller vänster knapp medan anpassat alternativ är valt. Ett meddelande kommer att visas på skärmen. Välj **Fortsätt** och tryck på **OK** för att stänga av skärmen direkt. Om du inte trycker på någon knapp kommer skärmen stängas av inom 15 sekunder. Tryck på valfri knapp på fjärrkontrollen för att starta skärmen igen.

**Observera:** Alternativet, **skärm av** är inte tillgängligt om läget är inställt på **spel**. Koppla ur din TV från huvudströmkällan om du inte ska använda din TV under en längre tid.

### Skrollknappen på Tv:n

Scrollknappen på Tv:ns sida låter dig styra över volymen, byta kanal och försätta Tv:n i viloläge.



**För att ändra volymen:** Öka volymen genom att skrolla uppåt. Minska volymen genom att skrolla nedåt.

### Byta kanal:

- Tryck på mitten av skrollknappen för att visa kanalinformationen på skärmen.
- Bläddra igenom de lagrade kanalerna genom att trycka på knappen uppåt eller nedåt.

### För att ändra källa:

- Tryck på mitten av knappen två gånger (andra gången totalt), källistan kommer visas på skärmen.
- Bläddra igenom de tillgängliga källorna genom att trycka på knappen upp eller ner.

**Att ändra Tv:n till viloläge (standby):** Tryck på mitten av knappen och håll den nedtryckt i några sekunder, TV: n går till standby-läge.

**För att sätta på Tv:n från standby:** Tryck på mitten av knappen, TV: n slås på.

### Anm:

*Om du stänger av TV:n kommer cirkeln att starta igen med volyminställningen.*

*Huvudmenyn OSD kan inte visas via kontrollknappen.*

### Sätta på/stänga av

#### För att slå på TV:n

För att sätta på Tv:n från vänteläget kan du antingen;

- Trycka på **Väntläge**,-knappen, **program +/-** eller en sifferknapp på fjärrkontrollen.
- Tryck på mitten av sidofunktionsväljaren på TV:n.

**Observera:** Om TV: n har lämnats på och inte används under ett tag, kommer TV att försättas i vänteläge. Nästa gång du startar Tv:n, kommer följande meddelande att visas. "Viloläget ger ingen drift"(Väntläge, Cause No Operation) Tryck på OK för att fortsätta.

#### Slå från TV:n

- Tryck på **Väntläge**,-knappen på fjärrkontrollen eller tryck på mitten av sidofunktionsväljaren på TV:n och håll den nedtryckt i några sekunder, TV: n växlar då till Väntläge,-läge.

**Observera:** • För att stänga av tv:n helt drar du ut nätsladden.

### Förstagångsinstallation

När du startar Tv:n för första gången kommer du få ett skärmval där du väljer språk. Välj det språk du vill ha och tryck på **OK**.

**Observera:** Om en USB-enhet är ansluten till Tv:n kan du trycka på den GRÖNA knappen på fjärrkontrollen innan du fortsätter, för att ladda NVRAM-information (servicelista, preferenser m.m.) ifrån USB-enheten som är uppladdad ifrån andra Philips Hotel TV. Se "Kopiera till USB" och "Kopiera ifrån USB" under Hotell-läge i sidorna i slutet på den här manualen.

Om rätt programvaruuppdateringsfil finns förinstallerad i USB-enheten kan du trycka på den RÖDA knappen på fjärrkontrollen innan du fortsätter för att uppdatera din TV:s programvara. Programvaruuppdateringsfilen ska namnges som "VES162HE\_upgrade.bin" eller "Philips\_upgrade\_mb110.bin".

Programvaruuppdatering via en USB-enhet kan göras när som helst genom att använda den dolda nyckelkombinationen "Meny-1-5-0-5".

På nästa skärm, ställ in dina alternativ med hjälp av navigeringsknapparna och tryck OK för att komma vidare.

Du kan starta upp din TV genom att följa första-gångsinstruktionerna (FTI)-skärmen med följande instruktioner.

### Digitalantennsinstallation

Om alternativet sökning med **Digitalantenn**, visas på tv:n kommer sökning efter markbundna sändningar efter andra signaler ske efter att de andra övriga inställningarna genomförts.

### Digitalkabelinstallation

Om **digitalkabel**-sändningens sökalternativ är påslaget, kommer tv:n söka efter digitala Kabelsändningar efter övriga uppstartsinställningar genomförts. Enligt dina andra preferenser kan ett bekräftelsemeddelande visas innan sökningen påbörjas. För automatisk installation, om din kabelnätverksleverantör stöder en nätverks-idbaserad installation (t.ec. Unitymedia), välj **Ja** på följande skärm och tryck på **OK**.

Om din Kabelnätverksleverantör inte stöder nätverksid-baserad installation, vänligen välj **Nej**, tryck på **OK** och följ instruktionerna på skärmen.

Du kan också välja frekvensomfång på den här skärmen. Mata in frekvensen manuellt med sifferknapparna.

**Observera:** Sökningstiden kommer förändras beroende på det valda **sök-steget**.

### Analog installation

Om alternativet sökning med **Analog**, visas på tv:n kommer sökning efter analoga sändningar efter andra signaler ske efter att de andra övriga inställningarna genomförts.

Du kan även ställa in sändningstyp som favorit. Prioriteringen kommer att ges till valda sändningstyper under sökprocessen, och kanalerna i den kommer listas överst i kanallistan. Tryck på **OK** när du är klar.

Valskärmen Hemläge / Butiksläge följer. Det rekommenderas att välja **Hem-läge** för hemmabruk.

Efter de första inställningarna genomförts kommer tv:n att starta sökningen efter tillgängliga sändningar av den valda sändningstypen.

Medan sökningen fortsätter kan ett meddelande visas som frågar om du vill ordna kanalerna enligt LCN(\*). Välj **Ja** och tryck på **OK** för att bekräfta.

(\* LCN är det logiska kanalnummersystemet som organiserar de tillgängliga sändningarna i enlighet med en igenkänningsbar kanalnummersekvens (om det finns).

När alla tillgängliga stationer är lagrade kommer de skannade resultaten att visas. Tryck på **OK** för att fortsätta. **Redigera kanallista** kommer att visas härnäst. Tryck på **Meny-knappen** för att lämna **Redigera Kanallistan** och se på TV.

**Observera:** Stäng inte av TV:n när installationen initialiseras för första gången. Notera att visalternativ kanske inte är möjliga, beroende på valet av land.

### Spela mediafiler från USB-enhet

Du kan spela foto-, musik- och filmfiler som finns lagrade på en USB-enhet genom att ansluta den till TV:n och använda media-bläddrarskärmen. Anslut en USB-disk till en av USB-ingångarna på baksidan av TV:n. USB-enheten kommer att identifieras automatiskt av TV:n och **Mediebläddrarmenyn** visas. Du kan också få tillgång till **Mediebläddrarmenyn** från huvudTV-menyn. Tryck på **Meny**, välj mediebläddraren från listan och tryck på **OK**-knappen för att öppna.

Efter att ha valt en önskad mediatyp i huvudmediabläddrarmenyn, genom att trycka på menyknappen kommer du åt Bild-, Ljud- och Inställningsmenyalternativ. Genom att trycka på Meny igen avslutar du skärmen. Du kan ställa in mediabläddrarinställningar med hjälp av inställningarmenyn.

För att möjliggöra Auto Play, markera det här alternativet i menyn Inställningar och ställ in som på genom att använda pilknapparna. När denna funktion är aktiverad, upptäcker TV:n anslutna USB-enheter och söker efter mediafiler.

Fotofilerna genomsöks först. Om inga fotofiler hittas, söker programmet efter videofiler. Om inga videofiler hittas, söker programmet efter ljudfiler.

Efter att en fil har hittats, väljs formatet på den här filen som det ständiga valet och varje fil i detta format kommer att spelas i en oändlig loop. Genom att använda fjärrkontrollen för att avsluta etc kommer att avbryta uppspelning av fil(erna) och upphäva uppspelningsloopen.

När TV:n inte kan hitta några mediafiler, visas huvudmediabläddraren meny på skärmen. Ställ in **Visastil** som **Platt** för att söka alla filer i alla undermappar på USB-enheten.

**Observera:** Om TV:n befinner sig i vänteläge så kommer denna funktion inte vara tillgänglig.

**VIKTIGT!** Säkerhetskopiera dina filer innan du gör några anslutningar till TV:n. Tillverkaren är inte ansvarig för korrupta filer eller förlorad data. Vissa typer av USB-enheter, t. ex. är inte MP3-spelare kompatibla med denna TV.

## Medialäsarmeny

### Lägesalternativen Slinga/ Blanda

Starta uppspelning med <b>Spela</b> knappen och aktivera	Alla filer i listan kommer spelas hela tiden i originalordning
Starta uppspelning med <b>OK</b> knappen och aktivera	samma fil kommer spelas hela tiden i slinga (upprepning)
Starta uppspelning med <b>Spela</b> knappen och aktivera	Alla filer i listan kommer spelas engång i slumpmässig ordning
Starta uppspelning med <b>Spela</b> knappen och aktivera ,	Alla filer i listan kommer spelas hela tiden i samma slumpmässiga ordning

## CEC

Den här funktionen låter dig styra CEC-aktiverade enheter som är ansluta via HDMI-portar, genom att använda fjärrkontrollen på Tv:n.

**CEC**-alternativet i menyn **Inställningar>Mer** ska först ställas in som **Aktiverad**. Tryck på knappen **Käll** och välj sedan HDMI-ingången för den anslutna CEC-enheten ifrån menyn **Käll-lista**. När en ny CEC-källan ansluts kommer den listas i källmenyn med eget namn istället för den anslutna HDMI-portens namn (DVD-spelare, Spelare 1, m.m.).

Tv:ns fjärrkontroll är automatiskt aktiverad att kunna utföra vissa funktioner efter att den anslutna HDMI-källan har valts.

För att avsluta det här läget och styra Tv:n via fjärrkontrollen igen, tryck in knappen "0-Noll" på fjärrkontrollen i 3 sekunder. Den här funktionen kan också aktiveras eller avaktiveras under menyn **Inställningar>Mer**.

Tv:n stöder också ARC (Audio Return Channel)-funktionen. Den här funktionen är en ljudlänk som är tänkt att ersätta andra kablar mellan Tv:n och ljudsystemet (A/V-mottagare eller högtalarsystem).

När ARC är aktivt tystar inte tv:n ner sina andra ljudvolymmer automatiskt. Då du måste minska tv-volymen till noll, manuellt, om du endast vill höra ljudet ifrån den anslutna ljudenheten (samma som andra optiska eller koaxial-digitala ljudutgångar). Om du vill förändra den anslutna enhetens volymnivå ska du välja den enheten ifrån käll-listan. Då används volymknapparna för den anslutna ljudenheten.

**Observera:** ARC stöds endast via HDMI1-ingången.

## Systemljudkontroll

Låter Ljutförstärkare/mottagare att användas med Tv:n. Volymen kan kontrolleras med tv:ns fjärrkontroll. För att aktivera funktionen, ställ in högtalaralternativen i menyn **Inställningar>Mer** som **Högtalare**. TV-högtalarna måste tystas och ljudet i den aktuella källan kommer fördelas via det anslutna ljudsystemet.

**Observera:** Ljudenheten ska stöda systemaudiokontrollfunktionen och **CEC**-alternativet ska ställas in som **aktiverad**.

## Byt TV-inställningar

För att komma åt alternativen i listan nedan;

- 1- Tryck på **Menu**-knappen
- 2- Markera ditt val
- 3- Tryck på **OK** för att bekräfta

## Visa alternativ

**Läge:** Byter bildläge till ett av följande: **Biograf**, **Spel(\*)**, **Sport**, **Dynamisk** och **Naturlig**.

(\*)Valet **Spelläge** kanske inte är tillgängligt beroende på den nuvarande källvalet.

**Kontrast:** Ställer in ljus- och mörkervärden för bilden.

**Ljusstyrka:** Ställer in värdet på bildens ljusstyrka.

**Skärpa:** Ställer in skärpan. Ett högt värde på skärpan kan resultera i en klarare, tydligare bild, beroende på innehållet.

**Färg:** Ställer in färgstyrkan.

**Bakgrundsljus:** Styr ljusstyrkan på bakgrundsljuset. Bakgrundsljusfunktionen kommer inaktiveras om **energibesparingen** är inställd på ett annat alternativ än **Anpassad**.

## Ljudalternativ

**Volym:** Justera volym.

**Ljudutjämnning:** Byter ljudutjämnare.

**Balans:** Justera om ljudet kommer i huvudsak ifrån vänster eller höger högtalare.

**Hörlurar:** Ställer in volym i hörlurar. Det här alternativet kommer att inaktiveras om **hörlurarna/lineout**-alternativet är inställt på **lineout**.

**Ljudläge:** Ställer in önskat ljudläge.

**AVL:** Väljer ett maximalt volymutgång.

**Hörlurar/linje ut:** Det här alternativet bör vara inställt på **hörlurar** om du har hörlurar, eller **lineout** om du har en extern förstärkare ansluten till hörlurarnas uttag.

**Dynamisk bas:** Aktiverar eller avaktiverar den dynamiska basen. Ökar omfånget av basen.

**Surround-ljud:** Surround-ljudläge kan ställas in som på eller av.

**Digital ut:** Ställer in ljudtyp för digital ut.

## Konfigurerar föräldraställningar

Den här funktionen finns för att begränsa åtkomsten till det valda innehållet. Det kontrolleras av en pin-kod som är definierad av dig. Dessa inställningar finns i menyn **Inställningar>Föräldrakontroll**.

**Observera:** Standardpinkoden kan ställas in till **0000** eller **1234**. Om du har definierat PIN så som krävs, (beroende på landsval) under **Förstagångsinstallationen**, använd den pinkod du angivit.

Vissa alternativ kanske inte är tillgängliga beroende på vilket landsval som är gjord vid Förstagångsinstallationen.

**Menylås:** Inställningarna för menylås, aktiverar eller avaktiverar menyåtkomsten.

**Vuxenlås (valfritt):** När inställningen är klar hämtar funktionen nivåinformationen om sändningen och om denna nivå har avaktiverats avaktiveras åtkomst till sändningen.

**Barnlås (valfritt):** När barnlås har valts kan TV:n endast manövreras via fjärrkontrollen. I detta fall kommer därför inte knapparna på frontpanelen att fungera.

**Vägledning (valfritt):** Den här inställningen aktiverar eller avaktiverar åtkomsten till några av MHEG-programmen. Avaktiverade program kan släppas genom att ange rätt PIN-kod.

**Ställ in PIN:** Anger ett nytt PIN-nummer.

**Standard PIN för CICAM:** Det här alternativet kommer visas i grått om ingen CI-modul har satts i CI-uttaget på tv:n. Du kan förändra standard PIN till CICAM med hjälp av det här alternativet.

### Elektronisk programguide (EPG)

Vissa kanaler skickar information om sina sändningsscheman. Tryck på Epg för att visa EPG-menyn

Det finns 3 olika sorters layouter för scheman, tidschema, listschema och Nu/Nästa-schema. För att växla mellan dem, följ instruktionerna längst ned på skärmen.

### Tidschema

**Zooma (Gul knapp)** Tryck på den gula knappen för att se händer i ett bredare tidsintervall.

**Filtrera (Blå knapp)** Visar filtreringsalternativ.

**Välj genre (undertext-knappen):** Visar menyn välj genre. Med hjälp av denna funktion kan du söka i programguidedatabasen i överensstämmelse med genren. Informationen söks i programguiden och resultaten som matchar sökkriterierna markeras.

**Alternativ (OK-knappen):** Visar programalternativ.

**Händelseinformation (info-knappen):** Visar detaljerad information om de valda händelserna.

**Nästa/föregående dag (Program +/- knappar):** Visar händelserna ifrån föregående eller nästa dag.

**Sök (Text-knappen):** Visar menyn "Guidesökning".

**Nu (växlaknappen)** Visar aktuella händelser för den markerade kanalen.

### Listschema (\*)

(\*) I det här alternativet är endast händelserna i den markerade kanalen listade..

**Föreg. Tidsdel (Röd knapp):** Visar händelserna för föregående tidsdel.

**Nästa/föregående dag (Program +/- knappar):** Visar händelserna ifrån föregående eller nästa dag.

**Händelseinformation (info-knappen):** Visar detaljerad information om de valda händelserna.

**Filtrera (Text-knapp)** Visar filtreringsalternativ.

**Nästa tidsdel (Grön knapp):** Visar händelserna i nästa tidsdel.

**Alternativ (OK-knappen):** Visar programalternativ.

### Nu/Nästa-schema

**Navigera (Navigationsknapparna):** Tryck på navigationsknapparna för att navigera genom kanalerna och händelserna.

**Alternativ (OK-knappen):** Visar programalternativ.

**Händelseinformation (info-knappen):** Visar detaljerad information om de valda händelserna.

**Filtrera (Blå knapp)** Visar filtreringsalternativ.

### Händelsealternativ

I EPG-menyn, tryck på knappen **OK** för att öppna menyn "Händelseval".

**Kanalval:** Med hjälp av detta alternativ kan du växla över till vald kanal i EPG-menyn.

**Ställ in Timer / Radera Timer för Händelser:** Efter att du valt en händelse i EPG-menyn, tryck på **OK-knappen**. **Välj alternativet Ställ in timer för händelse och tryck på OK.** Du kan ange klockslag för kommande händelser. För att avbryta en redan inställd timer, markera händelsem och tryck på **OK-knappen**. Välj sedan **Radera timer** i händelsealternativen. Timer-inställningen tas då bort.

### Uppdatera din TV

För att se den nuvarande mjukvaruversionen som används, gå till huvudmenyn och välj Inställningar>Mer.

**FARA:** Installera inte en lägre version av mjukvaran än den som finns i TV:n. TP-vision kan inte bindas till eller hållas ansvariga för problem som skapas av mjukvarunedgradering.

### Uppdatering med USB

Innan du uppdaterar mjukvaran, säkerställ att du har:

- En USB-lagringsenhet som har minst 256 mg i lagringsutrymme, är FAT32 eller DOS-formaterad och har skrivskyddet avaktiverat.
- Åtkomst till en dator med USB-anslutning och internetåtkomst.

Gå till [www.philips.com/support](http://www.philips.com/support), och följ sedan instruktionerna för uppdatering av mjukvara.

### Automatisk uppdatering från digital-sändning

Medan tv:n är ansluten till en antenssignal. Om Automatisk sökning är vald i **uppgraderingsalternativ**-menyn **aktiveras** TV:n kl. 03:00 och söker efter mjukvaruuppgraderingar. Om en ny mjukvara hittas och laddas ner, öppnas TV:n med den nya programversionen när TV:n slås på nästa gång. För att öppna menyn **uppgraderingsalternativ**, gå till Inställningar>Mer, markera **mjukvaruuppdatering** och tryck på **OK-knappen**.

**Observera:** Ta inte ur strömkabeln medan LED-lampan blinkar under omstartsprocessen. Om TV:n inte fungerar



efter uppgraderingen, koppla ur TV:n i 2 minuter och anslut den igen.

## **Felsökning och tips**

### **Tv:n startar inte**

Kontrollera att strömkabeln är helt ansluten till vägguttaget. Kontrollera om batterierna är slut. Tryck på knappen eller på Tv:n.

### **Dålig bild**

- Har du valt rätt Tv-system.
- Låg signalnivå kan orsaka att bilden störs. Kontrollera antennens åtkomst.
- Kontrollera att du har angivit rätt kanalfrekvens om du har gjort en manuell finjustering.
- Bildkvaliteten kan försämrats om flera externa enheter samtidigt är kopplade till Tv:n. Pröva med att koppla ur en av enheterna.

### **Ingen bild**

- Detta betyder att TV:n inte tar emot några signaler. Kontrollera också att rätt bildkälla är vald.
- Är antennkabeln rätt inkopplad?
- Är antennkabeln skadad?
- Används rätt kontakter för att koppla antennkabeln?
- Om du är osäker, rådgör med din återförsäljare.

### **Inget ljud**

- Kolla om Tv:n är i tystläge. För att avbryta tyst läge trycker du på "Mute"-knappen eller höjer volymen.
- Ljudet kommer från endast en högtalare. Kontrollera balansinställningar i menyn Ljud.

### **Fjärrkontroll- ingen drift**

- Batterierna kan vara slut. Byt ut batterierna.

### **Indatakällor – kan inte väljas**

- Om du inte kan välja inkälla kanske ingen enhet är ansluten. Om inte;
- Kontrollera AV-kablarna och anslutningarna om du försöker växla till ingångskällan som är avsedd för den anslutna enheten.

## Specifikationer

<b>TV-sändning</b>	PAL BG/DK/II' SECAM BG/DK			
<b>Mottagande kanaler</b>	VHF (BAND I/III) - UHF (BAND U) - HYPERBAND			
<b>Digital Mottagning</b>	Fullt integrerad digital mark - Kabel-TV (DVB-T-C) (DVB-T2-kompatibel)			
<b>Antal Förinställda Kanaler</b>	1.000			
<b>Kanalindikator</b>	Visning på skärmen			
<b>RF-antenngång</b>	75 Ohm (obalanserat)			
<b>Driftsvolt</b>	220-240V AC, 50Hz.			
<b>Ljud</b>	Tysk + Nicam Stereo			
<b>Display</b>	24"	32"	43"	49"
<b>Ljudutgångsström (WRMS.) (10 % THD)</b>	2x2,5W	2x6W	2x8W	2x8W
<b>Strömförbrukning (W)</b>	45W	65W	75W	75W
<b>Vikt (kg)</b>	3,45 kg	5,60 kg	9,30 kg	11,35 kg
<b>TV-dimensioner DxLxH (med fot) (mm)</b>	134x554x370 mm	185x735x478 mm	220x974x615 mm	220x1112x692 mm
<b>TV-dimensioner DxLxH (utan fot) (mm)</b>	35(min)/61(max)x554x339mm	77(min)/89(max)x735x438mm	64(min)/93(max)x974x572mm	60(min)/91(max)x1112x653mm
<b>Driftstemperatur och driftsfuktighet:</b>	0 °C upp till 40 °C, 85 % fuktighet max			

## Typiska visningslägen via PC-ingång

Följande tabell r en illustration av vanliga videovisningslägen.

Index	Upplösning	Frekvens
1	640x350	85Hz
2	640x400	70Hz
3	640x480	60Hz
4	640x480	66Hz
5	640x480	72Hz
6	640x480	75Hz
7	640x480	85Hz
8	800x600	56Hz
9	800x600	60Hz
10	800x600	70Hz
11	800x600	72Hz
12	800x600	75Hz
13	800x600	85Hz
14	832x624	75Hz
15	1024x768	60Hz
16	1024x768	66Hz
17	1024x768	70Hz
18	1024x768	72Hz
19	1024x768	75Hz
20	1024x768	85Hz
21	1152x864	60Hz
22	1152x864	70Hz
23	1152x864	75Hz
24	1152x864	85Hz
25	1152x870	75Hz
26	1280x768	60Hz
27	1360x768	60Hz
28	1280x768	75Hz
29	1280x768	85Hz
30	1280x960	60Hz
31	1280x960	75Hz
32	1280x960	85Hz
33	1280x1024	60Hz
34	1280x1024	75Hz
35	1280x1024	85Hz
36	1400x1050	60Hz
37	1400x1050	75Hz
38	1400x1050	85Hz
39	1440x900	60Hz
40	1440x900	75Hz
41	1600x1200	60Hz
42	1680x1050	60Hz
43	1920x1080	60Hz
44	1920x1200	60Hz

## Signalkompatibilitet för AV och HDMI

Källa	Signaler som stöds	Tillgänglig	
EXT (SCART)	PAL	O	
	SECAM	O	
	NTSC4.43	O	
	NTSC3.58	O	
	RGB 50/60	O	
Sida AV	PAL	O	
	SECAM	O	
	NTSC4.43	O	
	NTSC3.58	O	
PC/ YPbPr	480i, 480p	60Hz	O
	576i, 576p	50Hz	O
	720p	50Hz,60Hz	O
	1080i	50Hz,60Hz	O
HDMI	480i, 480p	60Hz	O
	576i, 576p	50Hz	O
	720p	50Hz,60Hz	O
	1080i	50Hz,60Hz	O
	1080p	24Hz, 25Hz, 30Hz, 50Hz, 60Hz	O

## Video-filformat som stöds i USB-läget

Förlängning	Videocodex	SPEC (Upplösning) och Bit-hastighet
.dat, .vob	MPEG1/2	1080P@30fps - 40 Mbps
.mpg, .mpeg	MPEG1/2, MPEG4	
.ts, .trp, .tp	MPEG1/2, H.264, AVS, MVC	<b>H.264:</b> 1080Px2@30fps - 62.5 Mbps, 1080P@60fps - 62.5 Mbps <b>MVC:</b> 1080P@30fps - 62.5 Mbps <b>Annan:</b> 1080P@30fps - 40Mbps
.mp4, .mov, .3gpp, .3gp	MPEG1/2, MPEG4, H.263, H.264, Motion JPEG	<b>H.264:</b> 1080Px2@30fps - 62.5 Mbps, 1080P@60fps - 62.5 Mbps <b>Motion JPEG:</b> 640x480@30fps - 10 Mbps <b>Annan:</b> 1080P@30fps - 40 Mbps
.avi	MPEG1/2, MPEG4, Sorenson H.263, H.263, H.264, WMV3, Motion JPEG	
.mkv	MPEG1/2, MPEG4, H.263, H.264, WMV3, Motion JPEG	
.asf	Sorenson H.263, H.264, WMV3, Motion JPEG	
.flv	WMV3	1080P@30fps - 40 Mbps
.swf	RV30/RV40	1080P@30fps - 40 Mbps
.wmv		
.mp4, .mov, .3gpp, .3gp, MPEG transport stream, .ts, .trp, .tp, .mkv	HEVC/H.265	1080P@60fps - 50Mbps

## Bildfilformat som stöds i USB-läget

Bild	Foto	Upplösning (bredd x höjd)	OBS
JPEG	Baslinje	15360x8640	Gränsen för maximal upplösning beror på DRAM-storlek
	Progressiv	1024x768	
PNG	ej-gränssnitt	9600x6400	
	interlace	1200x800	
BMP		9600x6400	

## Ljudfilformat som stöds i USB-läget

Förlängning	Ljudcodex	Bit-hastighet	Sample Rate
.mp3,	MPEG1/2 Lager1	32Kbps ~ 448Kbps	16KHz ~ 48KHz
	MPEG1/2 Lager2	8Kbps ~ 384Kbps	
	MPEG1/2 Lager3	8Kbps ~ 320Kbps	
.avi	MPEG1/2 Lager1	32Kbps ~ 448Kbps	16KHz ~ 48KHz
	MPEG1/2 Lager2	8Kbps ~ 384Kbps	
	MPEG1/2 Lager3	8Kbps ~ 320Kbps	
	AC3	32Kbps ~ 640Kbps	32KHz, 44,1KHz, 48KHz
	AAC, HEAAC		8KHz ~ 48KHz
	WMA	128bps ~ 320Kbps	8KHz ~ 48KHz
	WMA 10 Pro M0	< 192kbps	48KHz
	WMA 10 Pro M1	< 384kbps	48KHz
	WMA 10 Pro M2	< 768kbps	96KHz
	LPCM	64Kbps ~ 1.5Mbps	8KHz ~ 48KHz
	IMA-ADPCM, MS-ADPCM	384Kbps	8KHz ~ 48KHz
G711 A/mu-law	64Kbps ~ 128Kbps	8KHz	
.asf	MPEG1/2 Lager1	32Kbps ~ 448Kbps	16KHz ~ 48KHz
	MPEG1/2 Lager2	8Kbps ~ 384Kbps	
	MPEG1/2 Lager3	8Kbps ~ 320Kbps	
	WMA	128bps ~ 320Kbps	8KHz ~ 48KHz
	WMA 10 Pro M0	< 192kbps	48KHz
	WMA 10 Pro M1	< 384kbps	48KHz
	WMA 10 Pro M2	< 768kbps	96KHz
.mkv, .mka	MPEG1/2 Lager1	32Kbps ~ 448Kbps	16KHz ~ 48KHz
	MPEG1/2 Lager2	8Kbps ~ 384Kbps	
	MPEG1/2 Lager3	8Kbps ~ 320Kbps	
	AC3	32Kbps ~ 640Kbps	32KHz, 44,1KHz, 48KHz
	AAC, HEAAC		8KHz ~ 48KHz
	WMA	128bps ~ 320Kbps	8KHz ~ 48KHz
	WMA 10 Pro M0	< 192kbps	48KHz
	WMA 10 Pro M1	< 384kbps	48KHz
	WMA 10 Pro M2	< 768kbps	96KHz
	VORBIS		Upp till 48KHz
	LPCM	64Kbps ~ 1.5Mbps	8KHz ~ 48KHz
	IMA-ADPCM, MS-ADPCM	384Kbps	8KHz ~ 48KHz
	G711 A/mu-law	64Kbps ~ 128Kbps	8KHz
	FLAC	< 1.6Mbps	8KHz ~ 96KHz
.ts, .trp, .tp, .dat, .vob, .mpg, .mpeg	MPEG1/2 Lager1	32Kbps ~ 448Kbps	16KHz ~ 48KHz
	MPEG1/2 Lager2	8Kbps ~ 384Kbps	
	MPEG1/2 Lager3	8Kbps ~ 320Kbps	
	AC3	32Kbps ~ 640Kbps	32KHz, 44,1KHz, 48KHz
	EAC3	32Kbps ~ 6Mbps	32KHz, 44,1KHz, 48KHz
	AAC, HEAAC		8KHz ~ 48KHz
	LPCM	64Kbps ~ 1.5Mbps	8KHz ~ 48KHz

Förlängning	Ljudcodex	Bit-hastighet	Sample Rate
.wav	MPEG1/2 Lager1	32Kbps ~ 448Kbps	16KHz ~ 48KHz
	MPEG1/2 Lager2	8Kbps ~ 384Kbps	
	MPEG1/2 Lager3	8Kbps ~ 320Kbps	
	LPCM	64Kbps ~ 1.5Mbps	8KHz ~ 48KHz
	IMA-ADPCM, MS-ADPCM	384Kbps	8KHz ~ 48KHz
	G711 A/mu-law	64Kbps ~ 128Kbps	8KHz
	.3gpp, .3gp, .mp4, .mov, .m4a	MPEG1/2 Lager3	8Kbps ~ 320Kbps
AC3		32Kbps ~ 640Kbps	32KHz, 44,1KHz, 48KHz
EAC3		32Kbps ~ 6Mbps	32KHz, 44,1KHz, 48KHz
AAC, HEAAC			8KHz ~ 48KHz
VORBIS			Upp till 48KHz
LPCM		64Kbps ~ 1.5Mbps	8KHz ~ 48KHz
IMA-ADPCM, MS-ADPCM		384Kbps	8KHz ~ 48KHz
G711 A/mu-law		64Kbps ~ 128Kbps	8KHz
.flv	MPEG1/2 Lager3	8Kbps ~ 320Kbps	16KHz ~ 48KHz
	AAC, HEAAC		8KHz ~ 48KHz
.ac3	AC3	32Kbps ~ 640Kbps	32KHz, 44,1KHz, 48KHz
	AAC, HEAAC		8KHz ~ 48KHz
.swf	MPEG1/2 Lager3	8Kbps ~ 320Kbps	16KHz ~ 48KHz
.ec3	EAC3	32Kbps ~ 6Mbps	32KHz, 44,1KHz, 48KHz
.rm, .rmvb, .ra	AAC, HEAAC		8KHz ~ 48KHz
	LBR (utgång)	6Kbps ~ 128Kbps	8KHz, 11,025KHz, 22,05KHz, 44,1KHz
.wma, .wmv	WMA	128bps ~ 320Kbps	8KHz ~ 48KHz
	WMA 10 Pro M0	< 192kbps	48KHz
	WMA 10 Pro M1	< 384kbps	48KHz
	WMA 10 Pro M2	< 768kbps	96KHz
.webm	VORBIS		Upp till 48KHz

## Textfilformat som stöds i USB-läget

Intern textning		
Förlängning	Behållare	Kod för undertext
dat, mpg, mpeg, vob	MPG, MPEG	DVD Subtitle
ts, trp, tp	TS	DVB Subtitle
mp4	MP4	DVD Subtitle UTF-8 Plain Text
mkv	MKV	ASS SSA UTF-8 Plain Text VobSub DVD Subtitle

Extern textning		
Förlängning	Subtitle Parser	OBS
.srt	Subrip	
.ssa/ .ass	SubStation Alpha	
.smi	SAMI	
.sub	SubViewer MicroDVD DVDSusbtitledSystem SubIdx (VobSub)	Endast SubViewer 1.0 & 2.0
.txt	TMPlayer	

## المحتويات

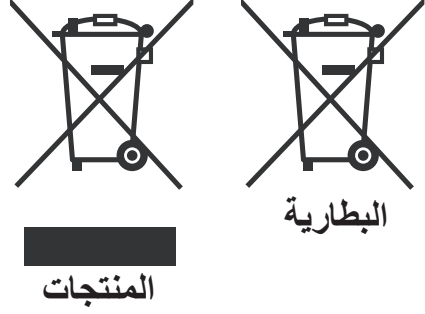
٢	هام
٣	التحكم عن بعد
٤	التنبيهات والميزات والملحقات
٨	المواصفات
٩	أوضاع العرض النموذجية لمدخل الكمبيوتر
٩	توافق إشارة AV و HDMI
١٠	صيغ ملفات الفيديو مدعومة لوضع USB
١٢	صيغ ملفات العنوان الفرعي مدعومة لوضع USB

أقرأ وافهم جميع المعلومات المصاحبة لدليل السلامة قبل تركيب التلفزيون واستعماله. إذا كان سبب الضرر إخفاق في اتباع هذه التعليمات، لا تنطبق الكفالة عندها.

### التخلص من الأجهزة والبطاريات القديمة

يجري عدم التخلص في حاويات عامة. إذا كنت ترغب في التخلص من منتج أو بطارية، يرجى التفكير في أنظمة أو مرافق تجميع النفايات من أجل إعادة التدوير الملائم.

تنبيه: تشير العلامة Pb أسفل رمز البطاريتين إلى أن هذه البطارية تحتوي على الرصاص.







١. الاستعداد: زر تشغيل/ إيقاف التلفزيون
٢. النص: يعرض الشاشة النصية (حيثما توفرت)، اضغط مرة أخرى لوضع الشاشة النصية على صورة بث عادي (مزج)
٣. إيقاف: يوقف الوسائط الحالية
٤. الشاشة: يغير حجم الشاشة
٥. المصدر: يظهر جميع مصادر البث والمحتوى المتوفرة
٦. القائمة: يعرض قائمة التلفزيون
٧. تبديل: يدور بين القنوات أو المصادر السابقة والحالية بسرعة
٨. إذا تم ضبط وضع الفندق على تشغيل، تؤدي الضغطة على هذا الزر إلى تشغيل أنواع قنوات الشبكة، DVB-T وتناظري، DVB كابل وتناظري، و DVB ساتلايت وتناظري.
٩. أزرار التنقل: يساعد في التنقل بين القوائم، المحتوى، الخ ويعرض الصفحات الفرعية في وضع الشاشة النصية عند الضغط على اليمين أو اليسار
١٠. برنامج -/صفحة - (في وضع TXT)
١١. حجم الصوت -
١٢. الزر الأخضر: اتبع تعليمات الشاشة لوظائف الأزرار الملونة
١٣. الزر الأحمر: اتبع تعليمات الشاشة لوظائف الأزرار الملونة
١٤. الأزرار الرقمية: يبدل القناة، يدخل رقما أو حرفا في مربع النص على الشاشة.
١٥. العناوين الفرعية: تشغيل-إيقاف العنوان الفرعي (حسب التوفر)
١٦. اللغة: يحول بين أوضاع الصوت (التلفزيون التناظري)، يعرض ويغير لغة الصوت/العنوان الفرعي (حيثما توفر، التلفزيون الرقمي)
١٧. الزر الأزرق: اتبع تعليمات الشاشة لوظائف الأزرار الملونة
١٨. الزر الأصفر: اتبع تعليمات الشاشة لوظائف الأزرار الملونة
١٩. حجم الصوت +
٢٠. كتم الصوت: يوقف صوت التلفزيون كليا
٢١. برنامج +/صفحة + (في وضع TXT)
٢٢. عودة للخلف: يعود إلى الشاشة السابقة، يفتح صفحة الفهرس (في وضع الشاشة النصية)
٢٣. موافق: يؤكد اختيارات المستخدم، يبقى الصفحة (في وضع الشاشة النصية)، يعرض قائمة القنوات
٢٤. معلومات: يعرض معلومات عن محتوى الشاشة، يظهر المعلومات المخفية (إظهار - في وضع الشاشة النصية)
٢٥. تشغيل: يبدأ بتشغيل الوسائط المحددة
٢٦. إيقاف مؤقت: يوقف الوسائط الحالية مؤقتا
٢٧. النوم: يضبط تلفزيونك على التوقف تلقائيا
٢٨. دليل البرامج الإلكتروني: يعرض دليل البرامج الإلكتروني

ملاحظة: نطاق التحكم عن بعد هو ٧م/٢٣ قدم تقريبا.

### الشاشة النصية

اضغط على زر **Text** لعرض معلومات التلكست. اضغط مرة أخرى لتفعيل وضع المزج، الذي يسمح لك بمشاهدة صفحة الشاشة النصية وبث التلفزيون في نفس الوقت.. اضغط مرى أخرى للخروج. إذا توفرت، ستصبح صفحات أو أقسام الشاشة النصية مصنفة حسب اللون، ويمكن تحديدها بالضغط على الأزرار الملونة. استخدم إما زر التنقل أو البرنامج +/- لتصفح الصفحات. قد تختلف طريقة التشغيل اعتمادا على محتويات الشاشة النصية. اتبع تعليمات المعروضة على الشاشة.

تم تصميم هذا التلفزيون بميزات لفعالية الطاقة:

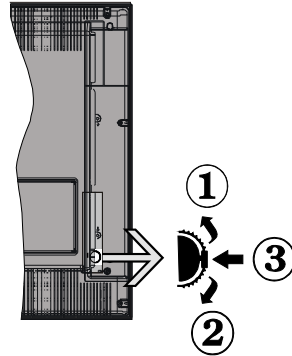
• **توفير الطاقة:** يمكنك تطبيق مزيج من إعدادات توفير الطاقة والصور. أثناء مشاهدة التلفزيون، اضغط على زر القائمة، حتى تتمكن من العثور على إعدادات وضع توفير الطاقة الموجود في قسم 'الصورة' من القائمة الرئيسية.

• **وضع إيقاف الصورة:** إذا أردت الاستماع للصوت من التلفزيون، يمكنك إيقاف العرض. تستمر الوظائف الأخرى بالعمل بشكل طبيعي. أثناء مشاهدة التلفاز، اضغط على زر القائمة واختر الصورة، ومن هناك حدد خيار وضع توفير الطاقة. اضغط على الزر الأيمن أثناء تحديد خيار تلقائي أو الزر الأيسر أثناء تحديد الخيار المخصص. يتم عرض رسالة على الشاشة. اختر متابعة متابعة واضغط على **OK** لإيقاف الشاشة فوراً. إذا لم تضغط على أي زر، تنطفئ الشاشة خلال 15 ثانية. اضغط على أي زر على جهاز التحكم عن بعد أو على التلفزيون للعودة إلى الشاشة مرة أخرى.

• **ملاحظة:** لا يتوفر خيار إيقاف الشاشة إذا كان الوضع معين على ألعاب Game. أفضل التلفزيون من المقيس الرئيسي إذا كنت تنوي عدم استعماله لفترة طويلة.

### زر تصفح التلفزيون

يتيح لك مفتاح التصفح على جانب التلفزيون أن تتحكم بوظائف الصوت وتغيير القنوات وتحويل التلفزيون إلى وضع الاستعداد.



**لتغيير مستوى الصوت:** قم بزيادة حجم الصوت. لعدلاً ريرمتلاب قم بخفض حجم الصوت. لفسلاً ريرمتلاب.

### لتغيير القناة:

• اضغط على منتصف الزر وسوف يظهر مربع معلومات القناة على الشاشة.  
• تنقل عبر القنوات المخزنة بدفع الزر لأعلى أو لأسفل.

### لتغيير المصدر:

• اضغط على منتصف الزر مرتين (لمرة ثانية) وسوف تظهر قائمة المصدر على الشاشة.  
• تنقل عبر المصادر المتوفرة بدفع الزر لأعلى أو لأسفل.

**لتحويل التلفزيون إلى الاستعداد:** اضغط على منتصف الزر باستمرار لبضع ثواني وسوف يتحول التلفزيون إلى وضع الاستعداد.

**لتحويل التلفزيون من الاستعداد:** اضغط على منتصف الزر وسوف يعمل التلفزيون.

ملاحظات:

إذا أوقفت التلفزيون، تعمل الدائرة مرة أخرى بدءاً بعدد مستوى الصوت. لا يمكن عرض القائمة الرئيسية عبر زر التحكم.

### التشغيل / إيقاف

#### لتشغيل التلفزيون

لتشغيل التلفزيون من وضع الاستعداد:

- تقوم بالضغط على زر الاستعداد أو البرنامج +/- أو زر رقمي على وحدة التحكم عن بعد.
- اضغط على مفتاح الوظيفة الجانبي على التلفزيون.

**ملاحظة:** إذا ترك التلفزيون ولم يشغل لبرهة، سيدخل التلفزيون في وضع الاستعداد. عندما تشغل التلفزيون في المرة القادمة، يتم عرض الرسالة التالية: "الاستعداد يسبب عدم وجود إشارة"، اضغط على موافق للمتابعة.

### لتشغيل التلفزيون

• اضغط على منتصف الزر باستمرار لبضع ثواني وسوف يتحول التلفزيون إلى وضع الاستعداد.

**ملاحظة:** لإيقاف طاقة التلفزيون تماماً، أفضل سلك الطاقة من مقبس الطاقة الرئيسية.

### التثبيت لأول مرة

ستشاهد شاشة تحديد اللغة عند تشغيل التلفزيون لأول مرة. حدد اللغة المرغوبة واضغط على موافق.

**ملاحظة:** إذا تم توصيل جهاز USB بالتلفزيون، يمكنك الضغط على الزر الأخضر على وحدة التحكم عن بعد قبل المتابعة لتحميل بيانات NVRAM (قائمة الخدمات، التفضيلات، الخ) من جهاز USB المحدث من تلفزيون فيليبس آخر بالفندق. راجع قسم "النسخ إلى USB" و"النسخ من USB" تحت عنوان وضع الفندق على الصفحات في نهاية هذا الدليل.

إذا كان ملف تحديث البرامج الصحيح مثبت في جهاز USB مسبقاً، يمكنك الضغط على الزر الأحمر على وحدة التحكم عن بعد قبل المتابعة لتحديث برنامج التلفزيون الخاص بك. يجب تسمية ملف تحديث البرنامج "Philips\_upgrade\_mb110.bin" أو "VES162HE\_upgrade.bin".

يمكن إجراء تحديث البرنامج عبر جهاز USB في أي وقت باستخدام مجموعة المفاتيح المخفية "Menu-1-5-0-5".

اضبط تفضيلاتك باستخدام أزرار التنقل وعند الانتهاء، اضغط على **OK** للمتابعة.

يمكنك ضبط تلفزيونك باتباع شاشة التثبيت لأول مرة مع الاختيارات التالية.

### تركيب الهوائي الرقمي

إذا تم تشغيل خيار البحث عن مصدر الهوائي، يبحث التلفزيون عن بث التلفزيون الأرضي الرقمي بعد استكمال الإعدادات الأولية الأخرى.

### تركيب الكابل الرقمي

إذا تم تشغيل خيار البحث عن مصدر الكابل، يبحث التلفزيون عن بث الكابل الرقمي بعد استكمال الإعدادات الأولية الأخرى. قد تظهر رسالة تأكيد قبل بدء البحث تبعاً لتفضيلاتك الأخرى. للتركيب التلقائي في حال كان مزود شبكة الكوابل الخاص بك يدعم التركيب بناءً على معرف الشبكة (مثل Unitymedia)، اختر نعم في الشاشة التالية واضغط على موافق.

إذا كان مزود شبكة الكوابل الخاص بك لا يدعم التركيب بناءً على معرف الشبكة، يرجى اختيار لا؛ اضغط على موافق واتباع التعليمات على الشاشة. يمكنك اختيار نطاقات التردد من هذه الشاشة. أدخل نطاق التردد يدوياً باستخدام الأزرار الرقمية.

**ملاحظة:** تتغير مدة البحث بناءً على خطوة البحث المحددة.

### تركيب جهاز التناظر

إذا تم تشغيل خيار البحث عن المصدر التناظري، يبحث التلفزيون عن البث التناظري بعد استكمال الإعدادات الأولية الأخرى.

يمكنك أيضاً ضبط نوع البث كنوع مفضل لك. سيتم منح الأولوية لنوع البث المحدد أثناء عملية البحث وسيتم إدراج قنواته في أعلى قائمة القنوات. عند الانتهاء، اضغط على زر **OK** للمتابعة.

تتلق شاشة تحديد وضع المنزل/وضع المتجر. يوصى باستخدام وضع المنزل للاستخدام المنزلي.

بعد استكمال الإعدادات الأولية، سيبدأ التلفزيون بالبحث عن مصادر البث المتاحة لأنواع البث المحددة.

بينما يستمر البحث، تظهر رسالة تسأل ما إذا كنت تود ترتيب القنوات حسب رقم القناة المنطقي (\*) اختر نعم واضغط على **OK** للتأكيد.

(\*) LCN هو نظام رقم القناة المنطقي الذي ينظم مصادر البث المتوفرة طبقاً لتسلسل قنوات يمكن تمييزه (إن توفر).

جديد، سيتم إدراجه في قائمة المصادر باسمه الخاص بدلاً من اسم منافذ HDMI الموصولة (مشغل دي في دي، المسجل ١، الخ).

يمكن لجهاز التحكم بالتلفزيون عن بعد تأدية الوظائف الرئيسية بعد اختيار مصدر HDMI الموصول.

لإنهاء هذه العملية والتحكم بالتلفزيون عبر جهاز التحكم عن بعد مرة أخرى، اضغط على زر "Zero-" باستمرار على جهاز التحكم عن بعد لمدة ٣ ثواني. يمكن تمكين هذه الميزة أو تعطيلها تحت قائمة الإعدادات/الإعدادات الأخرى.

يدعم التلفزيون ميزة قناة إعادة الصوت. تعتبر هذه الميزة رابط صوت يهدف لاستبدال الكوابل بين التلفزيون ونظام الصوت (مستقبل الصوت/الصورة أو نظام السماعات).

عندما تكون هذه الميزة نشطة، لا يقوم التلفزيون بكنم صوت مخارج الصوت الأخرى تلقائياً. لذا يتعين عليك خفض صوت التلفزيون إلى صفر يدوياً إذا أردت سمات الصوت من جهاز صوت موصول فقط (مثل مخارج الصوت البصرية أو الصوتية الرقمية المحورية). إذا أردت تغيير مستوى صوت جهاز موصول، يجب أن تختار ذلك الجهاز من قائمة المصادر. في هذه الحالة، يتم توجيه مفاتيح التحكم بالصوت إلى جهاز الصوت الموصول.

ملاحظة: ARC مدعومة فقط عبر مدخل HDMI ١.

### التحكم التلقائي بالنظام

يسمح باستخدام مضخم/مستقبل صوت مع التلفزيون. يمكن تسجيل الصوت باستخدام وحدة التحكم عن بعد للتلفزيون. **لتفعيل هذه الميزة، اضبط خيار السماعات في قائمة النظام-الإعدادات-المزيد على مضخم الصوت.** يتم كتم صوت سماعات التلفزيون ويتم تزويد صوت مصدر المشاهدة من نظام الصوت الموصول.

ملاحظة: يجب أن يدعم جهاز الصوت ميزة التحكم بالصوت ويجب ضبط خيار CEC على ممكن.

### تغيير إعدادات التلفزيون

لاستخدام الخيارات المذكورة أدناه:

١- اضغط على زر القائمة

٢- ميز اختيارك

٣- اضغط على موافق للتأكيد

### خيارات العرض

**الوضع:** يغير وضع الصور إلى أحد الآتي: طبيعي أو ديناميكي، رياضة، (\* ألعاب، سينما

(\* قد لا تتوفر بعض الخيارات بناء على اختيار المصدر الحالي).

**التباين:** يضبط قيم الإضاءة والعتمة للصورة.

**السطوع:** يضبط قيمة السطوع للصورة.

**الحدة:** يضبط قيمة الحدة قد تؤدي قيمة الحدة العالية إلى صورة أوضح بناء على المحتوى.

**اللون:** يضبط قيمة اللون.

**الضوء الخلفي:** يتحكم بسطوع الضوء الخلفي. تكون وظيفة الضوء الخلفي غير نشطة إذا كان توفير الطاقة معين على خيار غير خيار مخصص Custom.

### خيارات الصوت

**حجم الصوت:** يضبط مستوى الصوت.

**المعادل:** يغير وضع المعادل.

**التوازن:** يضبط من أين يأتي الصوت سواء من السماعة اليسرى أو اليمنى. **سماعة الرأس:** يضبط صوت سماعة الرأس. سيكون هذا الخيار غير نشط إذا كان خيار سماعة الرأس/المخرج معين على المخرج.

**وضع الصوت:** يضبط وضع الصوت المفضل.

**AVL:** يعين حداً لإخراج الصوت الأقصى.

بعد تخزين جميع المحطات المتوفرة، سوف يتم عرض نتائج المسح. اضغط على زر **OK** للمتابعة. سيتم عرض قائمة تحرير قائمة القنوات تحرير قائمة القنوات بعد ذلك. اضغط على زر القائمة للخروج من تحرير قائمة القنوات ومشاهدة التلفزيون.

**ملاحظة:** لا توقف التلفزيون بينما تجري التثبيت لأول مرة. قد لا تتوفر بعض الخيارات بناء على اختيار البلد.

### تشغيل ملفات الوسائط من قرص يو أس بي

يمكنك تشغيل ملفات الصور والموسيقى والأفلام المخزنة على قرص USB بتوصيله مع تلفزيونك باستخدام شاشة مستعرض الوسائط. أوصل قرص USB بأحد مداخل USB على جانب التلفزيون. سيتم تمييز جهاز USB تلقائياً بواسطة التلفزيون وسيتم عرض قائمة متصفح الوسائط. يمكنك الوصول إلى قائمة متصفح الوسائط أيضاً من قائمة التلفزيون الرئيسية. اضغط على زر القائمة، حدد متصفح الوسائط من القائمة واضغط على **OK** للتوصيل.

بعد تحديد نوع الوسائط المرغوب من قائمة متصفح الوسائط الرئيسية، سيعمل الضغط على زر القائمة على الوصول إلى خيارات القائمة ألا وهي الصور والصوت والإعدادات. يؤدي الضغط على زر **Menu** مرة أخرى إلى الخروج من هذه الشاشة. يمكن ضبط تفضيلات متصفح الوسائط باستخدام قائمة الإعدادات.

لتمكن ميزة التشغيل التلقائي، ميز هذا الخيار في قائمة الإعدادات واضبط على تشغيل باستخدام أزرار الاتجاهات. عند تمكين هذه الميزة، يكتشف التلفزيون أجهزة USB ويبحث عن ملفات الوسائط.

يتم البحث عن ملفات الصور أولاً. إذا لم يعثر على أي ملفات صور، يبحث البرنامج عن ملفات الفيديو. إذا لم يعثر على أي ملفات فيديو، يبحث البرنامج عن ملفات الصوت.

بعد إيجاد ملف للتشغيل، سيتم اختيار تنسيق هذا الملف كخيار ثابت وسيتم عرض كل ملف بهذا التنسيق في حلقة غير منتهية. يؤدي استخدام وحدة التحكم عن بعد للخروج إلى مقاطعة الملفات وكسر حلقة التشغيل.

عندما يعجز التلفزيون عن إيجاد أي ملفات وسائط، سيتم عرض قائمة مستعرض الوسائط الرئيسية على الشاشة. اضبط أسلوب العرض على Flat لجعل جميع الملفات قابلة للبحث في المجلدات الفرعية في جهاز USB. **ملاحظة:** إذا كان التلفزيون في وضع الاستعداد، لن تكون هذه الميزة متوفرة.

**هام !** اصنع نسخة احتياطية لملفاتك قبل إجراء أية توصيلات مع التلفزيون. لاحظ أن الشركة المصنعة لن تكون مسؤولة عن أي تلف في الملفات أو فقد في البيانات. من المحتمل أن تكون بعض أنواع أجهزة USB (مشغلات MP3 مثلاً) أو أقراص USB الصلبة/أصابع ذاكرة USB غير متوافقة مع هذا التلفزيون.

### قائمة مستعرض الوسائط

تشغيل وضع Loop/Shuffle	
يتم تشغيل جميع ملفات القائمة في الترتيب الأصلي بشكل متواصل.	ابدأ إعادة التشغيل مع زر التشغيل وفعل 
سيتم تشغيل نفس الملف بوضع قلب (تكرار).	ابدأ إعادة التشغيل مع زر التشغيل وفعل 
يتم تشغيل جميع ملفات القائمة في ترتيب عشوائي.	ابدأ إعادة التشغيل مع زر التشغيل وفعل 
يتم تشغيل جميع ملفات القائمة في الترتيب العشوائي نفسه بشكل متواصل.	ابدأ إعادة التشغيل مع زر التشغيل وفعل 

### CEC

تتيح هذه الوظيفة السيطرة على الأجهزة المفعلة بواسطة CEC، التي يتم توصيلها عبر منافذ HDMI.

جب ضبط خيار CEC في قائمة الإعدادات الأخرى تحت قائمة الإعدادات على مفعل أولاً. اضغط على زر المصدر وحدد إدخال HDMI في جهاز CEC الموصول من قائمة المصدر. عند توصيل جهاز مصدر CEC

**سماعة الرأس/مخرج:** يجب ضبط هذا الخيار على سماعة الرأس إذا كان لديك سماعات رأس أو مخرج، إذا كان لديك مضخم خارجي موصول بجك سماعة الرأس.

**الجهاز الديناميكية:** يمكن أو يعطل الجهاز الديناميكية. يزيد نطاق الجهاز. **صوت محيط (صوت محيط):** يمكن تغيير وضع الصوت المحيط كتشغيل أو إيقاف.

**مخرج رقمي:** يضبط نوع الصوت الرقمي الخارجي.

### تكوين إعدادات الأبوين

هذه الميزة مخصصة لتقييد الوصول إلى المحتوى المحدد. يتم التحكم بها بواسطة رقم سري تحدده أنت. توجد هذه الإعدادات في قائمة الإعدادات <الأبوين>.

**ملاحظة:** يمكن ضبط الرقم السري الافتراضي على 0000 أو 1234. إذا قمت بتحديد الرقم السري (يطلب بناء على اختيار البلد) أثناء التثبيت لأول مرة، استخدم الرقم السري الذي حددته.

قد لا تتوفر بعض الخيارات بناء على اختيار البلد في التثبيت لأول مرة.

**قفل القائمة:** يمكن إعداد قفل القائمة أو يعطل استخدام القائمة.

**قفل النضج (اختياري):** عند إعدادها، يحصل هذا الخيار على معلومات النضج من البث وإذا تم تعطيل مستوى النضج هذا، لا يمكن الوصول إلى البث.

**قفل الأطفال (اختياري):** وعند ضبط قفل الأطفال، يمكن التحكم في التلفزيون بواسطة جهاز التحكم عن بُعد. وفي هذه الحالة لن تعمل أزرار لوحة التحكم الإرشاد (اختياري): يمكن هذا الإعداد أو يعطل الوصول إلى بعض تطبيقات MHEG. يمكن تحرير التطبيقات المعطلة بإدخال الرقم السري الصحيح. **ضبط الرقم السري:** يحدد رقم سري جديد.

**رقم CICAM السري الافتراضي:** سيظهر هذا الخيار مظللاً إذا لم يتم إدخال وحدة CD في مدخل CI بالتلفزيون. يمكنك تغيير الرقم السري الافتراضي لـ CI CAM باستخدام هذا الخيار.

### دليل البرامج الإلكتروني

ترسل بعض القنوات معلومات عن جداول بثها. اضغط على زر EPG لعرض قائمة EPG.

هناك 3 أنواع مختلفة من مخططات الجداول، جدول التسلسل الزمني جدول الموقت، جدول القائمة جدول القائمة وجدول الآن/التالي الجدول التالي/الآن. للتبديل بينها، اتبع التعليمات على أسفل الشاشة.

### جدول التسلسل الزمني

**زوم (الزر الأصفر):** اضغط على زر أصفر لمشاهدة الفعاليات في فاصل زمني أوسع

**الفلتر (الزر الأزرق):** يعرض خيارات التنقية.

**تحديد النوع (زر العناوين الفرعية):** يعرض قائمة تحديد النوع تحديد النوع. باستخدام هذه الميزة، يمكنك البحث في قاعدة بيانات دليل البرامج وفق النوع المحدد. يتم البحث في المعلومات المتوفرة في دليل البرامج ويتم عرض النتائج المطابقة لمعاييرك..

**الخيارات (زر OK):** يعرض خيارات الحدث..

**تفاصيل الحدث (زر المعلومات):** يعرض معلومات مفصلة عن الأحداث المحددة.

**اليوم التالي/السابق (أزرار البرنامج +/-):** يعرض أحداث اليوم السابق أو التالي.

**بحث (زر النص):** يعرض قائمة "البحث في الدليل".

**الآن (زر التبديل):** يعرض الحدث الحالي للقناة المميزة.

### جدول القائمة (\*)

(\*) في هذا المخطط، سيتم سرد أحداث القناة المميزة.

**السابق الشريحة الزمنية (الزر الأحمر):** يعرض أحداث الشريحة الزمنية السابقة.

• يمكن أن يسبب المستوى المتدني من الإشارة تشويشاً في الصورة. يرجى فحص توصيل الهوائي.

• تحقق من إدخال التردد الصحيح إذا أجريت المwalفة اليدوية.  
• قد تنخفض جودة الصورة عند توصيل جهازين خارجيين بالتلفزيون معاً. في هذه الحالة، افصل أحد الأجهزة.

### انقطاع الصورة

• هذا يعني أن تلفزيونك لا يتلقى أي بث. تأكد أيضاً من تحديد مصدر الإدخال الصحيح.

• هل الهوائي موصول بشكل صحيح؟

• هل كبل الهوائي تالف؟

• هل تستخدم قابساً مناسباً لتوصيل الهوائي؟

• إذا كان لديك شك، فاستشر البائع.

### انقطاع الصوت

• تفقد إن كان صوت التلفزيون مكتوم. اضغط على زر كتم الصوت أو زد حجم الصوت للفحص.

• ربما يصدر الصوت عن سماعة واحدة فقط. افحص إعدادات التوازن من قائمة الصوت.

### التحكم عن بعد لا يعمل

• ربما تكون البطاريات فارغة. استبدل البطاريات.

### مصادر الإدخال – لا يمكن تحديدها

• إذا لم تقدر على تحديد مصدر دخل، فمن المحتمل أن لا يكون هناك أي جهاز موصل. إن لم يكن الأمر كذلك؛

• افحص كوابل وتوصيلات AV إذا كنت تحاول التحويل إلى مصدر الإدخال المخصص للجهاز الموصول.

اليوم التالي/السابق (أزرار البرنامج +/-): يعرض أحداث اليوم السابق أو التالي.

تفاصيل الحدث (زر المعلومات): يعرض معلومات مفصلة عن الأحداث المحددة.

الفلتر (زر النص): يعرض خيارات التنقية.

الشريحة الزمنية التالية (الزر الأخضر): يعرض أحداث الشريحة الزمنية التالية.

الخيارات (زر OK): يعرض خيارات الحدث..

### جدول الآن/التالي

التنقل (أزرار الاتجاهات): اضغط على أزرار الاتجاهات للتنقل عبر القنوات والأحداث.

الخيارات (زر OK): يعرض خيارات الحدث..

تفاصيل الحدث (زر المعلومات): يعرض معلومات مفصلة عن الأحداث المحددة.

الفلتر (الزر الأزرق): يعرض خيارات التنقية.

### خيارات الحدث

في قائمة دليل البرامج الإلكتروني، اضغط على OK لإدخال قائمة خيارات الأحداث.

تحديد قناة: في قائمة دليل البرامج الإلكتروني، وباستخدام هذا الخيار، يمكنك التحويل إلى القناة المختارة.

اضبط المؤقت على الحدث/ حذف المؤقت على الحدث: بعد أن قمت باختيار حدث في قائمة دليل البرامج الإلكتروني اضغط على موافق. اختر "ضبط المؤقت على الحدث" واضغط على زر OK. يمكنك ضبط مؤقت للأحداث المستقبلية. لإلغاء مؤقت معد سلفاً، ميز ذلك الحدث واضغط على زر موافق. ثم حدد خيار "حذف المؤقت" من خيار الحدث. وسوف يتم إلغاء المؤقت.

### تحديث التلفزيون

تنقل في القائمة الرئيسية، اختر الإعدادات > المزيد، يتم عرض إصدار البرنامج الحالي.

تنبيه: لا تثبت إصداراً أقل من البرنامج من الإصدار الحالي المثبت على جهازك. لا تحمل TP المسؤولية عن المشاكل الناجمة عن خفض إصدار البرنامج.

### التحديث مع USB

قبل تحديث البرنامج، تأكد أن لديك:

- جهاز تخزين USB يحتوي على ٢٥٦ ميغا بايت من مساحة التخزين على الأقل، وتنسيقه FAT٣٢ أو DOS وأن حماية الكتابة معطلة.
- توفر كمبيوتر مع موصل USB وخط إنترنت.

اذهب إلى موقع [www.philips.com/support](http://www.philips.com/support)، واتبع تعليمات تحديث البرنامج.

### التحديث التلقائي من مصدر البث الرقمي

أثناء توصيل التلفزيون بإشارة هوائية، إذا كان المسح التلقائي في قائمة خيارات الترقية مفعلاً، يستيقظ التلفزيون في الساعة ٠٣:٠٠ ويبحث عن قنوات البث من أجل ترقية جديدة للبرامج. إذا تم العثور على برامج جديدة وتم تنزيلها بنجاح يفتح التلفزيون بإصدار جديد للبرامج عند تشغيله في المرة القادمة. لفتح قائمة خيارات التحديث، أدخل قائمة الإعدادات > المزيد، ميز تحديث البرامج واضغط على زر موافق OK.

ملاحظة: بينما يومض الضوء أثناء إعادة التشغيل، لا تنزع تلفزيونك عن الكهرباء. إذا فشل التلفزيون في إعادة التشغيل بعد الترقية، انزع الكهرباء لمدة دقيقتين وأوصلها مرة أخرى.

### العثور على الخلل والنصائح

#### التلفزيون لا يعمل

تأكد أن قابس الكهرباء موصول بشكل محكم في منفذ الجدار. تفقد إن كانت البطاريات فارغة. اضغط على زر الطاقة على التلفزيون.

#### صورة ضعيفة

- هل حددت نظام التلفزيون الصحيح.

البث التلفزيوني	'PAL BG/DK/II SECAM BG/DK			
استقبال القنوات	U) ، HYPERBAND (موجة I/III) ، UHF (موجة VHF			
الاستقبال الرقمي	تلفزيون رقمي أرضي/كابل/متكامل تماما (DVB-T/C/S) (متوافق مع DVB-T2)			
عدد القنوات المضبوطة سلفا	1.000			
مؤشر القناة	On Screen Display			
مدخل هوائي RF	٧٥ أوم (غير متوازن)			
فولطية التشغيل	220-240V AC, 50Hz.			
الصوت	German+Nicam Stereo			
الشاشة	24"	32"	43"	49"
طاقة إخراج الصوت (WRMS) (THD %١٠)	2x2,5W	2x6W	2x8W	2x8W
استهلاك الطاقة (واط)	45W	65W	75W	75W
وزن (كجم)	3,45 kg	5,60 kg	9,30 kg	11,35 kg
أبعاد التلفزيون العمق * الطول * الارتفاع (مع قدم) (مم)	134x554x370 mm	185x735x478 mm	220x974x615 mm	220x1112x692 mm
أبعاد التلفزيون العمق * الطول * الارتفاع (بدون قدم) (مم)	35(min)/61(max)x554x339mm	77(min)/89(max)x735x438mm	64(min)/93(max)x974x572mm	60(min)/91(max)x1112x653mm
درجة حرارة التشغيل ودرجة رطوبة التشغيل:	٠ إلى ٤٠ مئوية، ٨٥٪ رطوبة نسبية كحد أعلى			

الجدول التالي هو توضيح لبعض أوضاع عرض الفيديو.

الفهرس	الدقة	التردد
1	640x350	85 هيرتز
2	640x400	70 هيرتز
3	640x480	60 هيرتز
4	640x480	66 هيرتز
5	640x480	72 هيرتز
6	640x480	75 هيرتز
7	640x480	85 هيرتز
8	800x600	56 هيرتز
9	800x600	60 هيرتز
10	800x600	70 هيرتز
11	800x600	72 هيرتز
12	800x600	75 هيرتز
13	800x600	85 هيرتز
14	832x624	75 هيرتز
15	1024x768	60 هيرتز
16	1024x768	66 هيرتز
17	1024x768	70 هيرتز
18	1024x768	72 هيرتز
19	1024x768	75 هيرتز
20	1024x768	85 هيرتز
21	1152x864	60 هيرتز
22	1152x864	70 هيرتز
23	1152x864	75 هيرتز
24	1152x864	85 هيرتز
25	1152x870	75 هيرتز
26	1280x768	60 هيرتز
27	1360x768	60 هيرتز
28	1280x768	75 هيرتز
29	1280x768	85 هيرتز
30	1280x960	60 هيرتز
31	1280x960	75 هيرتز
32	1280x960	85 هيرتز
33	1280x1024	60 هيرتز
34	1280x1024	75 هيرتز
35	1280x1024	85 هيرتز
36	1400x1050	60 هيرتز
37	1400x1050	75 هيرتز
38	1400x1050	85 هيرتز
39	1440x900	60 هيرتز
40	1440x900	75 هيرتز
41	1600x1200	60 هيرتز
42	1680x1050	60 هيرتز
43	1920x1080	60 هيرتز
44	1920x1200	60 هيرتز

المصدر	الإشارات المدعومة	المتوفرة
EXT (SCART)	PAL	0
	SECAM	0
	NTSC $\epsilon$ , $\epsilon$ 3	0
	NTSC $\epsilon$ , $\epsilon$ 8	0
	60/50 RGB	0
AV الجانبي	PAL	0
	SECAM	0
	NTSC $\epsilon$ , $\epsilon$ 3	0
	NTSC $\epsilon$ , $\epsilon$ 8	0
كمبيوتر إلى YPbPr	60 هيرتز , $\epsilon$ 80i 480p	0
	50 هيرتز , $\epsilon$ 76i 576p	0
	60Hz, 50Hz 720p	0
	60Hz, 50Hz 1080i	0
HDMI	60 هيرتز , $\epsilon$ 80i 480p	0
	50 هيرتز , $\epsilon$ 76i 576p	0
	60Hz, 50Hz 720p	0
	60Hz, 50Hz 1080i	0
	24Hz, 20Hz, 30Hz, 0Hz, 60Hz 1080p	0

## صيغ ملفات الفيديو مدعومة لوضع USB

الامتداد	كود الفيديو	المواصفات (الدقة) ومعدل البت
dat, vob.	٢/MPEG١	Mbps ٤٠ - ٣٠fps@١٠٨٠P
mpg, .mpeg.	MPEG٤ ,٢/MPEG١	
ts, .trp, .tp.	,٢٦٤.H,٢/MPEG١ AVS, MVC	٦٢,٥ - ٦٠fps@١٠٨٠P ,Mbps ٦٢,٥ - ٣٠fps@١٠٨٠Px٢ :٢٦٤.H ٣٠fps@١٠٨٠P :Mbps <b>Other</b> ٦٢,٥ - ٣٠fps@١٠٨٠P :Mbps <b>MVC</b> ٤٠Mbps -
,mov. ,mp٤. ٣gp. ,٣gpp.	,٢/MPEG١ ,٢٦٣.H ,MPEG٤ Motion ,٢٦٤.H JPEG	٦٢,٥ - ٦٠fps@١٠٨٠P ,Mbps ٦٢,٥ - ٣٠fps@١٠٨٠Px٢ :٢٦٤.H :Mbps <b>Other</b> ١٠ - ٣٠fps@٦٤٠x٤٨٠ :Mbps <b>Motion JPEG</b> Mbps ٤٠ - ٣٠fps@١٠٨٠P
avi.	,٢/MPEG١ Sorenson ,MPEG٤ ,٢٦٣.H ,٢٦٣.H ,WMV٣ ,٢٦٤.H Motion JPEG	
mkv.	,٢/MPEG١ ,٢٦٣.H ,MPEG٤ ,WMV٣ ,٢٦٤.H Motion JPEG	
asf.	,٢٦٣.Sorenson H ,WMV٣ ,٢٦٤.H Motion JPEG	
flv.	WMV٣	Mbps ٤٠ - ٣٠fps@١٠٨٠P
swf.	RV٤٠/RV٣٠	Mbps ٤٠ - ٣٠fps@١٠٨٠P
wmv.		
,mov. ,mp٤. ٣gp. ,٣gpp. MPEG transport stream, .ts, .trp, .tp, .mkv	٢٦٥.HEVC/H	٥٠Mbps - ٦٠fps@١٠٨٠P

## صيغ ملفات الصور مدعومة لوضع USB

الصورة	الصور	الدقة (العرض * الطول)	ملاحظة
JPEG	خط الأساس	١٥٣٦٠x٨٦٤٠	يعتمد حد الدقة القصوى على حجم DRAM
	تقدمي	١٠٢٤x٧٦٨	
PNG	بدون تشابك	٩٦٠٠x٦٤٠٠	
	مع تشابك	١٢٠٠x٨٠٠	
BMP		٩٦٠٠x٦٤٠٠	



الامتداد	كود الصوت	معدل البت	معدل العينات
.mp3	١/ MPEG ٢ طبقة ١	٤٤٨Kbps ~ ٣٢Kbps	١٦ كيلوهرتز ~ ٤٨ كيلوهرتز
	٢/ MPEG ١ طبقة ٢	٣٨٤Kbps ~ ٨Kbps	
	٣/ MPEG ١ طبقة ٣	٣٢٠Kbps ~ ٨Kbps	
.avi	١/ MPEG ٢ طبقة ١	٤٤٨Kbps ~ ٣٢Kbps	١٦ كيلوهرتز ~ ٤٨ كيلوهرتز
	٢/ MPEG ١ طبقة ٢	٣٨٤Kbps ~ ٨Kbps	
	٣/ MPEG ١ طبقة ٣	٣٢٠Kbps ~ ٨Kbps	
	AC٣	٦٤٠Kbps ~ ٣٢Kbps	٣٢ كيلوهرتز, ٤٤,١ كيلوهرتز, ٤٨ كيلوهرتز
	AAC, HEAAC		٨ كيلوهرتز ~ ٤٨ كيلوهرتز
	WMA	٣٢٠Kbps ~ ١٢٨bps	٨ كيلوهرتز ~ ٤٨ كيلوهرتز
	Pro M٠ ١٠ WMA	> ١٩٢ كيلوبت في الثانية	٤٨KHz
	Pro M١ ١٠ WMA	> ٣٨٤ كيلوبت في الثانية	٤٨KHz
	Pro M٢ ١٠ WMA	> ٧٦٨ كيلوبت في الثانية	٩٦KHz
	LPCM	١,٥Mbps ~ ٦٤Kbps	٨ كيلوهرتز ~ ٤٨ كيلوهرتز
	IMA-ADPCM, MS-ADPCM	٣٨٤Kbps	٨ كيلوهرتز ~ ٤٨ كيلوهرتز
A/mu-law G٧١١	١٢٨Kbps ~ ٦٤Kbps	٨ كيلوهرتز	
.asf	١/ MPEG ٢ طبقة ١	٤٤٨Kbps ~ ٣٢Kbps	١٦ كيلوهرتز ~ ٤٨ كيلوهرتز
	٢/ MPEG ١ طبقة ٢	٣٨٤Kbps ~ ٨Kbps	
	٣/ MPEG ١ طبقة ٣	٣٢٠Kbps ~ ٨Kbps	
	WMA	٣٢٠Kbps ~ ١٢٨bps	٨ كيلوهرتز ~ ٤٨ كيلوهرتز
	Pro M٠ ١٠ WMA	> ١٩٢ كيلوبت في الثانية	٤٨KHz
	Pro M١ ١٠ WMA	> ٣٨٤ كيلوبت في الثانية	٤٨KHz
	Pro M٢ ١٠ WMA	> ٧٦٨ كيلوبت في الثانية	٩٦KHz
.mkv, .mka	١/ MPEG ٢ طبقة ١	٤٤٨Kbps ~ ٣٢Kbps	١٦ كيلوهرتز ~ ٤٨ كيلوهرتز
	٢/ MPEG ١ طبقة ٢	٣٨٤Kbps ~ ٨Kbps	
	٣/ MPEG ١ طبقة ٣	٣٢٠Kbps ~ ٨Kbps	
	AC٣	٦٤٠Kbps ~ ٣٢Kbps	٣٢ كيلوهرتز, ٤٤,١ كيلوهرتز, ٤٨ كيلوهرتز
	AAC, HEAAC		٨ كيلوهرتز ~ ٤٨ كيلوهرتز
	WMA	٣٢٠Kbps ~ ١٢٨bps	٨ كيلوهرتز ~ ٤٨ كيلوهرتز
	Pro M٠ ١٠ WMA	> ١٩٢ كيلوبت في الثانية	٤٨KHz
	Pro M١ ١٠ WMA	> ٣٨٤ كيلوبت في الثانية	٤٨KHz
	Pro M٢ ١٠ WMA	> ٧٦٨ كيلوبت في الثانية	٩٦KHz
	VORBIS		٤٨KHz Up to
	LPCM	١,٥Mbps ~ ٦٤Kbps	٨ كيلوهرتز ~ ٤٨ كيلوهرتز
	IMA-ADPCM, MS-ADPCM	٣٨٤Kbps	٨ كيلوهرتز ~ ٤٨ كيلوهرتز
	A/mu-law G٧١١	١٢٨Kbps ~ ٦٤Kbps	٨ كيلوهرتز
FLAC	> ١,٦ ميغابت في الثانية	٨ كيلوهرتز - ٩٦ كيلوهرتز	
.ts, .trp, .tp, .dat, .vob, .mpg, .mpeg	١/ MPEG ٢ طبقة ١	٤٤٨Kbps ~ ٣٢Kbps	١٦ كيلوهرتز ~ ٤٨ كيلوهرتز
	٢/ MPEG ١ طبقة ٢	٣٨٤Kbps ~ ٨Kbps	
	٣/ MPEG ١ طبقة ٣	٣٢٠Kbps ~ ٨Kbps	
	AC٣	٦٤٠Kbps ~ ٣٢Kbps	٣٢ كيلوهرتز, ٤٤,١ كيلوهرتز, ٤٨ كيلوهرتز
	EAC٣	٦Mbps ~ ٣٢Kbps	٣٢ كيلوهرتز, ٤٤,١ كيلوهرتز, ٤٨ كيلوهرتز
	AAC, HEAAC		٨ كيلوهرتز ~ ٤٨ كيلوهرتز
	LPCM	١,٥Mbps ~ ٦٤Kbps	٨ كيلوهرتز ~ ٤٨ كيلوهرتز

الامتداد	كود الصوت	معدل البت	معدل العينات
wav.	١/MPEG ٢ طبقة ١	٤٤٨Kbps ~ ٣٢Kbps	١٦ كيلوهرتز ~ ٤٨ كيلوهرتز
	٢/MPEG ٢ طبقة ٢	٣٨٤Kbps ~ ٨Kbps	
	٣/MPEG ٢ طبقة ٣	٣٢٠Kbps ~ ٨Kbps	
	LPCM	١,٥Mbps ~ ٦٤Kbps	٨ كيلوهرتز ~ ٤٨ كيلوهرتز
	,IMA-ADPCM MS-ADPCM	٣٨٤Kbps	٨ كيلوهرتز ~ ٤٨ كيلوهرتز
	A/mu-law G٧١١	١٢٨Kbps ~ ٦٤Kbps	٨ كيلوهرتز
,٣gpp. ٣gp.. ,.mp٤ mov, .m٤a.	٢/MPEG ٢ طبقة ٣	٣٢٠Kbps ~ ٨Kbps	١٦ كيلوهرتز ~ ٤٨ كيلوهرتز
	AC٣	٦٤٠Kbps ~ ٣٢Kbps	٤٨ كيلوهرتز, ٤٤,١ كيلوهرتز, ٤٨ كيلوهرتز
	EAC٣	٦Mbps ~ ٣٢Kbps	٤٨ كيلوهرتز, ٤٤,١ كيلوهرتز, ٤٨ كيلوهرتز
	AAC, HEAAC		٨ كيلوهرتز ~ ٤٨ كيلوهرتز
	VORBIS		٤٨KHz Up to
	LPCM	١,٥Mbps ~ ٦٤Kbps	٨ كيلوهرتز ~ ٤٨ كيلوهرتز
	,IMA-ADPCM MS-ADPCM	٣٨٤Kbps	٨ كيلوهرتز ~ ٤٨ كيلوهرتز
	A/mu-law G٧١١	١٢٨Kbps ~ ٦٤Kbps	٨ كيلوهرتز
flv.	٢/MPEG ٢ طبقة ٣	٣٢٠Kbps ~ ٨Kbps	١٦ كيلوهرتز ~ ٤٨ كيلوهرتز
	AAC, HEAAC		٨ كيلوهرتز ~ ٤٨ كيلوهرتز
ac٣.	AC٣	٦٤٠Kbps ~ ٣٢Kbps	٤٨ كيلوهرتز, ٤٤,١ كيلوهرتز, ٤٨ كيلوهرتز
	AAC, HEAAC		٨ كيلوهرتز ~ ٤٨ كيلوهرتز
swf.	٢/MPEG ٢ طبقة ٣	٣٢٠Kbps ~ ٨Kbps	١٦ كيلوهرتز ~ ٤٨ كيلوهرتز
ec٣.	EAC٣	٦Mbps ~ ٣٢Kbps	٣٢ كيلوهرتز, ٤٤,١ كيلوهرتز, ٤٨ كيلوهرتز
	AAC, HEAAC		٨ كيلوهرتز ~ ٤٨ كيلوهرتز
rm, .rmvb, .ra	AAC, HEAAC		٨ كيلوهرتز ~ ٤٨ كيلوهرتز
	(LBR (cook	١٢٨Kbps ~ ٦Kbps	٨ كيلوهرتز, ١١,٠٢٥ كيلوهرتز, ٢٢,٠٥ كيلوهرتز, ٤٤,١ كيلوهرتز
wma, .wmv	WMA	٣٢٠Kbps ~ ١٢٨bps	٨ كيلوهرتز ~ ٤٨ كيلوهرتز
	Pro M٠ ١٠ WMA	> ١٩٢ كيلوبت في الثانية	٤٨KHz
	Pro M١ ١٠ WMA	> ٣٨٤ كيلوبت في الثانية	٤٨KHz
	Pro M٢ ١٠ WMA	> ٧٦٨ كيلوبت في الثانية	٩٦KHz
webm.	VORBIS		٤٨KHz Up to

## صيغ ملفات العنوان الفرعي مدعومة لوضع USB

العناوين الفرعية الداخلية		
الامتداد	مستوعب	رمز العنوان الفرعي
dat, mpg, mpeg, vob	MPG, MPEG	العنوان الفرعي لـ DVD
ts, trp, tp	TS	العنوان الفرعي لـ DVB
mp٤	MP٤	العنوان الفرعي لـ DVB ٨-UTF نص فقط
mkv	MKV	ASS SSA ٨-UTF نص فقط VobSub العنوان الفرعي لـ DVD
العناوين الفرعية الخارجية		
الامتداد	محلل العنوان الفرعي	ملاحظة
srt.	Subrip	
ssa/ .ass.	ألفا المحطة الفرعية	
smi.	SAMI	
sub.	العروض الفرعية MicroDVD نظام العنوان الفرعي لـ DVD (SubIdx (VobSub	العروض الفرعية ١,٠ & ٢,٠ فقط
txt.	TMPlayer	



All registered and unregistered trademarks are the property of their respective owners.  
Specifications are subject to change without notice.  
Philips and the Philips' shield emblem are registered trademarks of Koninklijke Philips N.V.  
and are used under license from Koninklijke Philips N.V.  
2016© TP Vision Europe B.V.All rights reserved.

